

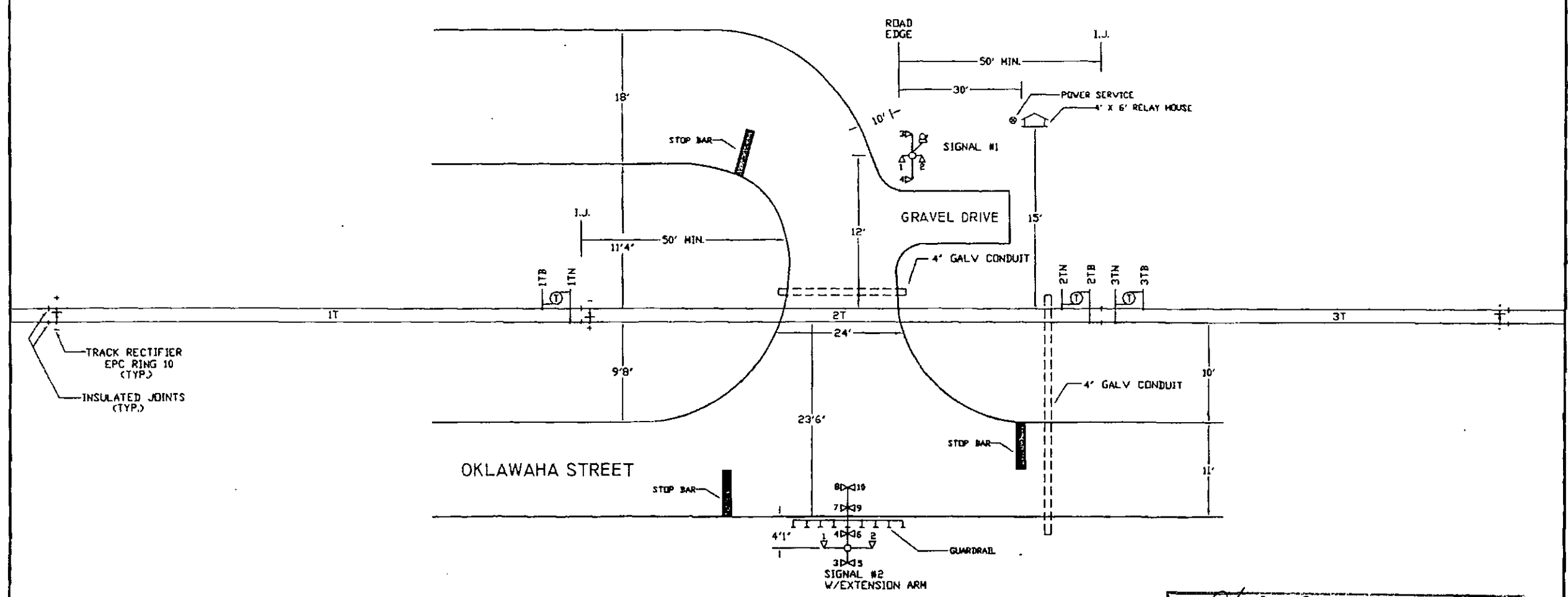
2011 NOV -2 AM 9:51
 PA.P.U.C.
 SECRETARY'S BUREAU

NORTH

SOUTH

START 440'
 30 SECS. @ 10 MPH

START 440'
 30 SECS. @ 10 MPH



A-2011-
 225 7880

TRACK RECTIFIER
 EPC RING 10
 (TYP.)
 INSULATED JOINTS
 (TYP.)

OKLAWAHA STREET

NOTES:

1. MATERIAL & INSTALLATION TO BE IN ACCORDANCE WITH MUTCD, STATE AND RAILROAD STANDARDS.
2. ALL DIMENSIONS ARE APPROXIMATE AND MAY VARY DUE TO ACTUAL FIELD CONDITIONS.
3. ALL FLASHING LIGHT SIGNALS TO BE LIGHT EMITTING DIODE (LED) ASSEMBLIES.
4. Ⓣ DENOTES TWIST PAIR.

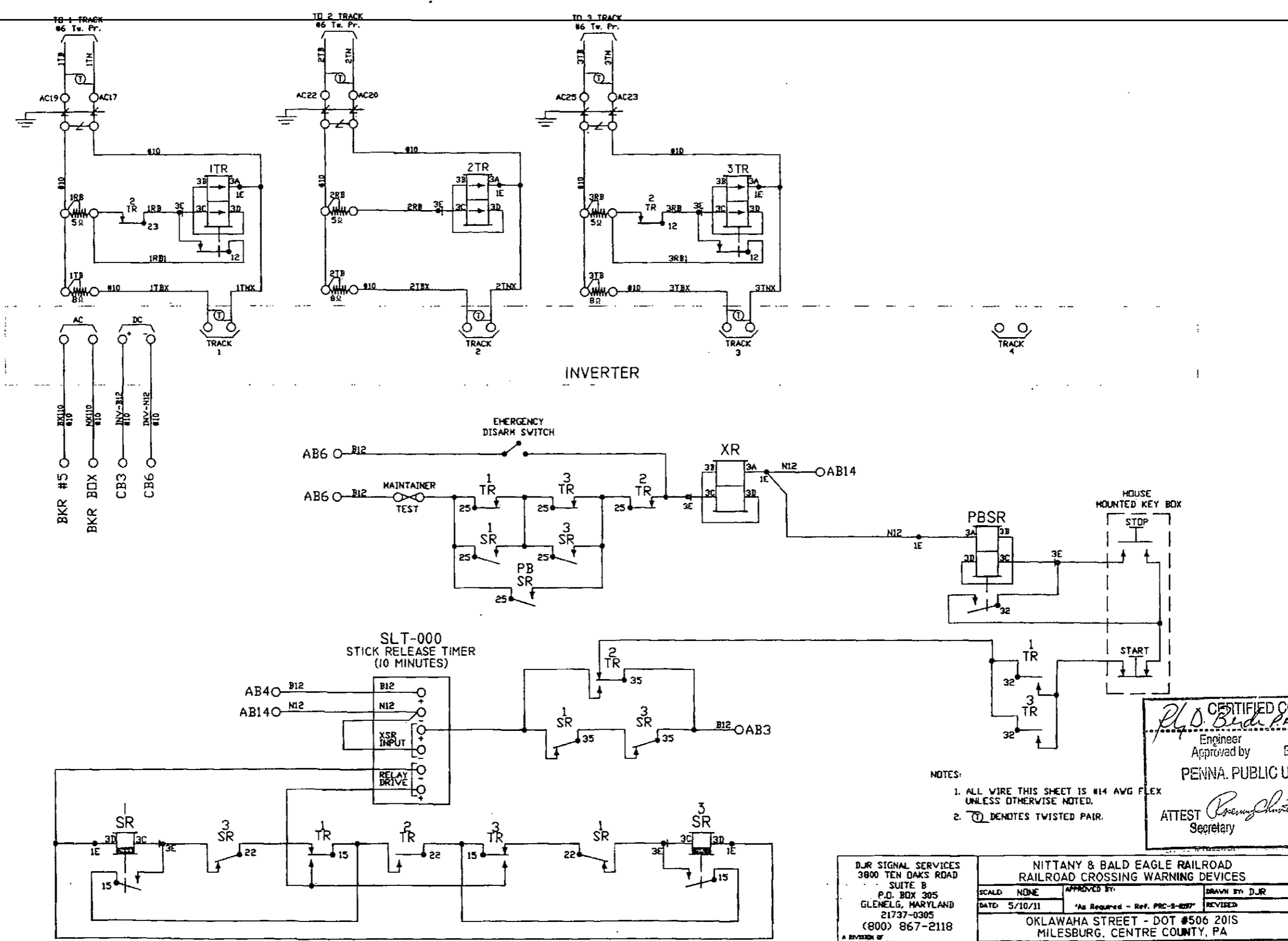
CABLE RUN TABULATION

HOUSE TO SIGNAL # 1	- 5/C #6 UG CABLE
HOUSE TO SIGNAL # 2	- 5/C #6 UG CABLE
HOUSE TO POWER SERVICE	- 3/C #9 UG CABLE
HOUSE TO 1TN & 1TB	- #6 TW. PAIR UG CABLE
HOUSE TO 2TN & 2TB	- #6 TW. PAIR UG CABLE
HOUSE TO 3TN & 3TB	- #6 TW. PAIR UG CABLE

CERTIFIED CORRECT PLANS
Ph.D. Benda P.E.
 Engineer
 Approved by Bureau of Transportation & Safety
 PENNA. PUBLIC UTILITY COMMISSION
 ATTEST *Rebecca Shewette*
 Secretary

DJR SIGNAL SERVICES
 3800 TEN OAKS ROAD
 SUITE 3
 P.O. BOX 305
 GLENELG, MARYLAND
 21737-0305
 (800) 867-2118
 A DIVISION OF
PROGRESS
 RAILSERVICES

NITTANY & BALD EAGLE RAILROAD RAILROAD CROSSING WARNING DEVICES		DRAWN BY: DJR
SCALE: NONE	APPROVED BY:	REVISIONS
DATE: 5/10/11	"As Required - Ref. PRC-S-0197"	
OKLAWAHA STREET - DOT #506 20IS MILESBERG, CENTRE COUNTY, PA		DRAWING NUMBER
TRACK & CABLE PLAN		31.30



INVERTER

EMERGENCY DISARM SWITCH

SLT-000 STICK RELEASE TIMER (10 MINUTES)

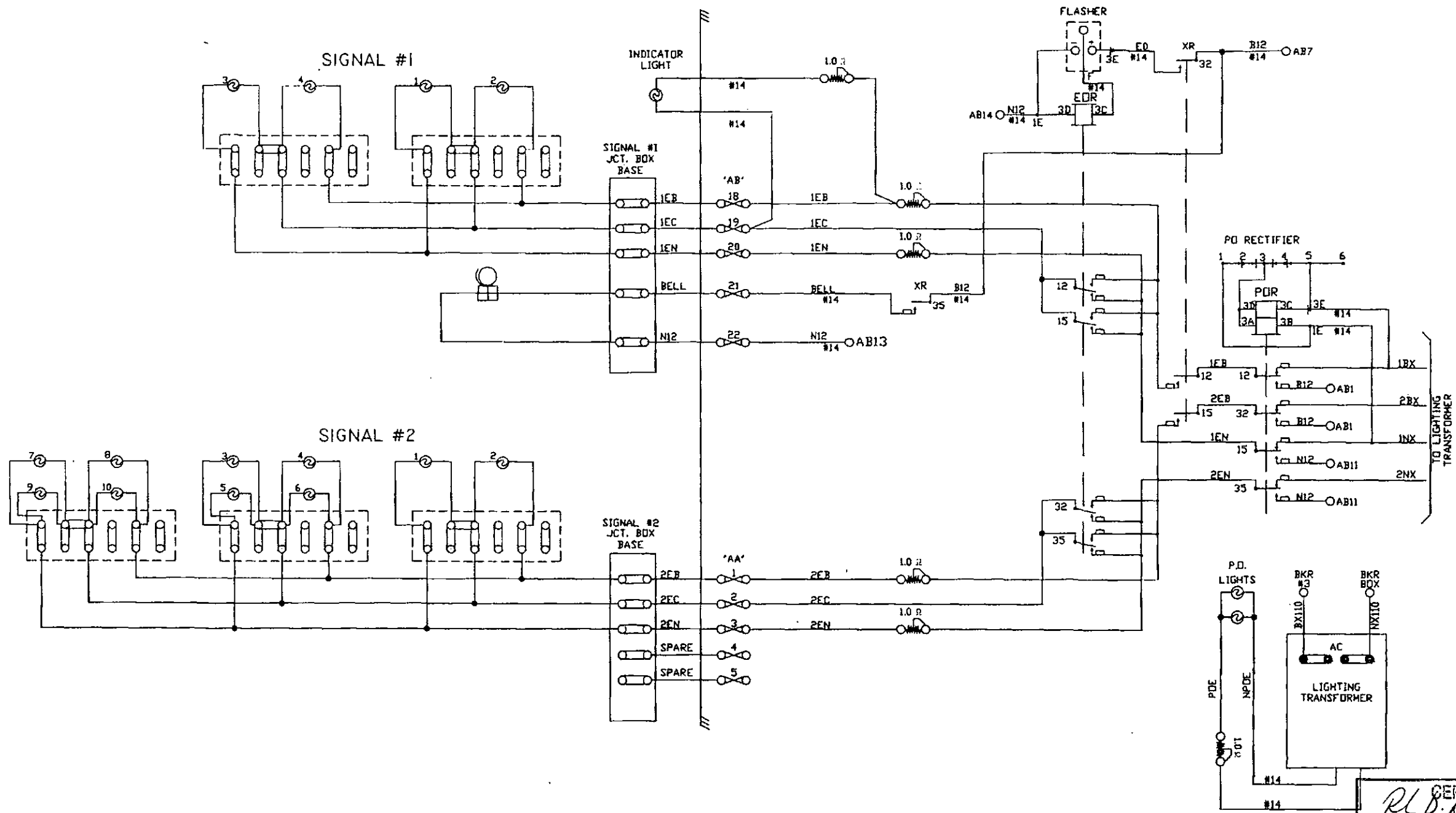
HOUSE MOUNTED KEY BOX

- NOTES:
1. ALL WIRE THIS SHEET IS #14 AVG FLEX UNLESS OTHERWISE NOTED.
 2. (T) DENOTES TWISTED PAIR.

CERTIFIED CORRECT PLANS
P.D. Berch PA.
 Engineer
 Approved by Bureau of Transportation & Safety
PENNA. PUBLIC UTILITY COMMISSION
 ATTEST *Boeing Shultz*
 Secretary

DJR SIGNAL SERVICES
 3800 TEN OAKS ROAD
 SUITE B
 P.O. BOX 305
 GLENELG, MARYLAND
 21737-0305
 (800) 867-2118
PROGRESS RAILSERVICES

NITTANY & BALD EAGLE RAILROAD RAILROAD CROSSING WARNING DEVICES	
SCALE: NONE	APPROVED BY: _____
DATE: 5/10/11	'As Required - Ref. PRC-5-6297'
OKLAWAHA STREET - DOT #506 201S MILESBURG, CENTRE COUNTY, PA	
CIRCUIT PLAN 'A'	DRAWING NUMBER 31.30

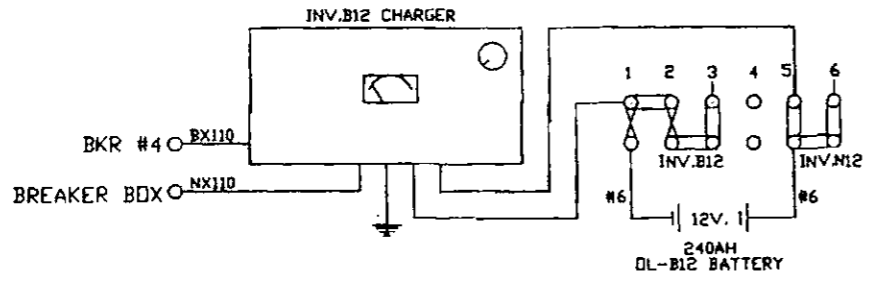


NOTE:
ALL WIRE THIS SHEET IS #10 AVG. FLEX
UNLESS OTHERWISE NOTED.

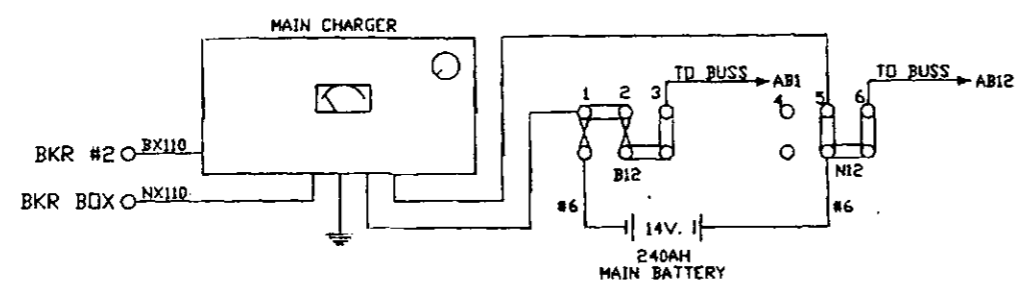
CERTIFIED CORRECT PLANS
R. D. Bush, P.E.
 Engineer
 Approved by
 PENNA. PUBLIC UTILITY COMMISSION
 Bureau of Transportation & Safety
 ATTEST *Robert J. ...*
 Secretary

DJR SIGNAL SERVICES 3800 TEN OAKS ROAD SUITE B P.O. BOX 305 GLENELG, MARYLAND 21737-0305 (800) 867-2118		NITTANY & BALD EAGLE RAILROAD RAILROAD CROSSING WARNING DEVICES	
SCALE: NONE	APPROVED BY:	DRAWN BY: DJR	
DATE: 5/10/11	'As Required - Ref. PRC-S-0197'	REVISED	
OKLAWAHA STREET - DOT #506 201S MILESBERG, CENTRE COUNTY, PA		DRAWING NUMBER	
CIRCUIT PLAN 'B'		31.30	

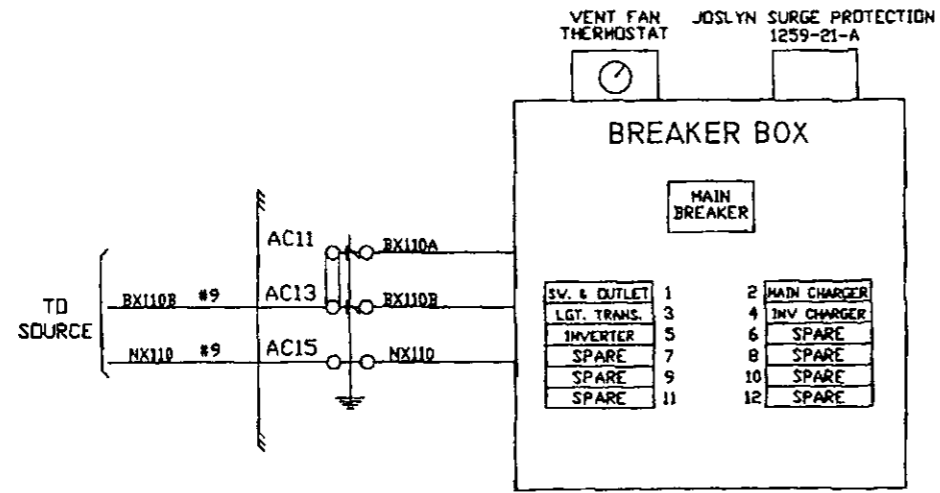
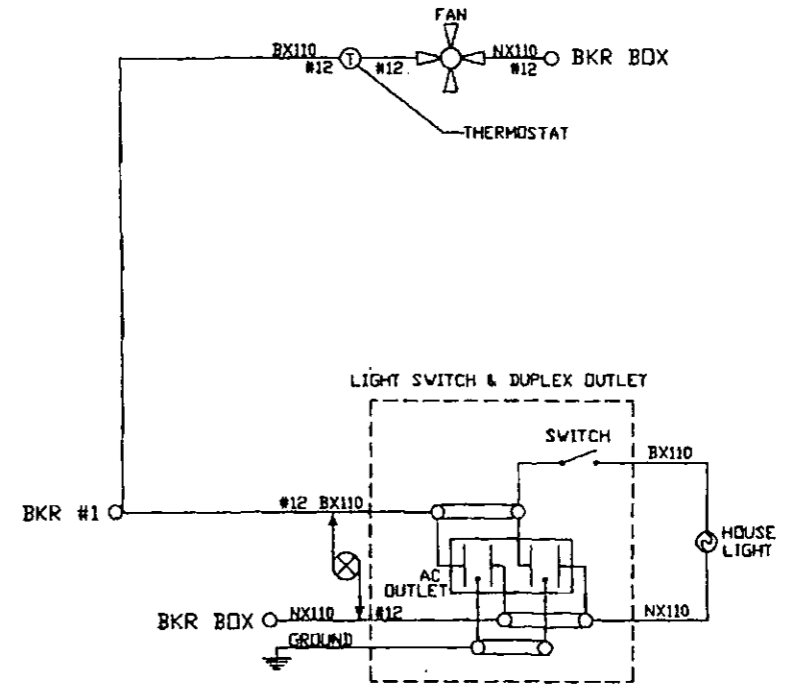




"CB"



"BB"



NOTE:
ALL WIRE THIS SHEET IS #10 AWG FLEX
UNLESS OTHERWISE NOTED.

CERTIFIED CORRECT PLANS
R. S. B...
 Engineer
 Approved by Bureau of Transportation & Safety
 PENNA. PUBLIC UTILITY COMMISSION
 ATTEST *R...*
 Secretary

DJR SIGNAL SERVICES
 3800 TEN OAKS ROAD
 SUITE B
 P.O. BOX 305
 GLENELG, MARYLAND
 21737-0305
 (800) 867-2118
 A DIVISION OF
PROGRESS
 RAILSERVICES

NITTANY & BALD EAGLE RAILROAD
 RAILROAD CROSSING WARNING DEVICES
 SCALE: NONE
 DATE: 5/10/11
 APPROVED BY:
 'As Required - Ref. PRC-S-0197'
 OKLAWAHA STREET - DOT #506 201S
 MILESBURG, CENTRE COUNTY, PA
 DRAWING NUMBER
 31.30

SIDE "A"

SIDE "B"

SIDE "C"

