

WEST APPROACH
725'

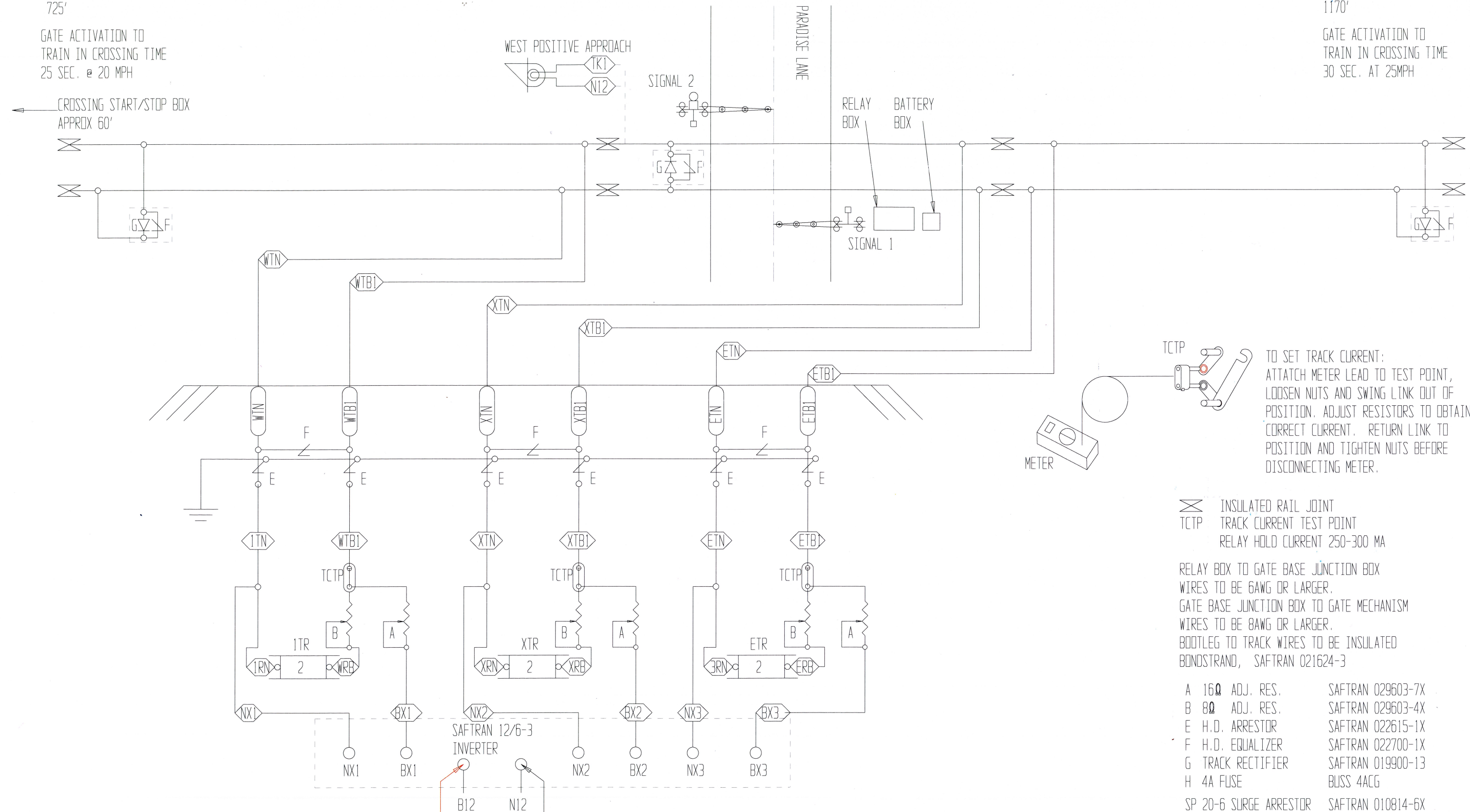
CROSSING LENGTH 117'

EAST APPROACH
1170'

GATE ACTIVATION TO
TRAIN IN CROSSING TIME
25 SEC. @ 20 MPH

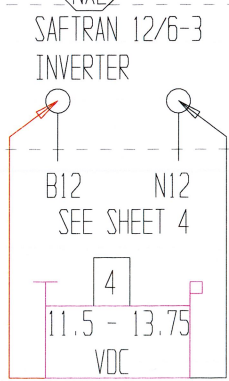
GATE ACTIVATION TO
TRAIN IN CROSSING TIME
30 SEC. AT 25MPH

CROSSING START/STOP BOX
APPROX 60'



TO SET TRACK CURRENT:
ATTACH METER LEAD TO TEST POINT,
LOOSEN NUTS AND SWING LINK OUT OF
POSITION. ADJUST RESISTORS TO OBTAIN
CORRECT CURRENT. RETURN LINK TO
POSITION AND TIGHTEN NUTS BEFORE
DISCONNECTING METER.

- ⊗ INSULATED RAIL JOINT
- TCTP TRACK CURRENT TEST POINT
- RELAY HOLD CURRENT 250-300 MA
- RELAY BOX TO GATE BASE JUNCTION BOX
WIRES TO BE 6AWG OR LARGER.
- GATE BASE JUNCTION BOX TO GATE MECHANISM
WIRES TO BE 8AWG OR LARGER.
- BOOTLEG TO TRACK WIRES TO BE INSULATED
BONDSTRAND, SAFTRAN 021624-3
- A 16Ω ADJ. RES. SAFTRAN 029603-7X
- B 8Ω ADJ. RES. SAFTRAN 029603-4X
- E H.D. ARRESTOR SAFTRAN 022615-1X
- F H.D. EQUALIZER SAFTRAN 022700-1X
- G TRACK RECTIFIER SAFTRAN 019900-13
- H 4A FUSE BUSS 4ACG
- SP 20-6 SURGE ARRESTOR SAFTRAN 010814-6X



REVISIONS		DATE	BY	STRASBURG RAIL ROAD	
FINAL		08/12/15	SSW	DESCRIPTION: PARADISE LANE CROSSING SHEET 1	
				PART NAME: TRACK CIRCUIT	LAYOUT NAME: PARADISELANE1
				DRAWN BY: SPS	DATE: 05 AUG 2015