

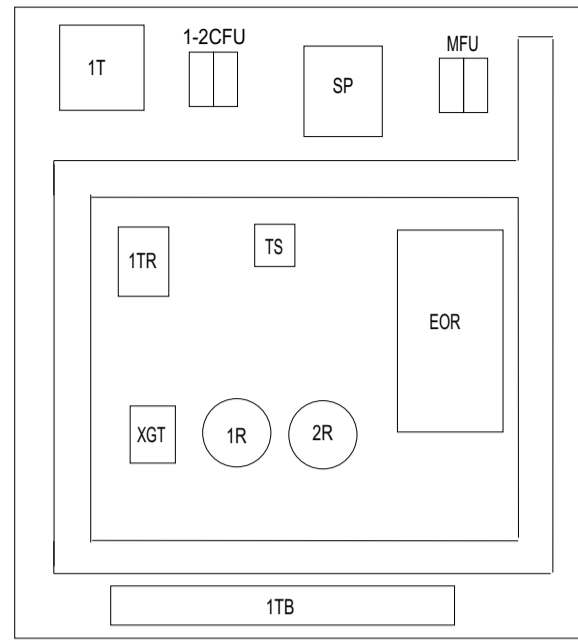
** INCLUDE DRAWING 37-1050-40 WITH THIS SET **

WESTERN-CULLEN-HAYES, INC.
 2700 W. 36TH PLACE CHICAGO, IL 60632
 773-254-9600 FAX: 773-254-1110

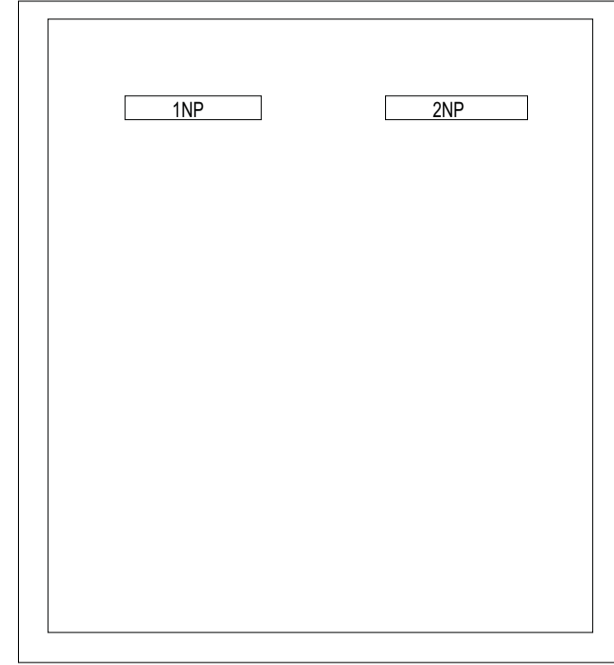
TITLE:
 ISLAND AC/DC TRACK CIRCUIT CONTROL
 FOR 2 MODEL 10 GATES AND SIGNALS

DRAWN BY:	DATE:	ECO:	REV:		
BW	11-8-94	7010	B		1 OF 2

PART NO: 37-1001-200-G REV:



CONTROL ENCLOSURE SUB PANEL LAYOUT



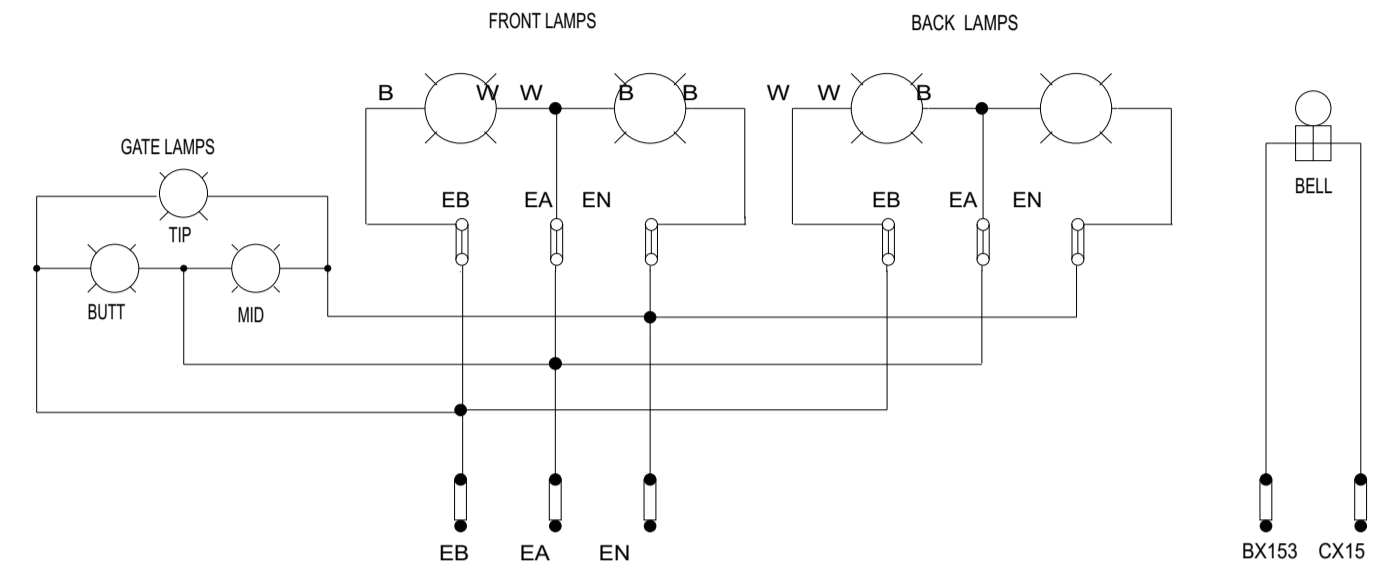
CONTROL ENCLOSURE LAYOUT
NEMA 4, 36 X 30 X 10

NAMEPLATE AND LEGEND ENGRAVING

1NP - WESTERN-CULLEN-HAYES
2NP - 115 VAC, 1 PHASE, 60 HZ

LEGEND

- TERMINAL AT 1TB
- SIGNAL BASE
- SIGNAL LAMP ARM

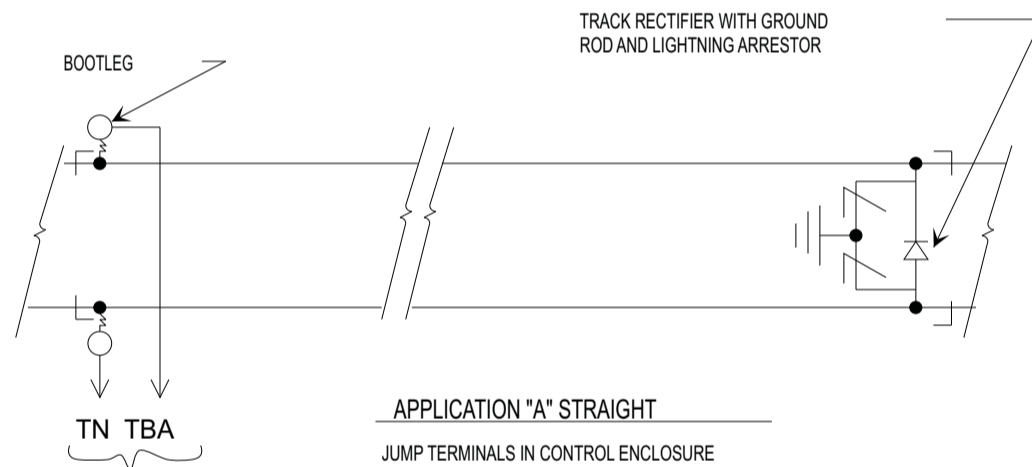


TYPICAL MODEL 10 SIGNAL LAMP AND BELL WIRING

1TB

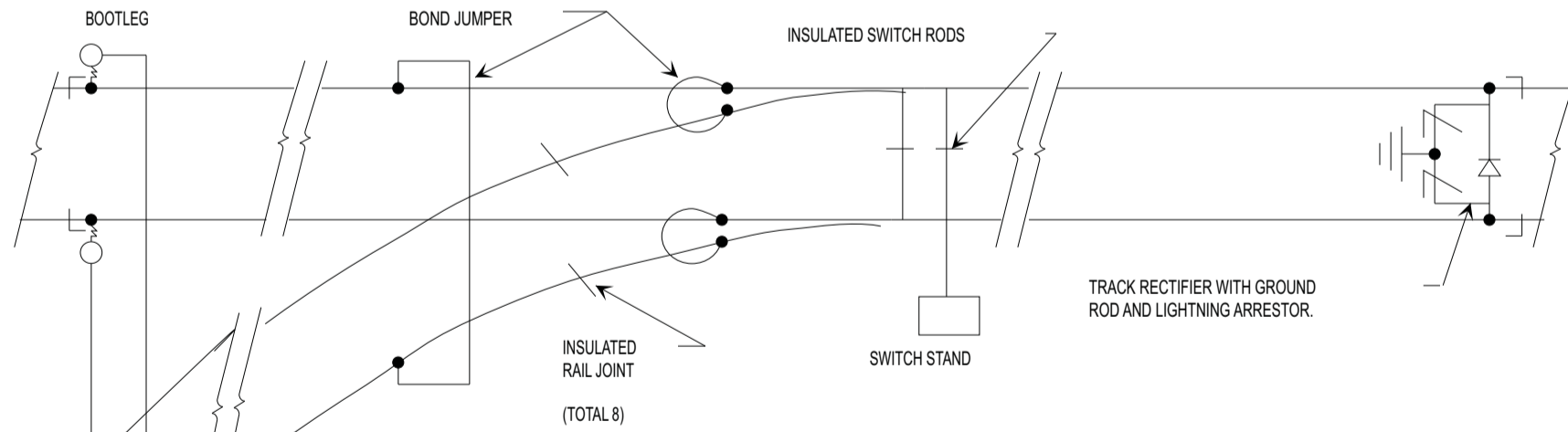
| TN | G | TBA | RTB | G | RTN | BX153 | CX151 | EBF1 | EA |

| ENF1 | EBF2 | EA1 | ENF2 | 101-A | 103-A | 101-B | 103-B | X1 | X2 | G |



APPLICATION "A" STRAIGHT

JUMP TERMINALS IN CONTROL ENCLOSURE
TN TO RTN AND TBA TO RTB. CONNECT TN
AND TBA TO TRACK AS SHOWN.

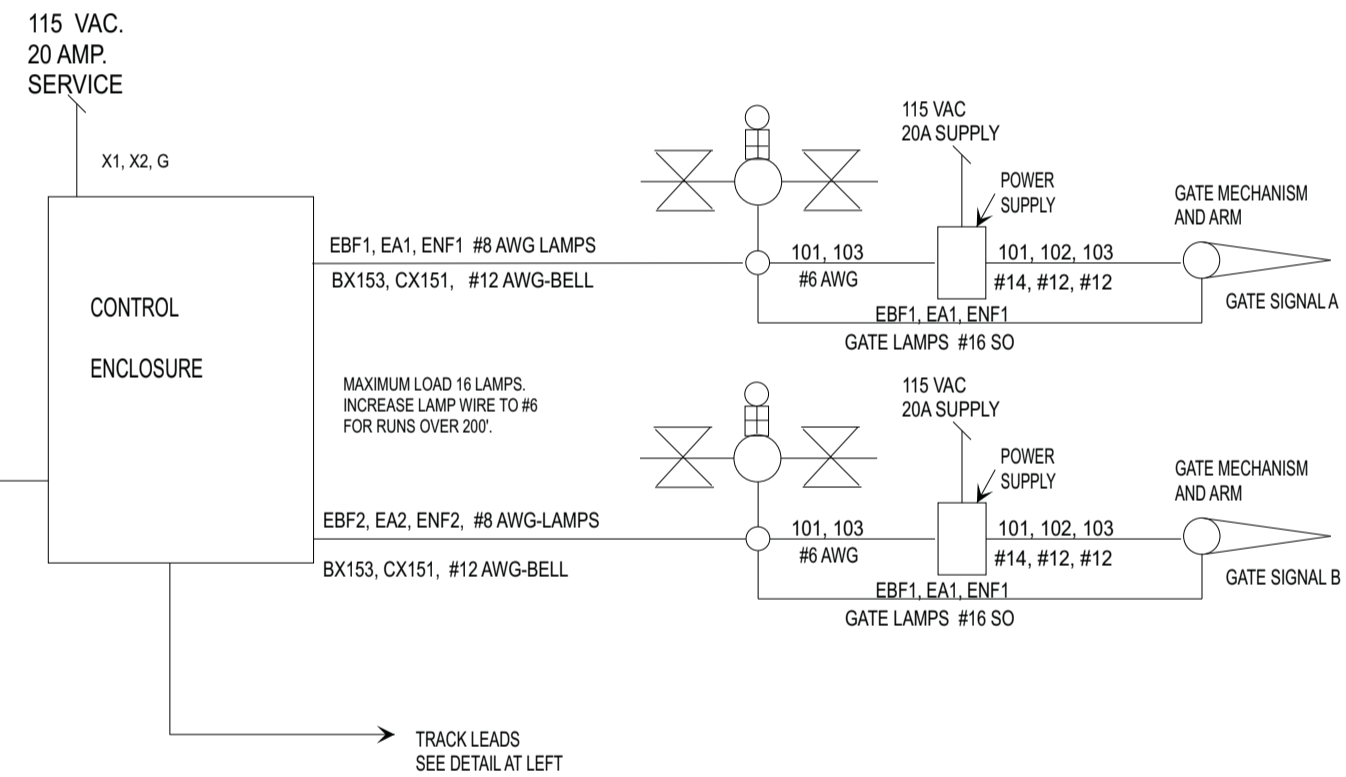


APPLICATION "B" TURNOUT

CONNECT TO TERMINALS IN
CONTROL ENCLOSURE AS SHOWN

NOTES

1. ALL TRACK & FROG BONDING BY OTHERS.
2. INSULATED JOINTS BY OTHERS.
3. TRACKS MUST BE ISOLATED FROM EACH OTHER. (NO STEEL TIES)
4. ALL GAUGE RODS MUST BE INSULATED. (AS REQUIRED)
5. INSTALLATION BY OTHERS.
6. AVOID TRACK BEING AT LOW GRADE OR WHERE STANDING WATER MAY EXIST.



TYPICAL ELECTRICAL RISER DIAGRAM

** INCLUDE DRAWING 3593-I-FWD WITH THIS SET **

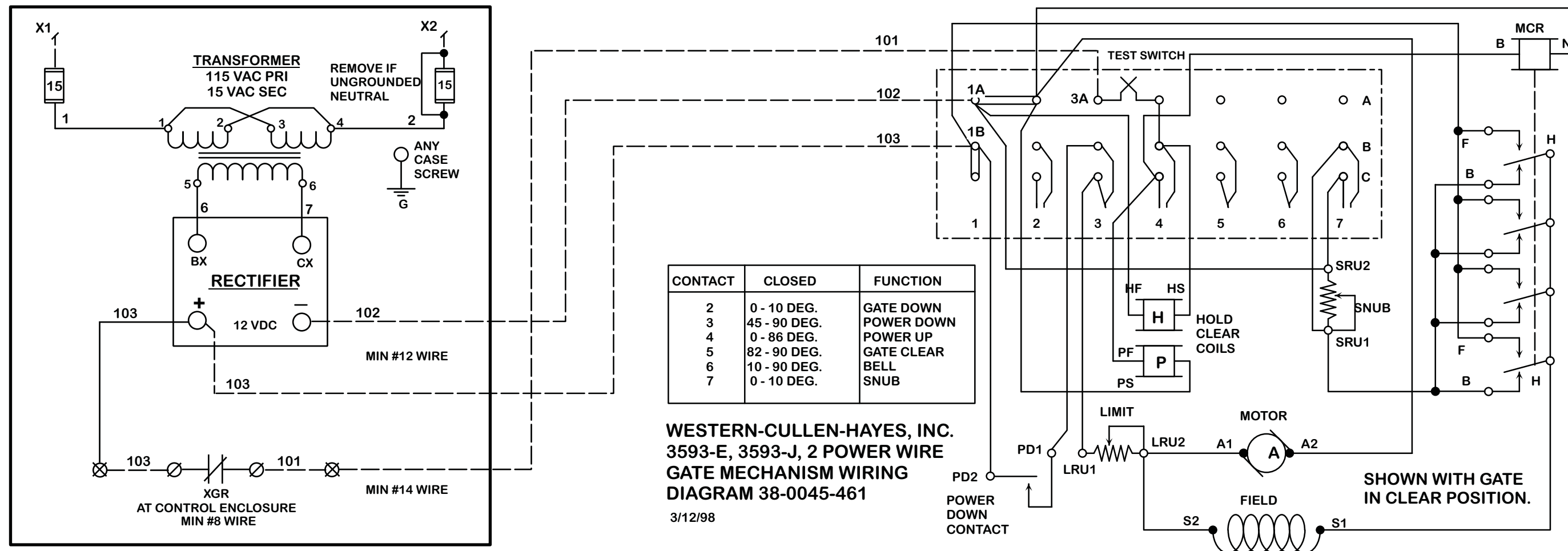
WESTERN-CULLEN-HAYES, INC.

2700 W. 36TH PLACE CHICAGO, IL 60632
773-254-9600 FAX: 773-254-1110

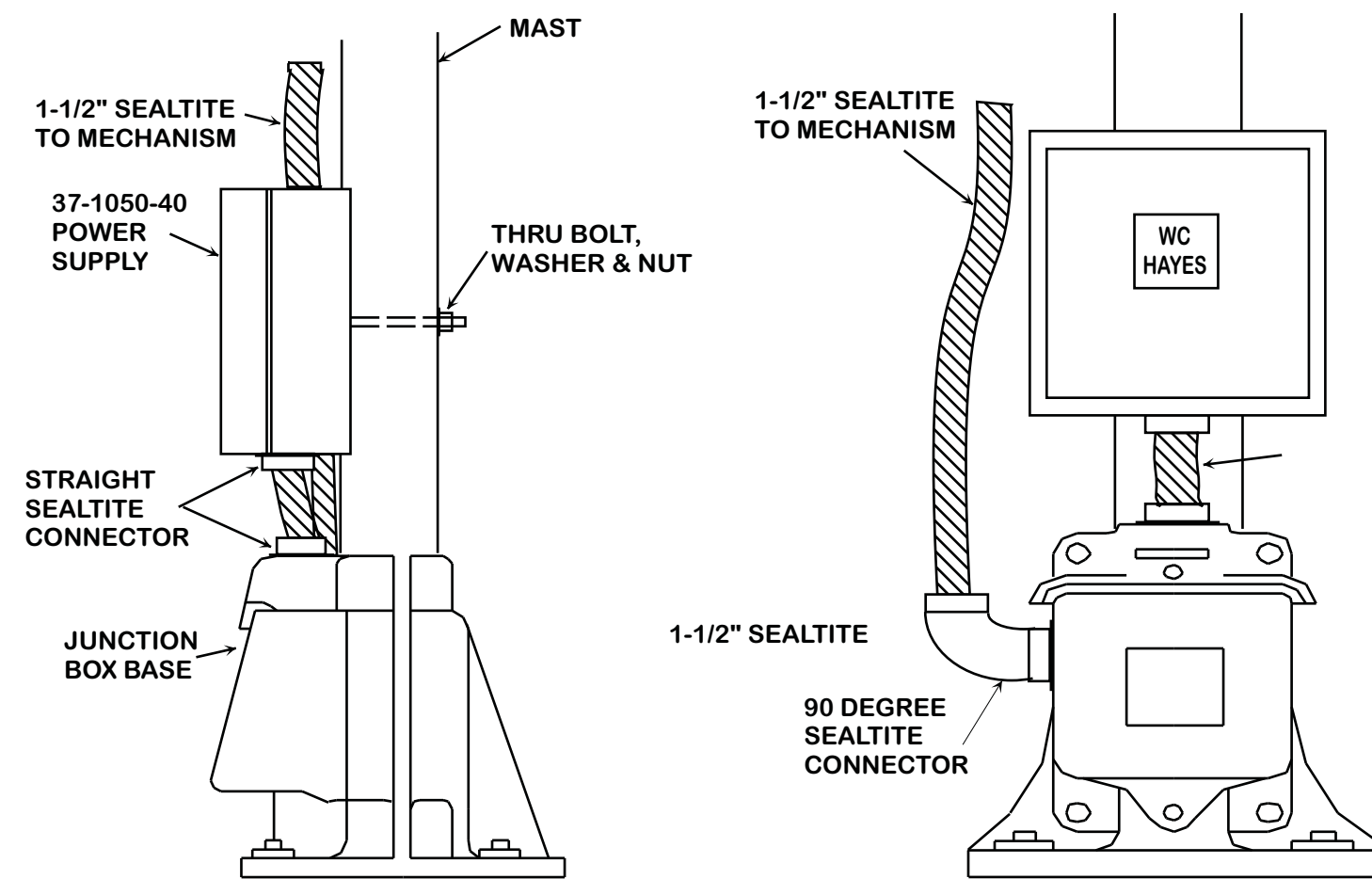
TITLE:
ISLAND AC/DC TRACK CIRCUIT CONTROL
FOR 2 MODEL 10 GATES AND SIGNALS

DRAWN BY:	DATE:	ECO:	REV:		
DRAWN BY: BW	DATE: 11-8-94	ECO: 7010	REV: B		2 OF 2

PART NO: 37-1001-200-G REV:



**37-1050-40 GATE MECHANISM
POWER SUPPLY DIAGRAM
CONNECTED TO MECHANISM**



MECHANISM POWER SUPPLY MOUNTING DETAILS

WESTERN-CULLEN-HAYES, INC.

2700 W. 36TH PLACE, CHICAGO, IL 60632
773-254-9600 FAX: 773-254-1110

TITLE:
POWER SUPPLY / MECHANISM CONNECTION

PART NO:
37-1050-40-IS2

DRAWN BY: RLY	DATE: 11/19/03	ECO:	REV:		
------------------	-------------------	------	------	--	--