



7000 Geerdes Boulevard  
King of Prussia, PA 19406  
August 14, 2015

LB-MAL-TF  
Philadelphia County  
S.R. 0095, Section AFC  
Interstate 95 Reconstruction  
PUC Docket #A-2015-2475096

Ms. Rosemary Chiavetta, Secretary  
Pennsylvania Public Utility Commission  
P. O. Box 3265  
Harrisburg, PA 17105-3265

Dear Ms. Chiavetta:

We are forwarding, herewith, for your review and approval, four sets of final circuit plans for the above referenced project.

A Certificate-of-Service, as required by the Rules of Procedure found in the Pennsylvania Code, is attached to this filing.

Sincerely,

A handwritten signature in cursive script, appearing to read "Tom French".

Tom French  
District Railroad Coordinator

cc: Parties of record  
Gina D'Alfonso  
Mark Chappell  
File: R-47813-FinalPlans-PUC

RECEIVED

AUG 17 2015

PA PUBLIC UTILITY COMMISSION  
SECRETARY'S BUREAU

Application of the Department of Transportation of the Commonwealth of Pennsylvania for approval of the alteration of the at-grade railroad crossings located at SR 1005 (Allegheny Avenue); DOT# 588 672 G and Castor Avenue; DOT# 588 679 E by the Pennsylvania Department of Transportation, where improvements along Delaware Avenue include pavement repair and resurfacing as part of the I-95 Reconstruction. The at-grade railroad crossings owned by Consolidated Railroad Corporation, located in the City of Philadelphia, Philadelphia County, will be upgraded to current standards. Two existing sidings along Delaware Avenue will be removed.

Application:  
Docket No: A-2015-2475096

**RECEIVED**

**AUG 17 2015**

PA PUBLIC UTILITY COMMISSION  
SECRETARY'S BUREAU

### CERTIFICATE OF SERVICE

I hereby certify that I have this day served a true copy of the foregoing document upon the participants listed below, in accordance with the requirements of 52 Pa. Code §1.54, by first class mail, postage prepaid:

Mr. William Kaeser  
Consolidated Rail Corporation  
1000 Howard Blvd.  
Mount Laurel, NJ 08054

Mr. James Turcich  
Philadelphia Belt Line RR Co.  
P.O. Box 40028  
Philadelphia, PA 19106-0028

Mr. Frank Punzo  
City of Philadelphia  
Department of Public Property  
Room 732, City hall  
Philadelphia, PA 19107

Mr. Michael Lavery  
City of Philadelphia Water Dept.  
Aramark Tower  
1101 Market Street, 5th Floor  
Philadelphia, PA 19107-2994

Mr. Bill Hensil  
PECO Energy Company  
1050 West Swedesford Road  
Berwyn, PA 19312

Mr. Ryan Bream  
Philadelphia Gas Works  
800 W. Montgomery Avenue  
Philadelphia, PA 19122-2898

Mr. Steve Altobelli  
AT&T Local Services  
c/o TREC Group Inc.  
536 Baltimore Pike  
Springfield, PA 19016-0467

Mr. Adam Cubbedge  
Centurylink  
1201 Walnut Bottom Road  
Carlisle, PA 17015

Mr. Robert Harvey  
Comcast Cable Communications, Inc.  
4400 Wayne Ave  
Philadelphia, PA 19140

Ms. Deborah Delia  
Verizon Pennsylvania LLC  
15 Montgomery Place, Floor 2  
Pittsburgh, PA 15212

Mr. Joe Pankuch  
Sunesys, LLC  
185 Titus Avenue  
Warrington, PA 18976

Dated this 14<sup>th</sup> day of August 2015



---

Tom French  
District 6-0 Grade Crossing Administrator

RECEIVED

AUG 17 2015

PA PUBLIC UTILITY COMMISSION  
SECRETARY'S BUREAU

INDEX

SH. NO.	CONTENTS	REVISION NO.						
		1	2	3	4	5	6	7
1	TITLE, NOTES, INDEX AND REVISIONS	✓						
2	LOCATION PLAN	✓						
3	POWER DISTRIBUTION	✓						
4	IPITC CIRCUITS	✓						
5	LIGHTING CIRCUITS & SAFETRAN SSCC III CONTROLLER	✓						
6	SSCC III HISTORY CARD	✓						
7	EQUIPMENT RACK DETAILS	✓						
8	HOUSE LAYOUT DETAILS	✓						

NOTES

- = FOR MATERIAL REFERENCE SEE PLAN S-1002
- ⊗ = DENOTES TWISTED PAIR
- = GROUND IN ACCORDANCE WITH CS-9001-A

ALL NEW WORK  
INSTALL AND CHECK  
AS A WHOLE

REVISIONS

1 7-2-15  
NEW PLAN DRAWN ACCOUNT  
WARNING DEVICES UPGRADED AT  
CASTOR AVENUE.  
  
W/O AFE NO:  
IN SERVICE:  
PER:

RECEIVED

AUG 17 2015

PA PUBLIC UTILITY COMMISSION  
SECRETARY'S BUREAU

AAR/DDT\*588679E



SOUTH JERSEY DISTRICT PHILADELPHIA BELT LINE  
PHILADELPHIA, PA  
CASTOR AVENUE  
TITLE, NOTES, INDEX AND REVISIONS

PHILADELPHIA, PA.

ISSUE DATE: JULY 2, 2015 1188-0007

REV. 1 07-02-15 SHEET 1 OF 8

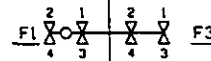
WEST  
TO

EAST  
TO

XORB -

XORN -

1XX



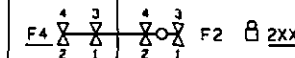
XT

4.0 KHZ IPI

100'

- XOTB

- XOTN



F4

F2

2XX

100'

NOTE: ②

### CASTOR AVENUE

WARNING DEVICES TO BE INSTALLED IN  
ACCORDANCE WITH THE M.U.T.C.D.

AAR/DOT# 588679E

4X6 HOUSE CABLE

- (2) 2C-#6 TWISTED U.G. CABLE TO TRACK
- (3) 5C-#6 TO FLASHERS & CANTILEVER

NOTES:

- ① = N/A
- ② = 120' MINIMUM
- ③ EACH PAIR OF TRACK WIRES (TRANSMIT AND RECEIVE) SHOULD BE TWISTED AT LEAST TWO TURNS PER FOOT. THE TRANSMITTER PAIR SHOULD BE SEPARATED TO THE MAXIMUM EXTENT POSSIBLE FROM THE RECEIVER PAIR BELOW GROUND AND IN INSTRUMENT HOUSING. THE TRANSMIT PAIR TO BE CONNECTED TO THE BUNGALOW SIDE OF CROSSING.

ALL NEW WORK  
INSTALL AND CHECK  
AS A WHOLE

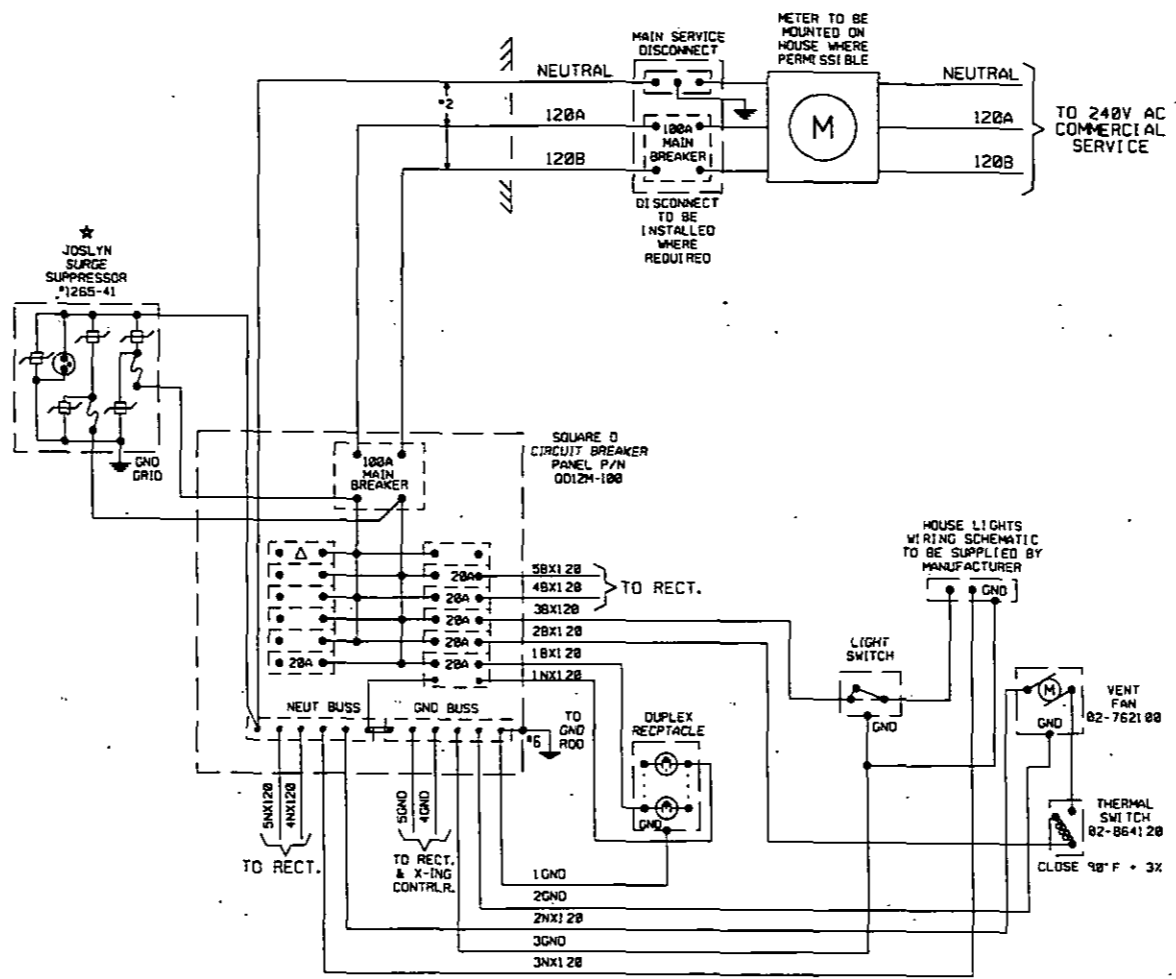


CASTOR AVENUE

PHILADELPHIA, PA

HIGHWAY CROSSING  
LOCATION PLAN


ISSUE DATE: JULY 2, 2015	1188-0007
REV. 1	07-02-15
SHEET 2 OF 8	



**NOTES:**

- 1) 3 CONDUCTOR #12 CABLE TO BE RUN TO EACH CHARGER, ETC FOR BX120, NX120 & GND.
  - 2) \* = SUPPRESSOR TO BE LOCATED AS CLOSE AS POSSIBLE TO MAIN BREAKER. LEADS TO BE TWISTED WHENEVER POSSIBLE.
  - 3) 100A SERVICE REQUIRES #2 WIRE. 60A SERVICE REQUIRES #6 WIRE.
  - 4) ALL AC POWER WIRING TO BE IN CONDUIT.
  - 5) MAXIMUM BREAKER LOAD NOT TO EXCEED 80% OF RATING (IE. 20A BREAKER GOOD FOR 16A).
  - 6) TRANSFORMER TO BE RATED AT 125% OF MAXIMUM LOAD.
  - 7) TRANSFORMER TO BE PROTECTED BY CLASS RK5 FUSE BASED ON 125% OF KVA RATING.
  - 8) Δ = 20A CIRCUIT BREAKER RESERVED FOR COMMUNICATIONS.
  - 9) 480V AC POWER SOURCE MUST BE PROTECTED BY 30A FUSING AT FEED END.
  - 10) LINE SERVICE DISCONNECT DOES NOT KILL LOCATION POWER. SHOP TO PROVIDE WARNING LABEL.
  - 11) \*\* = TIED TOGETHER WITH TAPED BUG IN A METAL TROUGH.
- ⊗ = TWISTED PAIR

ALL NEW WORK  
INSTALL AND CHECK  
AS A WHOLE

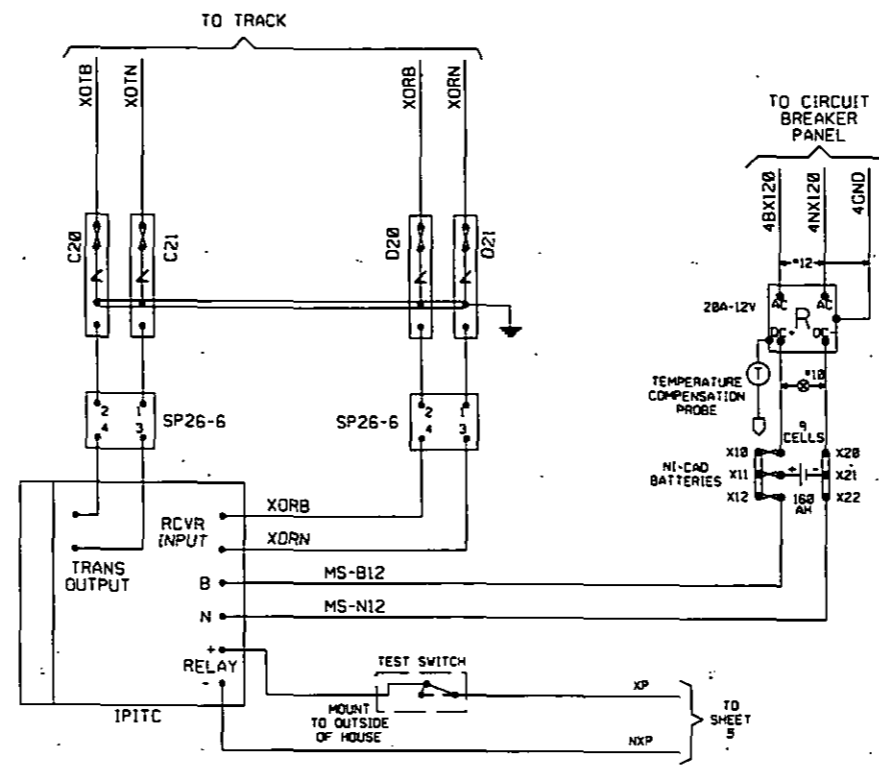


**CONRAIL**

CASTOR AVENUE PHILADELPHIA, PA

HIGHWAY CROSSING  
POWER DISTRIBUTION

ISSUE DATE: JULY 2, 2015		1188-0007
REV. 1	07-02-15	SHEET 3 OF 8



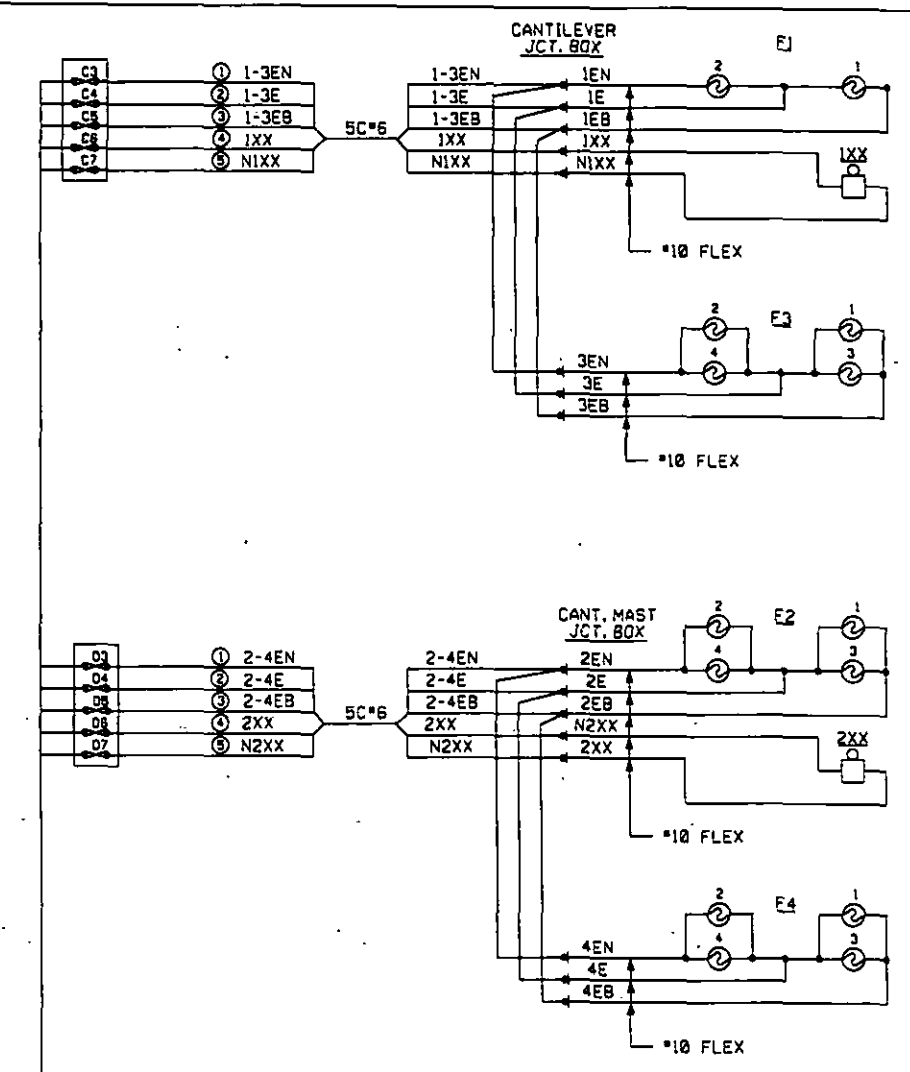
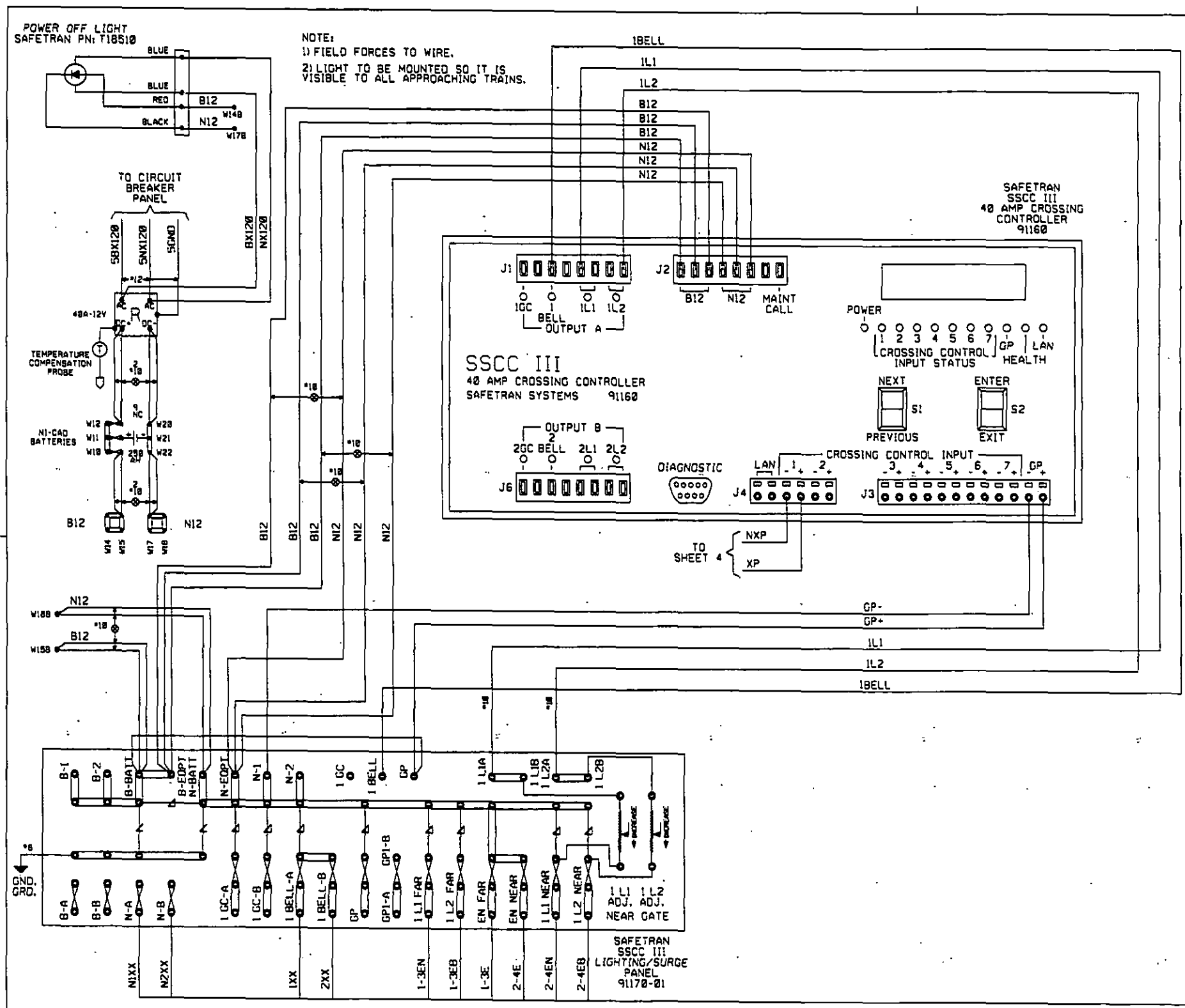
ALL NEW WORK  
INSTALL AND CHECK  
AS A WHOLE

**CONRAIL**

CASTOR AVENUE PHILADELPHIA, PA

HIGHWAY CROSSING  
IPITC CIRCUITS

ISSUE DATE: JULY 2, 2015		1188-0007
REV. 1	07-02-15	SHEET 4 OF 8



ALL NEW WORK  
 INSTALL AND CHECK  
 AS A WHOLE

**CONRAIL**

CASTOR AVENUE PHILADELPHIA, PA

HIGHWAY CROSSING LIGHTING CIRCUITS AND SOLID STATE CROSSING CONTROLLER

ISSUE DATE: JULY 2, 2015	1188-0007
REV. 1	07-02-15
SHEET 5 OF 8	


11880001.005.DGN



Solid-State Crossing Controller III (SSCC III) History Card				
20-AMPERE UNIT (91165) <input type="checkbox"/>		40-AMPERE UNIT (91160) <input checked="" type="checkbox"/>		
Unit Serial No.:		Crossing No.: 588679E		Date Installed:
PROGRAM MENU	Default Value	Initial Programmed Value	Program Change Date:	Program Change Date:
FLASH RATE:	50	50 PER MIN.	PER MIN.	PER MIN.
1 GC DELAY:	4	N/A SEC.	SEC.	SEC.
2 GC DELAY: (40-amp units only)	4	N/A SEC.	SEC.	SEC.
BELL-ON GATE RISING:	YES	YES <input type="checkbox"/> NO <input checked="" type="checkbox"/>	YES <input type="checkbox"/> NO <input type="checkbox"/>	YES <input type="checkbox"/> NO <input type="checkbox"/>
ENABLED INPUTS:	7	1 THRU 1	1 THRU	1 THRU
ENABLED OUTPUTS: (40-amp units only)	A AND B	A <input checked="" type="checkbox"/> B <input type="checkbox"/> A & B <input type="checkbox"/>	A <input type="checkbox"/> B <input type="checkbox"/> A & B <input type="checkbox"/>	A <input type="checkbox"/> B <input type="checkbox"/> A & B <input type="checkbox"/>
LOW BATT:	DISABLED	DISABLED <input type="checkbox"/> VOLTS	DISABLED <input type="checkbox"/> VOLTS	DISABLED <input type="checkbox"/> VOLTS
SET TO DEFAULT:	WARNING ANY TIME THE SSCC III IS SET TO THE FACTORY DEFAULT CONFIGURATION, THE SYSTEM MUST BE REPROGRAMMED AND LAMP VOLTAGES AND SYSTEM OPERATION MUST BE VERIFIED BEFORE PLACING THE SSCC III IN SERVICE.			
TIME:	n/a			
DATE:	n/a			
DAYLIGHT SAVINGS:	OFF	OFF <input type="checkbox"/> ON <input type="checkbox"/>	OFF <input type="checkbox"/> ON <input type="checkbox"/>	
PASSWRD:	DISABLED	DISABLED <input type="checkbox"/> ENABLED <input type="checkbox"/>	DISABLED <input type="checkbox"/> ENABLED <input type="checkbox"/>	

Lamp Voltages			
SETUP LAMP VOLTAGES MENU	Voltage at lighted Far Gate lamp	Voltage at SSCC III driver output (as shown on SSCC III display)	Voltage at lighted Near Gate lamp (adjusted with slide resistor)
SETUP OUTPUT 1L1			
SETUP OUTPUT 1L2			
40-amp units only			
SETUP OUTPUT 2L1			
SETUP OUTPUT 2L2			

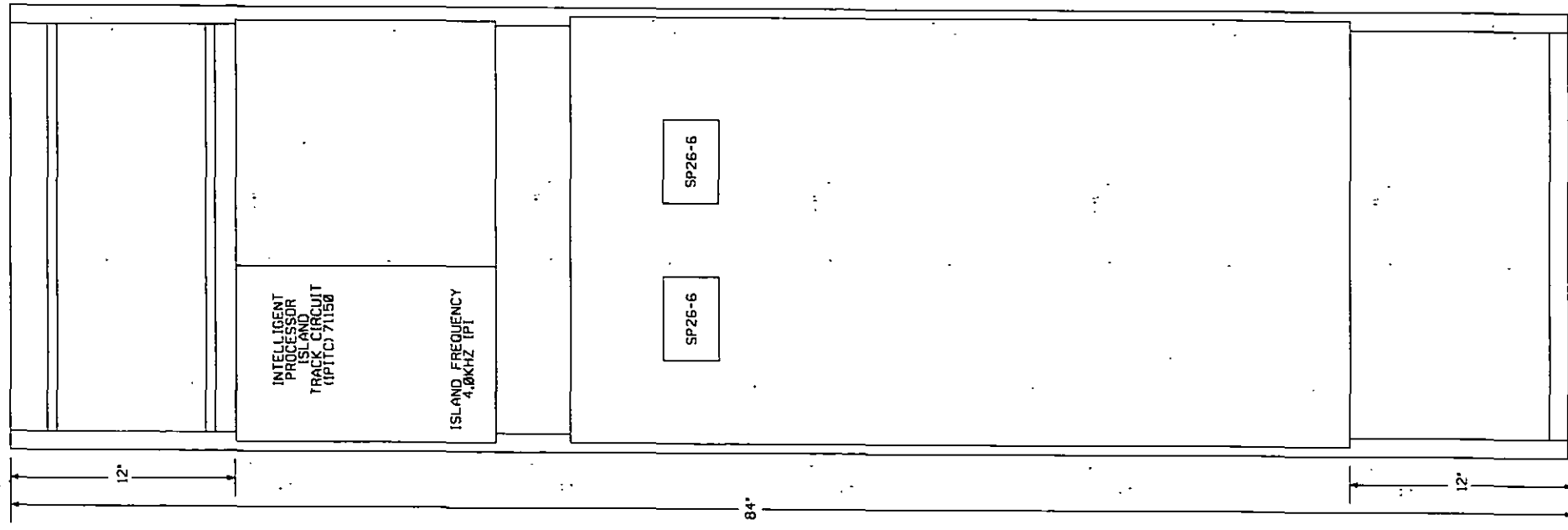
ALL NEW WORK  
 INSTALL AND CHECK  
 AS A WHOLE



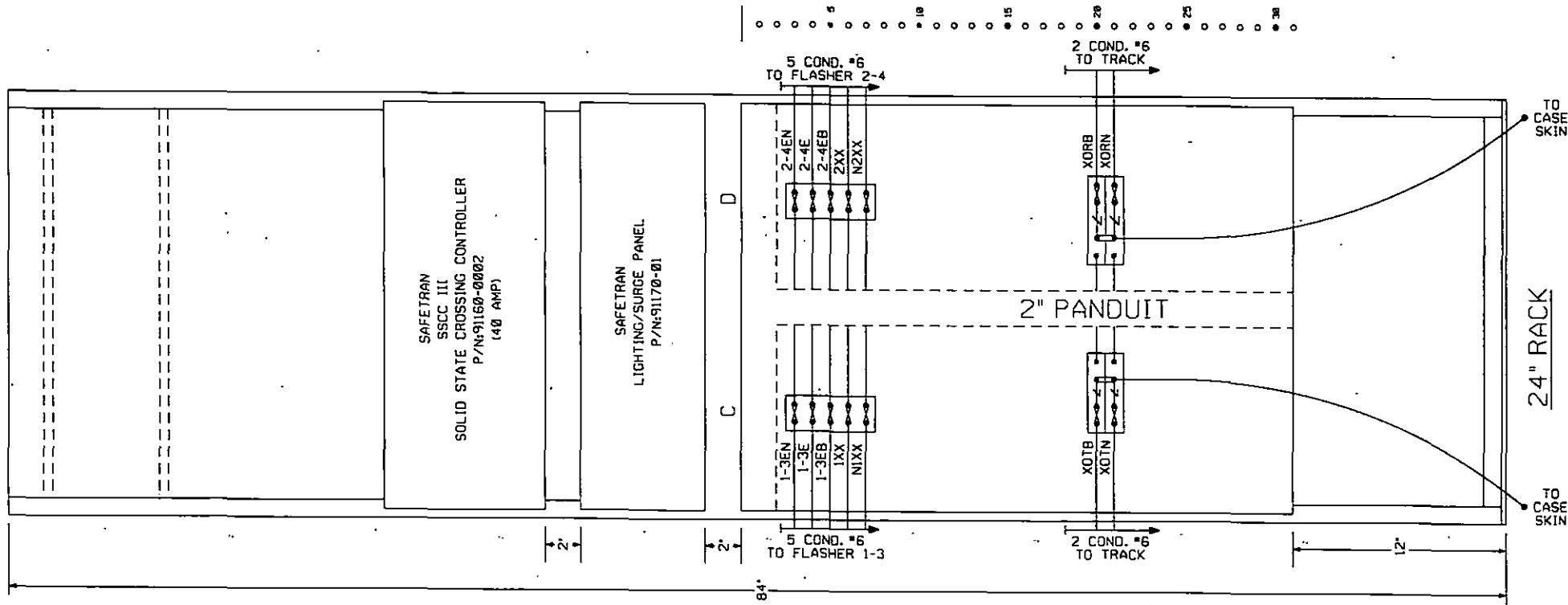
CASTOR AVENUE PHILADELPHIA, PA  
 HIGHWAY CROSSING  
 SOLID STATE CROSSING CONTROLLER  
 HISTORY CARD

ISSUE DATE: JULY 2, 2015	1188-0007
REV. 1	07-02-15
SHEET 6 OF 8	

RACK FRONT VIEW



RACK REAR VIEW



24" RACK

24" RACK

ALL NEW WORK  
INSTALL AND CHECK  
AS A WHOLE

NOTES:

- 1Ω ADJ. [Symbol]
- 2Ω ADJ. [Symbol]
- 5Ω ADJ. [Symbol]
- 100Ω FIXED [Symbol]
- 100Ω FIXED [Symbol]
- RESISTOR - SAFETRAN PART #029602-3X
- RESISTOR - SAFETRAN PART #029602-6X
- RESISTOR - SAFETRAN PART #029603-2X
- RESISTOR - SAFETRAN PART #029245-3X2
- RESISTOR - SAFETRAN PART #029245-6X2
- 4 POST TERMINAL BLOCK - ERICO PART #S82700A2C1WH
- TERMINAL STRIP - TWINCO PART #000-1805-1-0
- BUSS STRIP - ERICO PART #B2700HC48T
- TEST LINK ASSEMBLY - L&W IND. PART #9A22057X
- ARRESTOR, HEAVY DUTY - CLEARVIEW PART #022585-1X
- EQUALIZER - CLEARVIEW PART #022700-1X

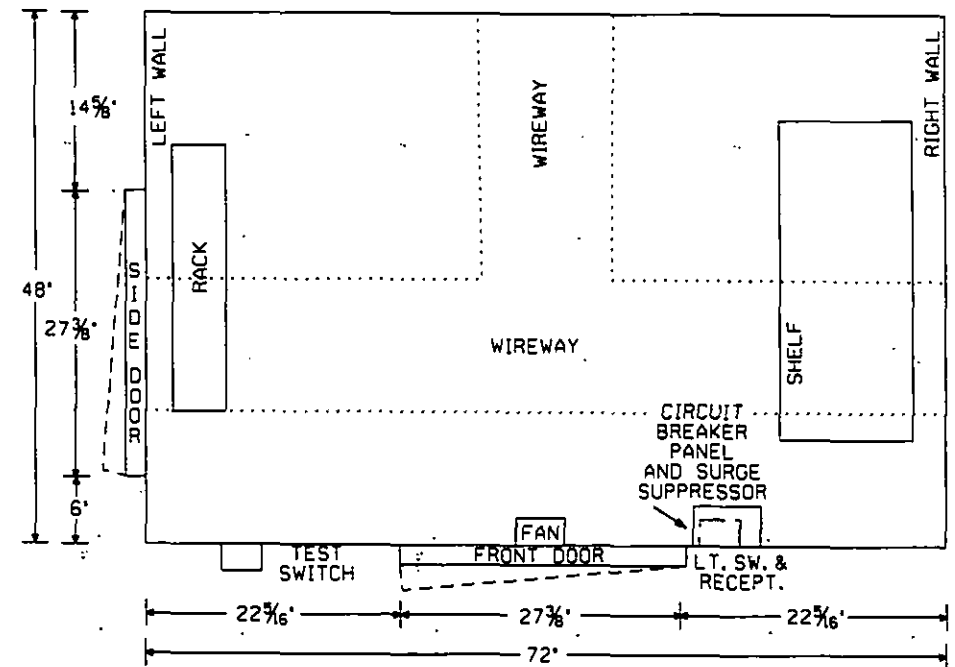
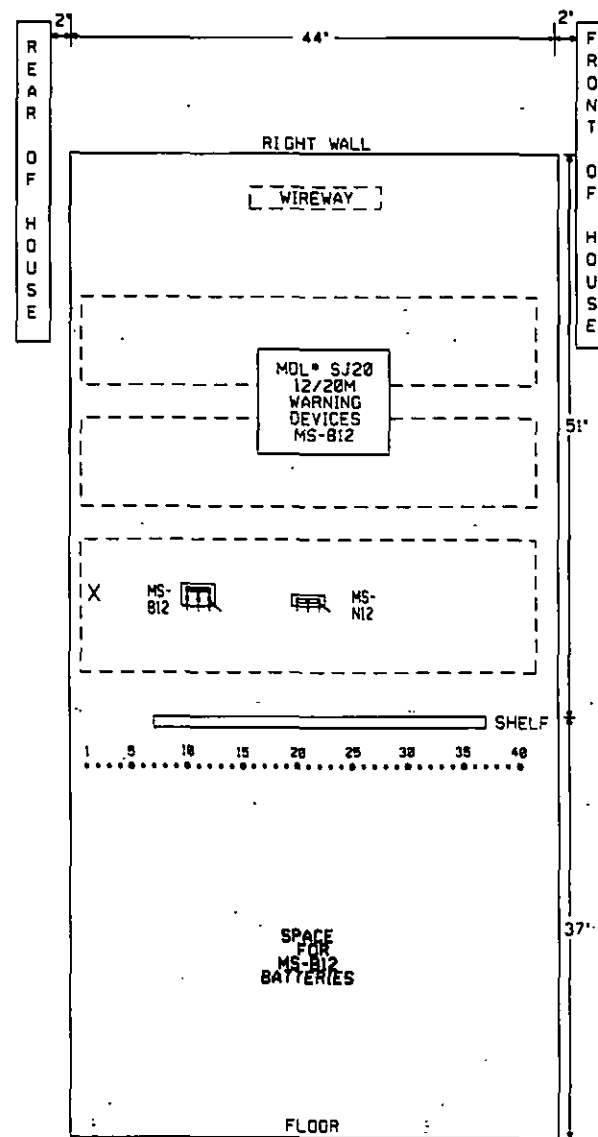
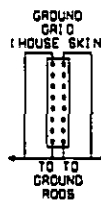
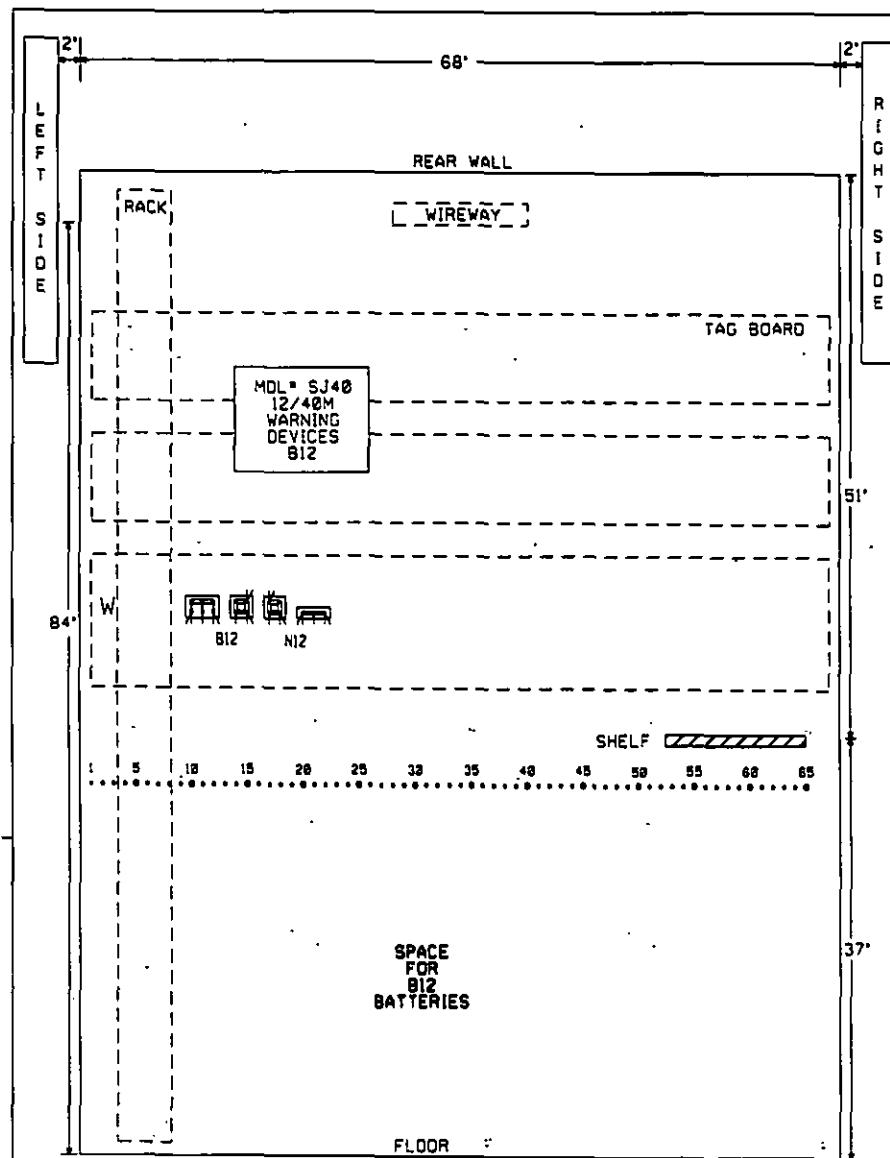
GROUND CONNECTION TO BE IN ACCORDANCE WITH STANDARD PLAN CS-9001-A



CASTOR AVENUE PHILADELPHIA, PA

HIGHWAY CROSSING EQUIPMENT RACK DETAILS

ISSUE DATE: JULY 2, 2015	1188-0007
REV. 1	07-02-15 SHEET 7 OF 8



4' x 6' HOUSE  
SERRMI PRODUCTS INC.

ALL NEW WORK  
INSTALL AND CHECK  
AS A WHOLE



CASTOR AVENUE

PHILADELPHIA, PA

HIGHWAY CROSSING  
HOUSE LAYOUT

ISSUE DATE: JULY 2, 2015

1188-0007

REV. 1

07-02-15

SHEET 8 OF 8

Utilities Unit

PEIMDOT  
7000 GERDES BLVD  
KING OF PRUSSIA PA 194061525

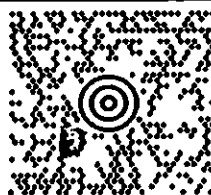
2 LBS

1 OF 1

SHIP TO:

ROSEMARY CHIAVETTA  
PENNA. PUC  
400 NORTH ST.

HARRISBURG PA 17120-0200



PA 171 9-20



UPS GROUND

TRACKING #: 1Z 5V6 OE1 03 9171 2132



BILLING: P/P

UIS 17.5.27. WNTNVS0 66.0A 07/2015



RECEIVED

AUG 17 2015

PA PUBLIC UTILITY COMMISSION  
SECRETARY'S BUREAU