



Aqua Pennsylvania, Inc.
762 W. Lancaster Avenue
Bryn Mawr, PA 19010

Frances P. Orth, Esquire
Vice President & Managing Senior Counsel

T: 610.645.1126
F: 610.520.9127
fpoth@aquaamerica.com
www.aquaamerica.com

June 14, 2016

Rosemary Chiavetta, Secretary
Pennsylvania Public Utility Commission
Commonwealth Keystone Building
400 North Street
Harrisburg, PA 17120

Re: Application of Aqua Pennsylvania, Inc. for Approval of the alteration of the crossing (U.S. DOT – AAR 591 848 T) where Shamokin Street crosses at grade tracks operated by the SEDA-COG Joint Rail Authority and the Shamokin Valley Railroad at milepost 18.86 located in the City of Shamokin in Northumberland County, Pennsylvania.

Docket No. A-2016

Dear Secretary Chiavetta:

Enclosed for filing are an original and four copies of Aqua Pennsylvania, Inc.'s above referenced Application.

Please return one file-stamped copy of the document to me in the enclosed postage pre-paid envelope.

Sincerely,

Frances P. Orth

RECEIVED
2016 JUN 15 AM 11:13
PA.P.U.C.
SECRETARY'S BUREAU

cc: Robert J. Todd

**BEFORE
PENNSYLVANIA PUBLIC UTILITY COMMISSION**

In Re: Application of Aqua Pennsylvania, Inc. for Approval of the alteration of the Crossing (U.S. DOT –AAR 591 848 T) where Shamokin Street crosses at grade tracks operated by the SEDA-COG Joint Rail Authority and the Shamokin Valley Railroad at milepost 18.86 located in the City of Shamokin in Northumberland County, Pennsylvania.

To the Pennsylvania Public Utility Commission:

1. The name and address of applicant is Aqua Pennsylvania, Inc., 762 W. Lancaster Avenue, Bryn Mawr, PA 19010.
2. The name and address of the applicant's attorney is Frances P. Orth, Esq., 762 W. Lancaster Ave, Bryn Mawr, PA 19010.
3. Aqua Pennsylvania, Inc. is the local public water supplier.
4. By this application, approval is sought to install an 12 - inch water main made of DIP installed in a 24" steel casing in the road going under crossing number AAR 591 848 T operated by the SEDA-COG Joint Rail Authority and the Shamokin Valley Railroad at milepost 18.86 located in the City of Shamokin in Northumberland County, Pennsylvania.
5. To the best of the applicant's knowledge, the name and addresses of the persons, parties and entities potentially concerned in or affected by the proposed construction are:

Mark Chappell PE Chief
ROW & Utility Division
PENNDOT Bureau of Design
P.O. Box 3362
Harrisburg, PA 17105-3362

City of Shamokin
City Hall Building
47 East Lincoln Street
Shamokin, PA 17872
Attn: Rick Bozza

Rich Novack
PENNDOT District 3-0
715 Jordan Ave
Montoursville, PA 17754

Gary Shields, President
Shamokin Valley Railroad
356 Priestly Ave
Northumberland, PA 17857

George Fury
SEDA-COG Joint Rail Authority
201 Furnace Road
Lewisburg, PA 17837

Northumberland County
Administration Center
Commissioners Office
399 S. 5th Street Suite 207
Sunbury, PA 17801

PPL Electric Utilities Corporation
4810 Lycoming Mall Drive
Montoursville, PA 17754
Attn: Kathie Frantz

RECEIVED
2016 JUN 15 AM 11:13
PA.P.U.C.
SECRETARY'S BUREAU

Gina M. D'Alfonso
Assistant Counsel in Charge
Department of Transportation
Office of Chief Counsel
9th Floor
P.O. Box 8212
Harrisburg, PA 17105-8212

AT&T
2315 Salem Road A-10
Conyers, GA 30013
Attn: Nancy Spence

UGI Central Penn Gas, Inc.
1301 Aip Drive
Middletown, PA 17057
Attn: Andrew Black

Service Electric Cablevision
3662 Point Township Drive
Northumberland, PA 17857
Attn.: Don Phillips

Shamokin-Coal Township
Joint Sewer Authority
114 Bridge Street
Shamokin, PA 17872
Attn: Paul Petrovich

Verizon Pennsylvania, Inc.
100 Sixth Street
Vineland, NJ 08360
Attn: Beth Baldwin

6. The cost of this portion of the project is estimated to be \$56,381.00. The project will be entirely funded and maintained by Aqua Pennsylvania, Inc.
7. The alteration is necessary or proper because it will improve water transmission capabilities.

Wherefore, applicant requests the Commission approve this highway railroad crossing application.

RESPECTFULLY SUBMITTED;

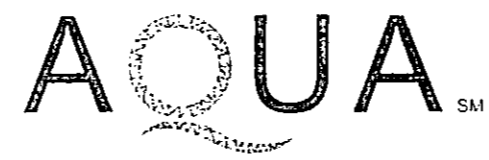
Aqua Pennsylvania, Inc.

Date: 6/14/16

By: Frances P. Orth

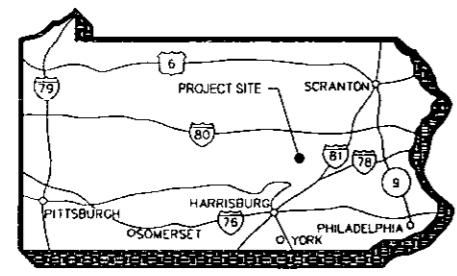
Frances P. Orth, Esq.

RECEIVED
 2016 JUN 15 AM 11:12
 PA.P.U.C.
 SECRETARY'S BUREAU



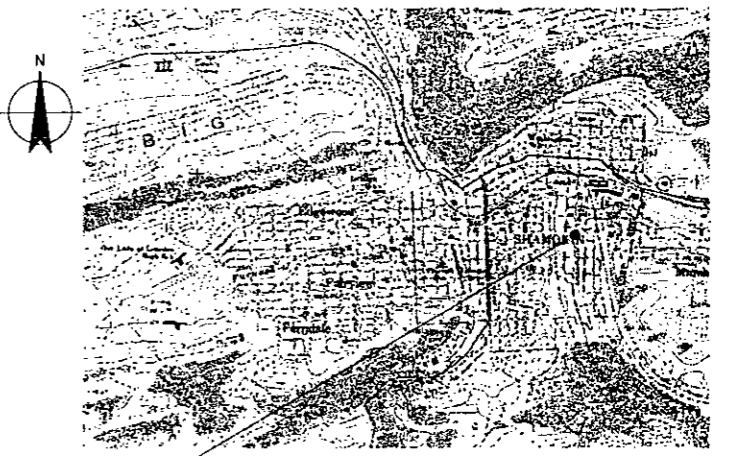
SHAMOKIN STREET WATERMAIN REPLACEMENT BID DOCUMENTS

MAY 26, 2016



VICINITY MAP
 NOT TO SCALE

CALL BEFORE YOU DIG
 PENNSYLVANIA LAW REQUIRES 3 WORKING DAYS NOTICE FOR CONSTRUCTION PHASE AND 10 WORKING DAYS IN DESIGN STAGE - STOP CALL
 PENNSYLVANIA ONE CALL SYSTEM, INC.
 1-800-242-1776 OR 811
 POCS SERIAL NUMBER - 20161462654, 20161462651, 20161462655, 20161462635, 20161462757



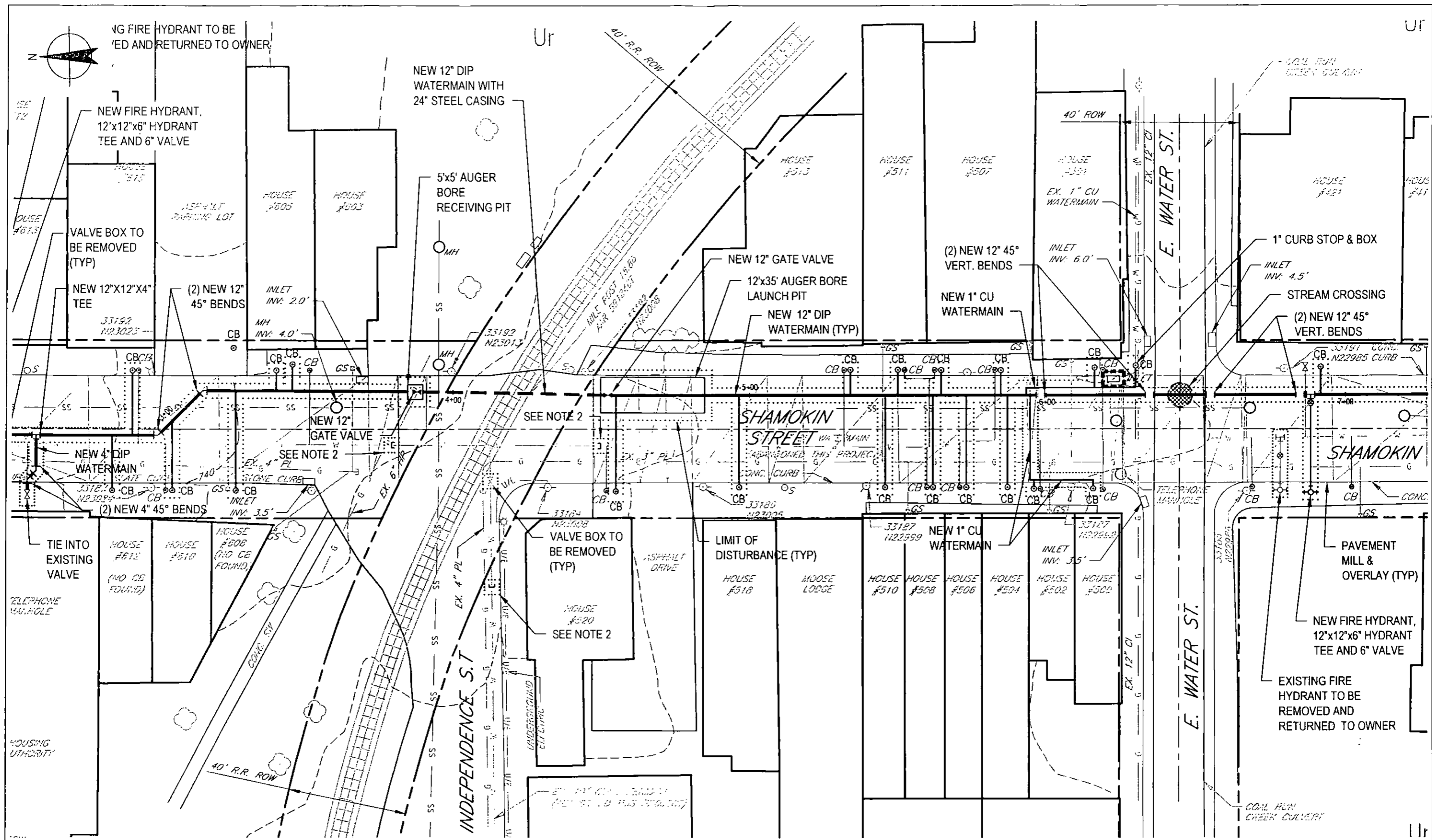
PROJECT SITE LOCATION MAP SCALE: 1" = 200'
 SITE ADDRESS
 CITY OF SHAMOKIN
 NORTHUMBERLAND COUNTY, PA

UNDERGROUND UTILITIES ACT:
 THE CONTRACTOR SHALL COMPLY WITH THE PROVISIONS OF THE PENNSYLVANIA GENERAL ASSEMBLY UNDERGROUND UTILITY LINE PROTECTION ACT, PA ACT 287 OF 1974 AS AMENDED BY ACT 121 OF 2008, 73 P.S. § 176 ET SEQ. FOR NOTIFICATION OF UTILITIES BEFORE EXCAVATION IN THE CONTRACT AREA. THE ONE CALL UNDERGROUND UTILITIES CALL NUMBER IS 800-242-1776 OR 811.
 INDIVIDUAL LOCAL UTILITIES ARE AS FOLLOWS:
 AQUA PENNSYLVANIA
 204 E. SUNBURY ST.
 SHAMOKIN, PA 17872
 CONTACT: TOM HARRIS
 EMAIL: tharris@aquapenn.com
 COAL TOWNSHIP
 305 W. LYNN STREET
 COAL TOWNSHIP, PA 17865
 CONTACT: BILL KUDRICK
 EMAIL: kudrick@coaltwp.net
 SERVICE ELECTRIC CARLEVISION
 3652 POINT TOWNSHIP DR.
 NORTHUMBERLAND, PA 17857
 CONTACT: DON PHILLIPS
 EMAIL: don.phillips@sear.com
 PPL ELECTRIC UTILITIES CORP.
 460 LYCOMING MALL DR.
 MONROESVILLE, PA 17254
 CONTACT: KATHIE FRANTZ
 EMAIL: kfrantz@pplweb.com
 SHAMOKIN - COAL TWP. JT SEWER AUTHORITY
 114 BRIDGE STREET
 SHAMOKIN, PA 17872
 CONTACT: PAUL PETROVICH
 EMAIL: ppetrov@sjta.net

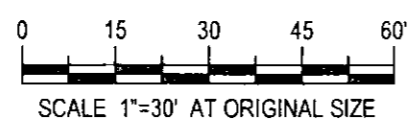
INDEX OF DRAWINGS			
No.	Revision	Description	Date
1	G 001	COVER SHEET	
2	C 001	KEY PLAN	
3	C 002	PLAN 1	
4	C 003	PLAN 2	
5	C 004	PLAN 3	
6	C 005	PLAN 4	
7	C 006	PLAN 5	
8	C 007	PROFILE 1	
9	C 008	PROFILE 2	
10	C 009	AQUA DETAILS	
11	C 010	MISCELLANEOUS DETAILS	
EROSION AND SEDIMENTATION CONTROL			
12	ES 001	EROSION AND SEDIMENTATION CONTROL NOTES	
13	ES 002	EROSION AND SEDIMENTATION CONTROL DETAILS	

ROARING CREEK DIVISION 204 EAST SUNBURY STREET, SHAMOKIN, PA 17872			
MAIN REPLACEMENT FOR: SHAMOKIN STREET CITY OF SHAMOKIN NORTHUMBERLAND COUNTY, PENNSYLVANIA			
DRAWN BY: RCC	CHK'D BY: JMM	EXT. No:	15643R
DATE: 05-09-16	SCALE: AS SHOWN	PLATE:	
PROJECT No: 494-15	ACTIVITY No: 15714051500	A - 61007	
APPROVED		SHEET 1 OF 13	

0 BID DOCUMENTS	RCC	DJH	JMM	5-26-16		Drawn: RCC Designer: DJH Drafting: RCC Design Check: JMM Approved: A. GLITZER (Project Director) Date: MAY 09, 2016 Scale: AS NOTED	Project: SHAMOKIN STREET WATERMAIN REPLACEMENT Title: COVER SHEET Contract No: Arch D Drawing No: 11109-317-G001 Rev: 0
No. Revision Note: * indicates signature on original name of drawing or last revision of drawing Drawn: Job Manager Project Director: Date: Print Date: 28 May 2016 - 3:57 PM Plotted by: Ryan Calhoun Cad File No: G:\11111109317_Aqua RC Shamokin Street Watermain\CADD\Drawings\General\11109_317_G001.dwg						321 Washington Street Huntingdon PA 16852 USA T 1 814 843 8260 F 1 814 643 8269 E huntingdon@ghd.com W www.ghd.com	This Drawing shall not be used for Construction unless Signed and Sealed For Construction



0	SHAMOKIN VALLEY RAILROAD APPLICATION	RCC	DJH	JWM	6-06-16
No	Revision	Note	Indicates signature on original issue of drawing or last revision of drawing	Drawn	Job Manager
				Project Director	Date



AQUA

GRD

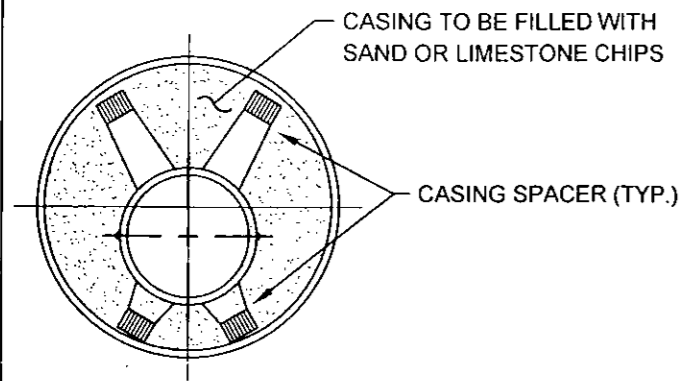
321 Washington Street
 Huntingdon PA 16852 USA
 T 814 643 8260 F 814 643 8269
 E huntingdon@grd.com W www.grd.com

Drawn	RCC	Designer	DJH
Drafting Check	RCC	Design Check	JWM
Approved (Project Director)	ARG	Date	MAY 09, 2016
Scale	AS SHOWN	The Drawing shall not be used for Construction unless Signed and Sealed For Construction	

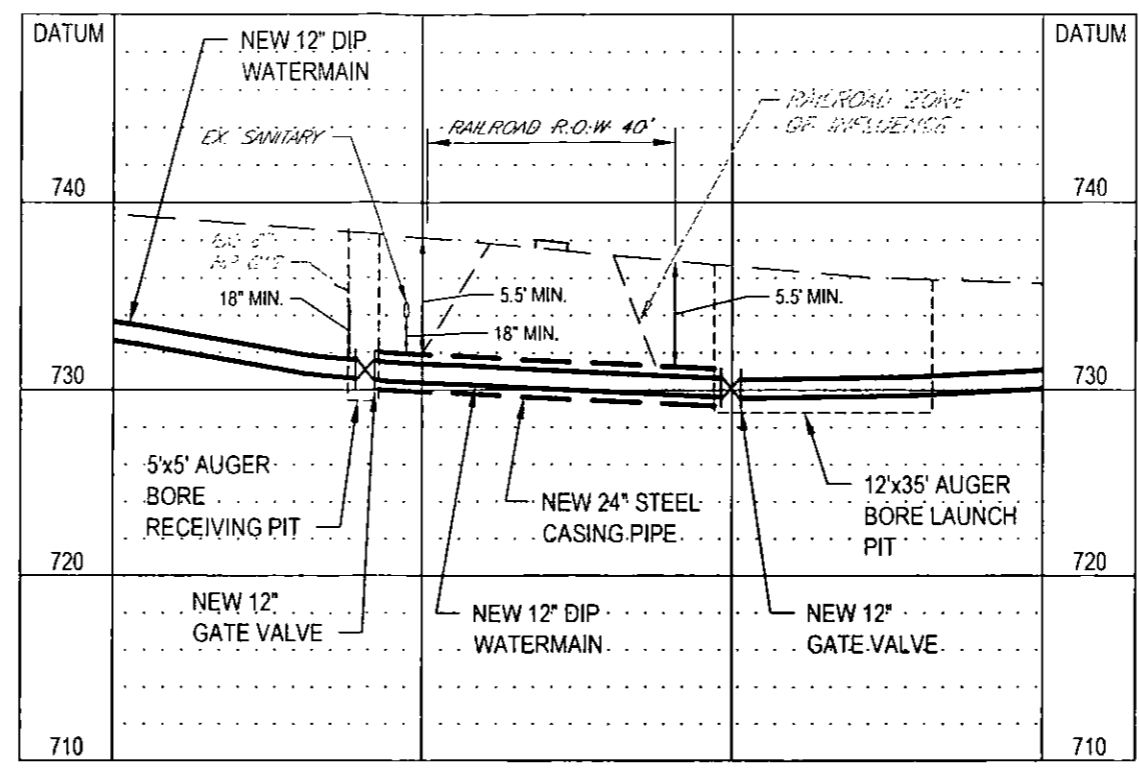
Client **AQUA PENNSYLVANIA INC.**
 Project **SHAMOKIN STREET - WATERMAIN REPLACEMENT**
 Title **SHAMOKIN VALLEY RAILROAD CROSSING PLAN**

Contract No. _____
 Original Size _____
 Drawing No: **11109317**

Rev: **0**



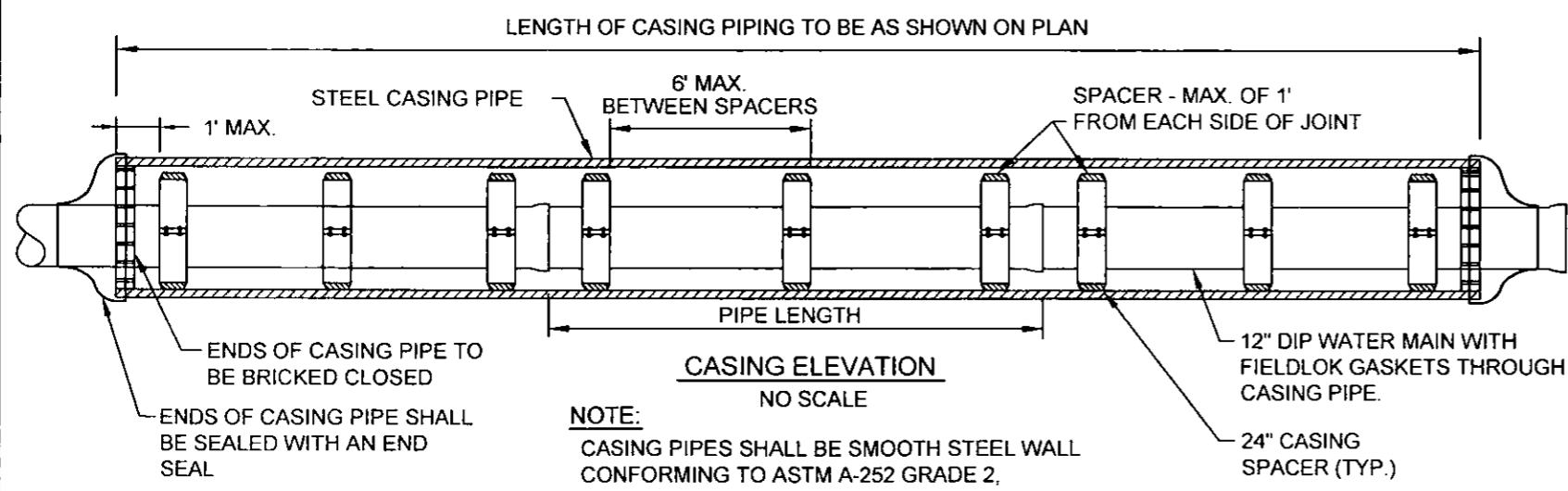
CASING SECTION
NO SCALE



R.R. CROSSING AUGER BORE PROFILE
SCALE: H: 1"=30' V: 1"=10'

CASING TABLE

NOMINAL PIPE DIAMETER	MINIMUM NOMINAL CASING I.D.
12"	23.25"



CASING ELEVATION
NO SCALE

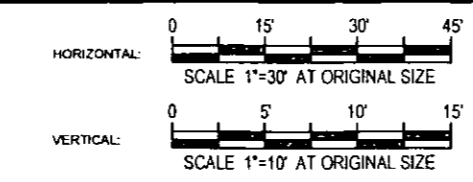
NOTE:
CASING PIPES SHALL BE SMOOTH STEEL WALL CONFORMING TO ASTM A-252 GRADE 2, MINIMUM PLATE THICKNESS 3/8-INCH. CASING SHALL BE UNCOATED WITH A MINIMUM YIELD STRENGTH OF 35,000 PSI.

CASING DETAILS FOR PIPE BORINGS/TUNNELS
NO SCALE

BORING PIT NOTES:

- TEMPORARY CONCRETE MEDIAN BARRIER W/ STEEL INSERTS AND AN APPROVED METHOD OF END PROTECTION SHALL BE PLACED AT BORING PIT LOCATIONS WITHIN 30 FEET OF THE EDGE OF THE TRAVEL LANE THAT ARE NOT PROTECTED BY GUIDERAIL
- APPROVED END PROTECTION SHALL CONSIST OF ONE OF THE FOLLOWING:
- PROTECT END OF BARRIER WITH AN APPROVED IMPACT ATTENUATOR OR
 - FLARE BARRIER BACK SO THAT THE END IS 30 FEET OFF THE EDGE OF THE TRAVEL LANE OR
 - FLARE BARRIER BACK AND BURY THE END IN AN EXISTING BANK
- AS DIRECTED, SUPPLEMENT THE ABOVE PLACEMENT WITH NONMETALLIC DRUMS WITH TYPE C LIGHTS AT A SPACING OF 10 FEET OR CLOSER. PLACE TEMPORARY ORANGE PROTECTIVE FENCING AROUND THE ENTIRE BORING PIT.
 - BORING PITS SHALL NOT REMAIN OPEN FOR A PERIOD GREATER THAN 3 CALENDAR DAYS OR OVER WEEKENDS OR HOLIDAYS.

No.	Revision	Note	Drawn	Job Manager	Project Director	Date
0		SHAMOKIN VALLEY RAILROAD APPLICATION	RCC	DJH	JWM	6-06-16



AQUA

321 Washington Street
Huntingdon PA 16852 USA
T 1 814 643 8250 F 1 814 643 8281
E huntingdon@ghd.com W www.ghd.com


Drawn	RCC	Designer	DJH
Drafting Check	RCC	Design Check	JMM
Approved (Project Director)	ARG	Date	MAY 09, 2016
Scale	AS SHOWN	This Drawing shall not be used for Construction unless Signed and Sealed For Construction	

Client	AQUA PENNSYLVANIA INC.
Project	SHAMOKIN STREET - WATERMAIN REPLACEMENT
Title	SHAMOKIN VALLEY RAILROAD CROSSING DETAILS & PROFILE
Contract No.	
Original Size	
Ansi B	Drawing No: 11109317
Rev:	0

VERIFICATION

I, Robert J. Todd, Estimating Supervisor at Aqua Pennsylvania, Inc., hereby state that the facts above set forth are true and correct (or are true and correct to the best of my knowledge, information and belief) and that I expect to be able to prove the same at a hearing held in this matter. I understand that the statements herein are made subject to the penalties of 18 Pa. C.S. § 4904 (relating to unsworn falsification to authorities).

Date: 6/14/16



Robert J. Todd

RECEIVED
2016 JUN 15 AM 11:13
PA.P.U.C.
SECRETARY'S BUREAU

CERTIFICATE OF SERVICE

I, Robert J. Todd, hereby certify that I have this day served a true copy upon the participants, listed below, in accordance with the requirements of 52 PA Code Section 1.54 regarding the Application of Aqua Pennsylvania, Inc. for a water main installation at the crossing where Shamokin Street crosses at grade the SEDA-COG Joint Rail Authority and the Shamokin Valley Railroad at AAR 591 848 T at milepost 18.86 located in the City of Shamokin in Northumberland County, Pennsylvania.

By U.S. 1st Class Mail

Mark Chappell PE Chief
ROW & Utility Division
PENN DOT Bureau of Design
P.O. Box 3362
Harrisburg, PA 17105-3362

PPL Electric Utilities Corporation
4810 Lycoming Mall Drive
Montoursville, PA 17754
Attn: Kathie Frantz

Rich Novack
Penn Dot District 3-0
715 Jordan Ave
Montoursville, PA 17754

George Fury
SEDA-COG Joint Rail Authority
201 Furnace Road
Lewisburg, PA 17837

Northumberland County
Administration Center
Commissioners Office
399 S. 5th Street Suite 207
Sunbury, PA 17801

City of Shamokin
City Hall Building
47 East Lincoln Street
Shamokin, PA 17872
Attn: Rick Bozza

Gary Shields, President
Shamokin Valley Railroad
356 Priestly Ave
Northumberland, PA 17857

Service Electric Cablevision
3662 Point Township Drive
Northumberland, PA 17857
Attn: Don Phillips

Gina M.D'Alfonso
Assistant Counsel in Charge
Department of Transportation
Office of Chief Counsel
9th Floor
P.O. Box 8212
Harrisburg, PA 17105-8212

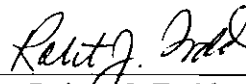
Shamokin-Coal Township
Joint Sewer Authority
114 Bridge Street
Shamokin, PA 17872
Attn: Paul Petrovich

AT&T
2315 Salem Road A 10
Conyers, GA 30013
Attn: Nancy Spence

Verizon Pennsylvania, Inc.
100 S Sixth Street
Vineland, NJ 08360
Attn: Beth Baldwin

UGI Central Penn Gas, Inc.
1301 Aip Drive
Middletown, PA 17057
Attn: Andrew Black

Dated: 6/14/16


Robert J. Todd

RECEIVED
2016 JUN 15 AM 11:13
PA.P.U.C.
SECRETARY'S BUREAU

AQUA™

762 W. Lancaster Avenue, Bryn Mawr, PA 19010

Rosemary Chiavetta, Secretary
Pennsylvania Public Utility Commission
Common Wealth Keystone Building
400 North Street
Harrisburg, PA 17120