



DIAMONDBACK

RECEIVED

2019 OCT 21 AM 9:47

PA PUC
SECRETARY'S BUREAU

October 18, 2019

Rosemary Chiavetta, Secretary
Pennsylvania Public Utility Commission
PO Box 3265
Harrisburg, PA 17105-3265

In re: **A-2019-3011410**, application of the Commonwealth of Pennsylvania, Department of Transportation, for approval to alter twelve (12) public at-grade crossings by the installation of new active traffic control devices and three high-type concrete crossing surfaces where various local roadways cross the twelve (12) tracks of SEDA-COG Joint Rail Authority, operated on by Lycoming Valley Railroad in various municipalities in Lycoming County; **all in accordance with the Federal Grade Crossing Program**; and the allocation of costs incident thereto.

<u>Highway</u>	<u>DOT No.</u>	<u>Municipality</u>
1. SR 147 (King St)	264 183A	Northumberland
2. Orange Street	264 182T	Northumberland
3. Railroad Street	264 155W	Danville
4. Wall Street	264 153H	Danville
5. Central Road	265 992N	Bloomsburg
6. Industrial Park Dr.	908 921W	Bloomsburg
7. S. Eaton Street	266 013M	Berwick
8. SR 54	591 840N	Locust Gap

Dear Rosemary Chiavetta:

A copy of the circuit plans for has been served upon the parties in the Certificate of Service.

Diamondback Signal is sending this on behalf of the North Shore Railroad.

Sincerely,

Kevin Lamb
Vice President Engineering

Enclosures

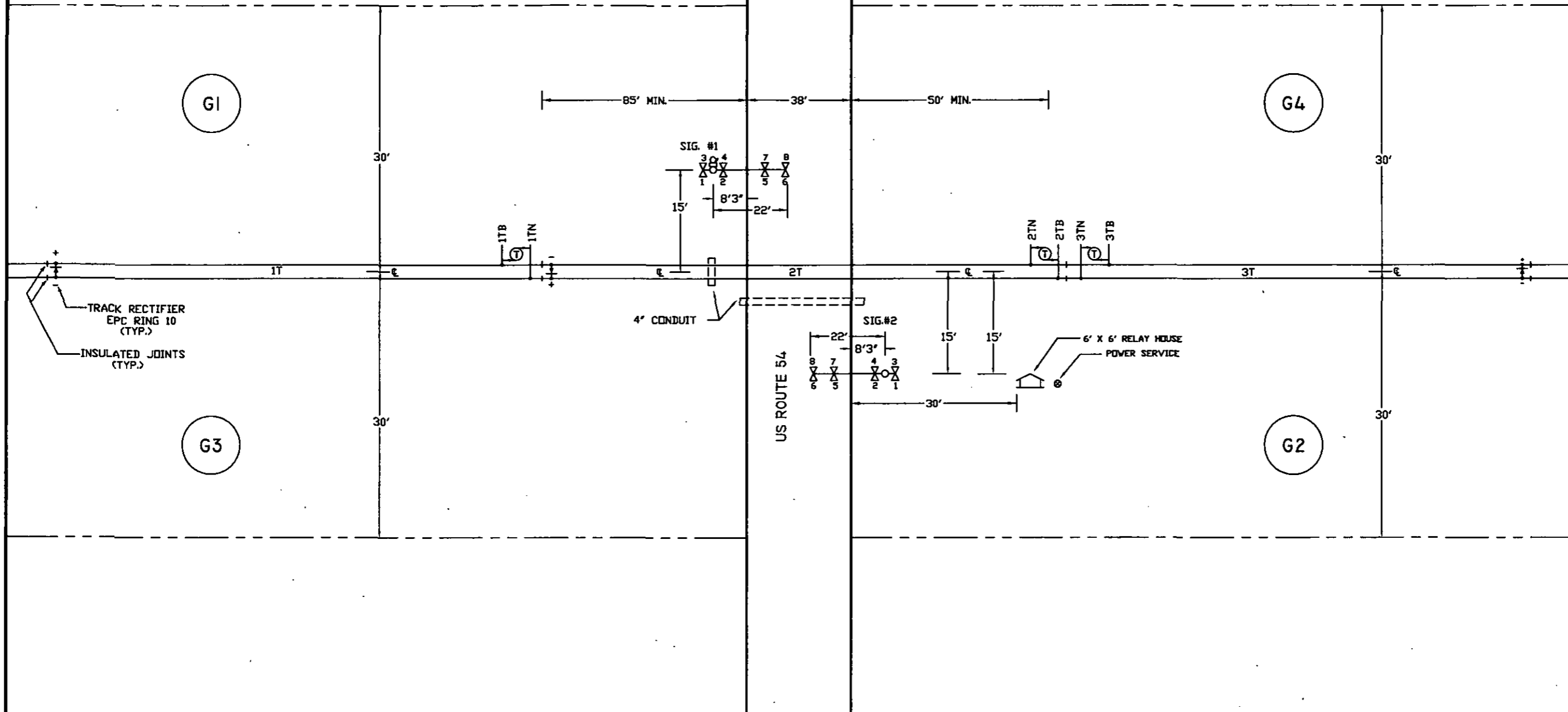
EAST

WEST

RECEIVED
2019 OCT 21 AM 9:55
PA PUC
SECRETARY'S BUREAU

START 440'
30 SECS. @ 10 MPH

START 440'
30 SECS. @ 10 MPH



NOTES:

1. MATERIAL & INSTALLATION TO BE IN ACCORDANCE WITH MUTCD, STATE AND RAILROAD STANDARDS.
2. ALL DIMENSIONS ARE APPROXIMATE AND MAY VARY DUE TO ACTUAL FIELD CONDITIONS.
3. EQUIPMENT TO BE PLACED TO ALLOW FOR FUTURE GATES.
4. (T) DENOTES TWIST PAIR.

CABLE RUN TABULATION

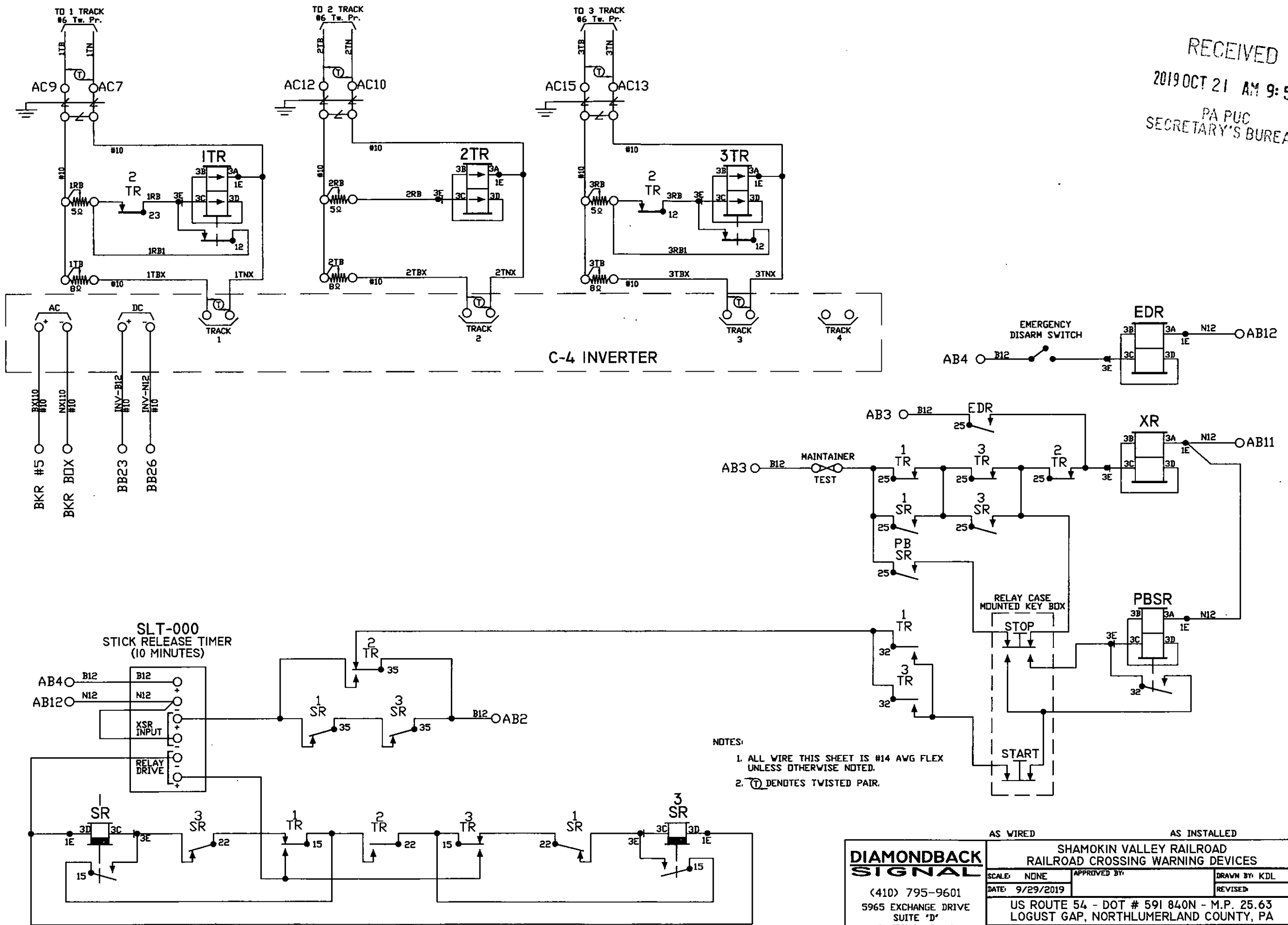
- HOUSE TO SIGNAL #1
- HOUSE TO SIGNAL #2
- HOUSE TO POWER SERVICE
- HOUSE TO 1TN & 1TB
- HOUSE TO 2TN & 2TB
- HOUSE TO 3TN & 3TB
- 5/C #6 UG CABLE
- 7/C #14 UG CABLE
- 5/C #6 UG CABLE
- 7/C #14 UG CABLE
- 3/C #9 UG CABLE
- #6 TW. PAIR UG CABLE
- #6 TW. PAIR UG CABLE
- #6 TW. PAIR UG CABLE

DIAMONDBACK SIGNAL

(410) 795-9601
5965 EXCHANGE DRIVE
SUITE "D"
SYKESVILLE, MD
21784

AS WIRED		AS INSTALLED	
SHAMOKIN VALLEY RAILROAD RAILROAD CROSSING WARNING DEVICES			
SCALE: NONE	APPROVED BY:	DRAWN BY: KDL	
DATE: 9/29/2019		REVISED:	
US ROUTE 54 - DOT # 591 840N - M.P. 25.63 LOGUST GAP, NORTHLUMERLAND COUNTY, PA			
TRACK & CABLE PLAN			DRAWING NUMBER 025.63

RECEIVED
 2019 OCT 21 AM 9:55
 PA PUC
 SECRETARY'S BUREAU

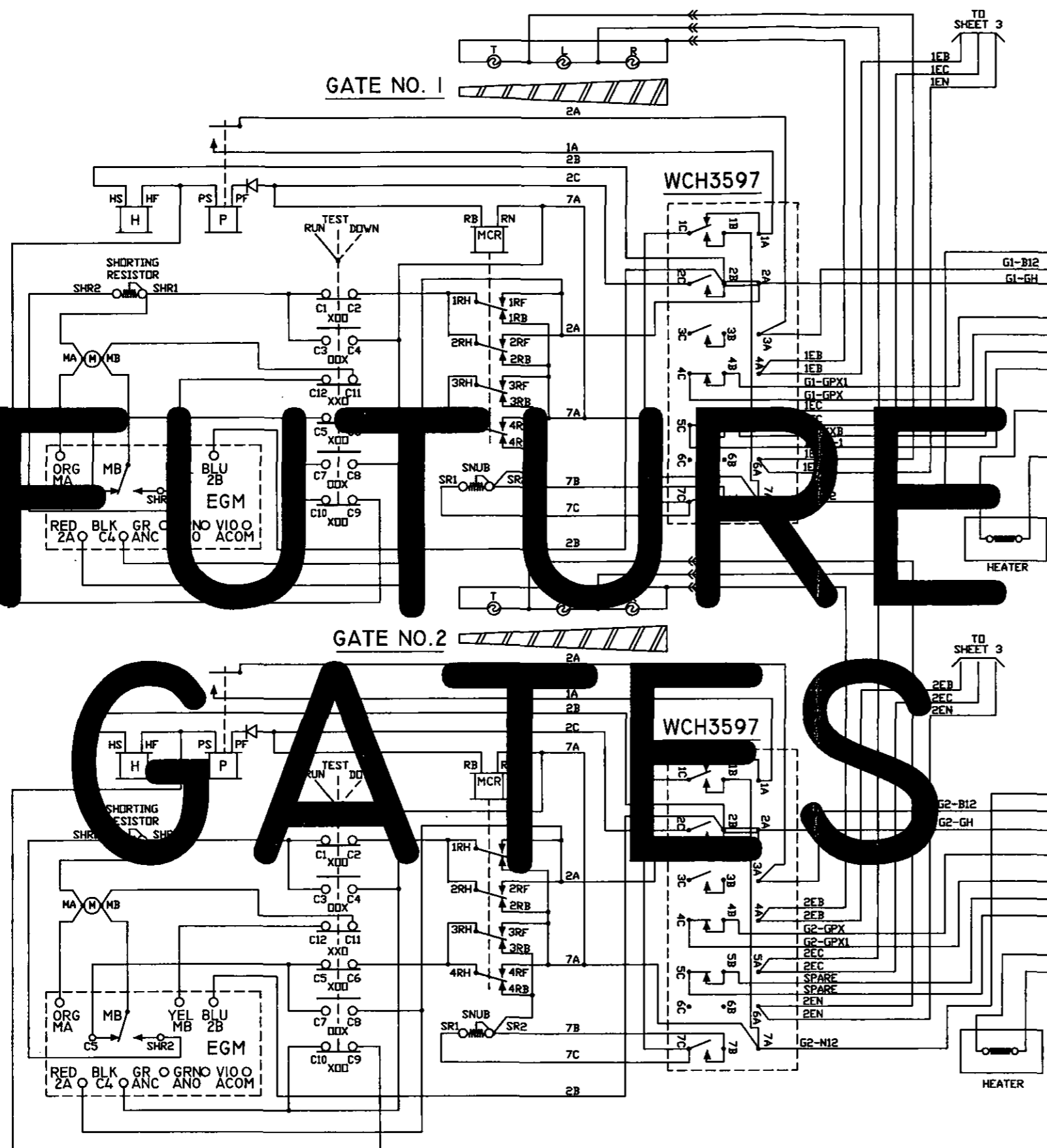


NOTES:
 1. ALL WIRE THIS SHEET IS #14 AWG FLEX UNLESS OTHERWISE NOTED.
 2. (T) DENOTES TWISTED PAIR.

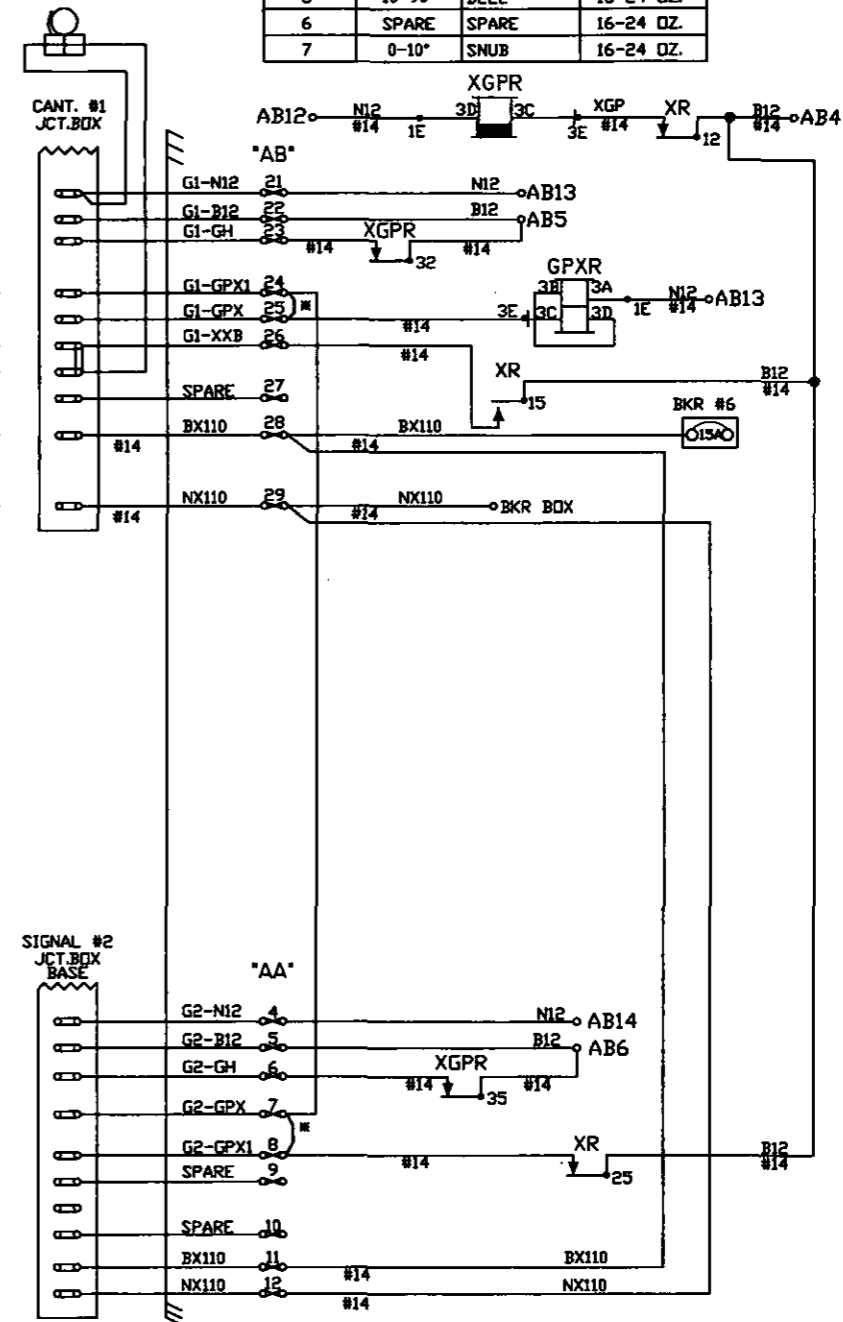
DIAMONDBACK SIGNAL (410) 795-9601 5965 EXCHANGE DRIVE SUITE "D" SYKESVILLE, MD 21784	AS WIRED		AS INSTALLED	
	SHAMOKIN VALLEY RAILROAD RAILROAD CROSSING WARNING DEVICES			
	SCALE: NONE	APPROVED BY:	DRAWN BY: KDL	
	DATE: 9/29/2019		REVISED:	
US ROUTE 54 - DOT # 591 840N - M.P. 25.63 LOGUST GAP, NORTHLUMERLAND COUNTY, PA				
CIRCUIT PLAN "A"			DRAWING NUMBER 025.63	

FUTURE

GATES



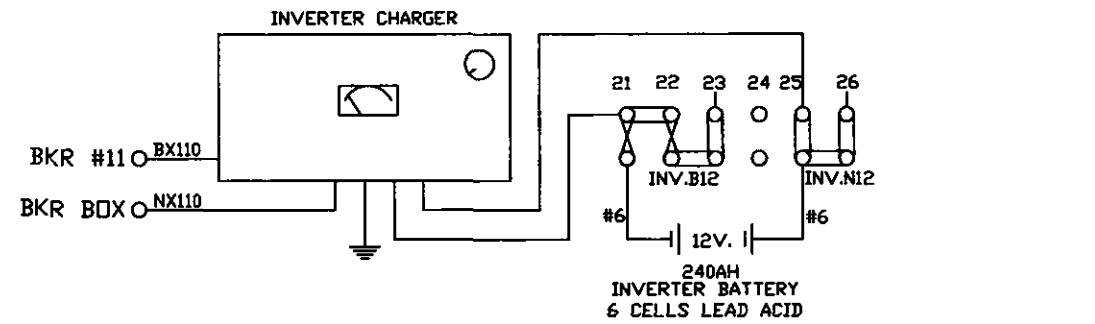
CONTACT	CLOSED	FUNCTION	TENSION
1B	75-90°	POWER DOWN	18-22 OZ.
1F	0-70°	SNUB DOWN	18-22 OZ.
2	0-86°	POWER UP	18-28 OZ.
3	0-10°	GATE DOWN	16-24 OZ.
4	82-90°	GATE CLEAR	16-24 OZ.
5	10-90°	BELL	16-24 OZ.
6	SPARE	SPARE	16-24 OZ.
7	0-10°	SNUB	16-24 OZ.



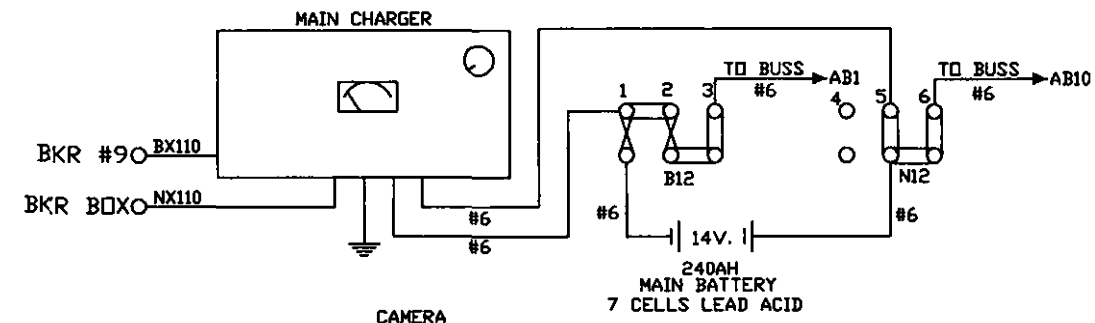
NOTES:
 ALL WIRE ON THIS SHEET IS #10AWG UNLESS OTHERWISE NOTED.
 * = TEMPORARY "GATE READY" JUMPER.

RECEIVED
 2019 OCT 21 AM 9:55
 PA P&S BUREAU
 SECRETARY'S BUREAU

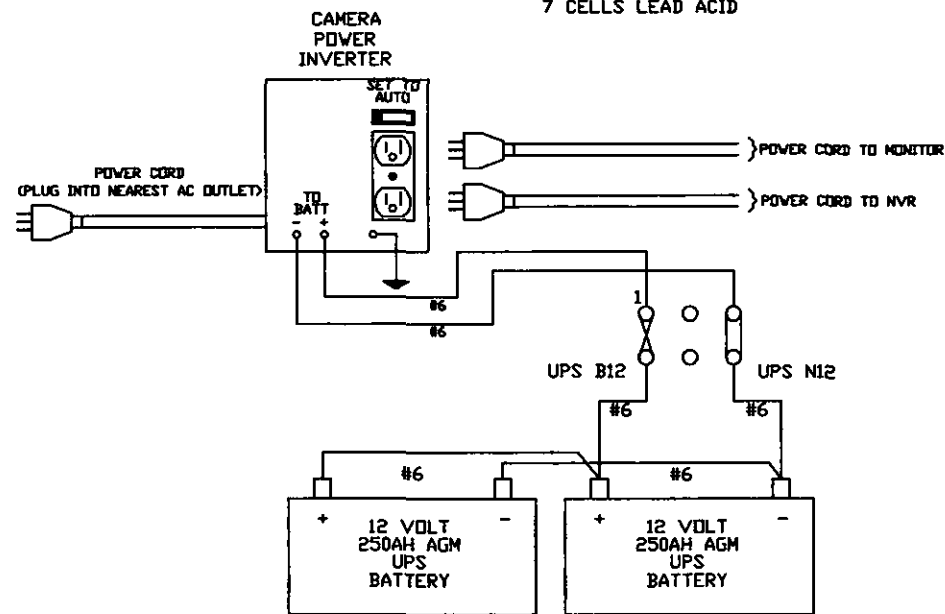
DIAMONDBACK SIGNAL (410) 795-9601 5965 EXCHANGE DRIVE SUITE "D" SYKESVILLE, MD 21784	AS WIRED	AS INSTALLED	
	SHAMOKIN VALLEY RAILROAD RAILROAD CROSSING WARNING DEVICES		
	SCALE: NONE DATE: 9/29/2019	APPROVED BY:	DRAWN BY: KDL REVISED:
	US ROUTE 54 - DOT # 591 840N - M.P. 25.63 LOGUST GAP, NORTHLUMERLAND COUNTY, PA		DRAWING NUMBER 025.63



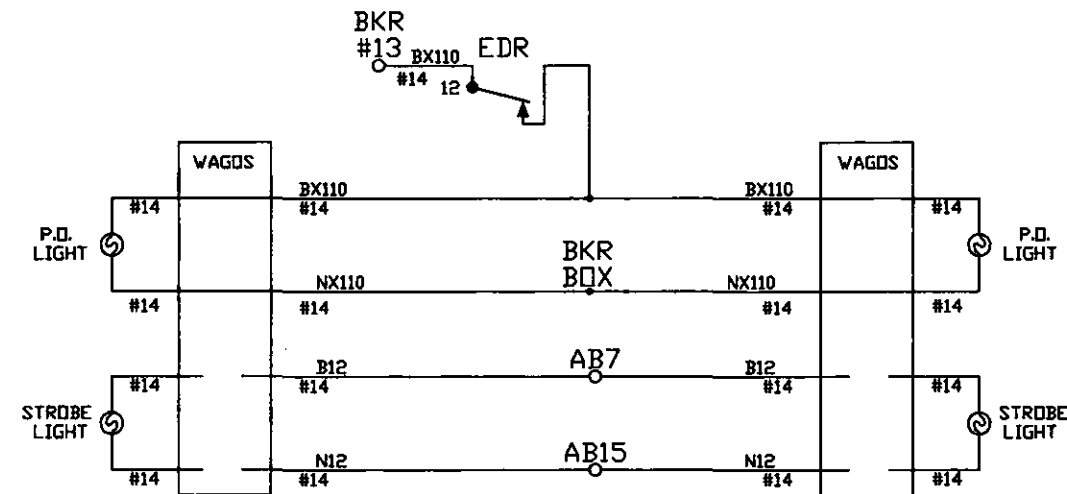
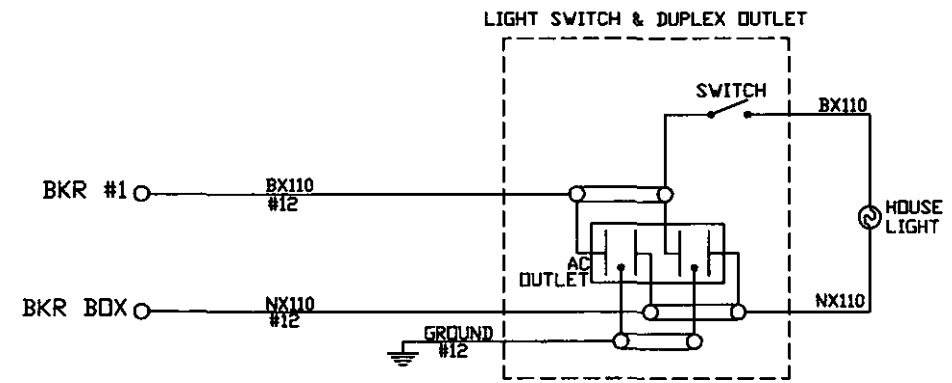
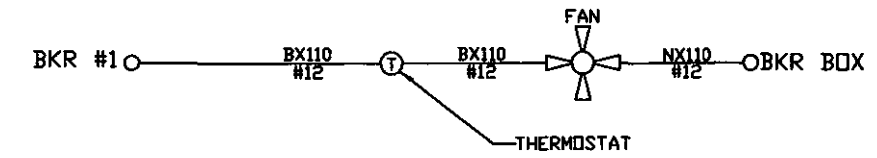
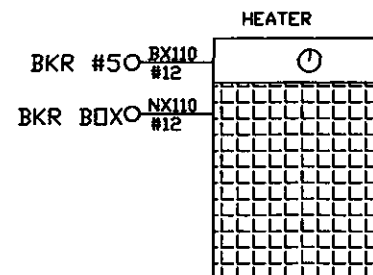
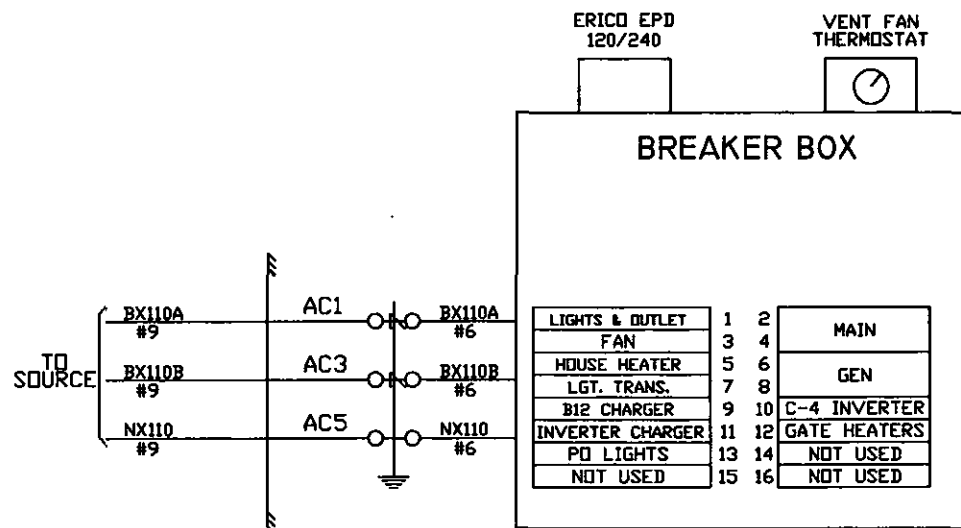
"BB"



"BB"



"CB"



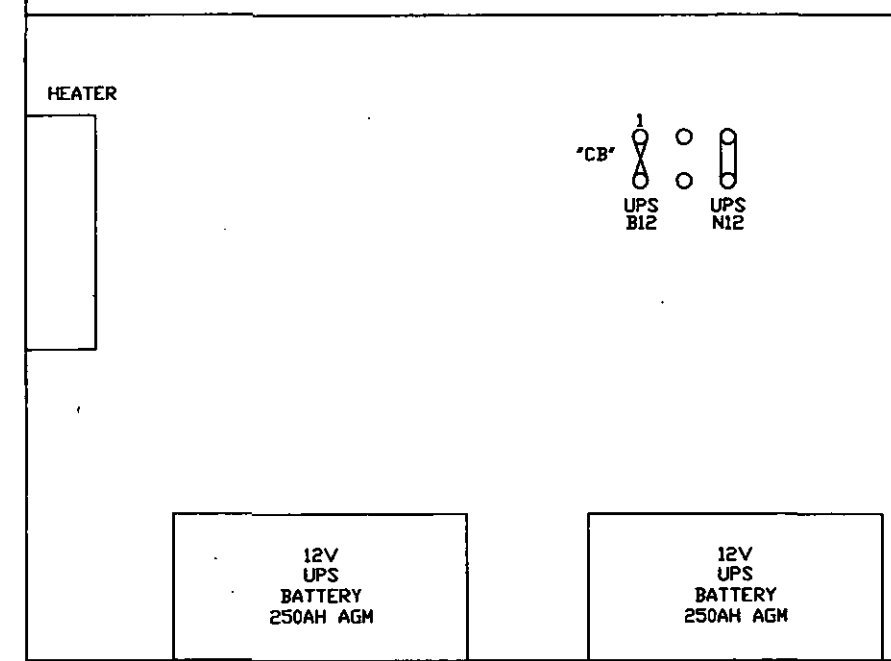
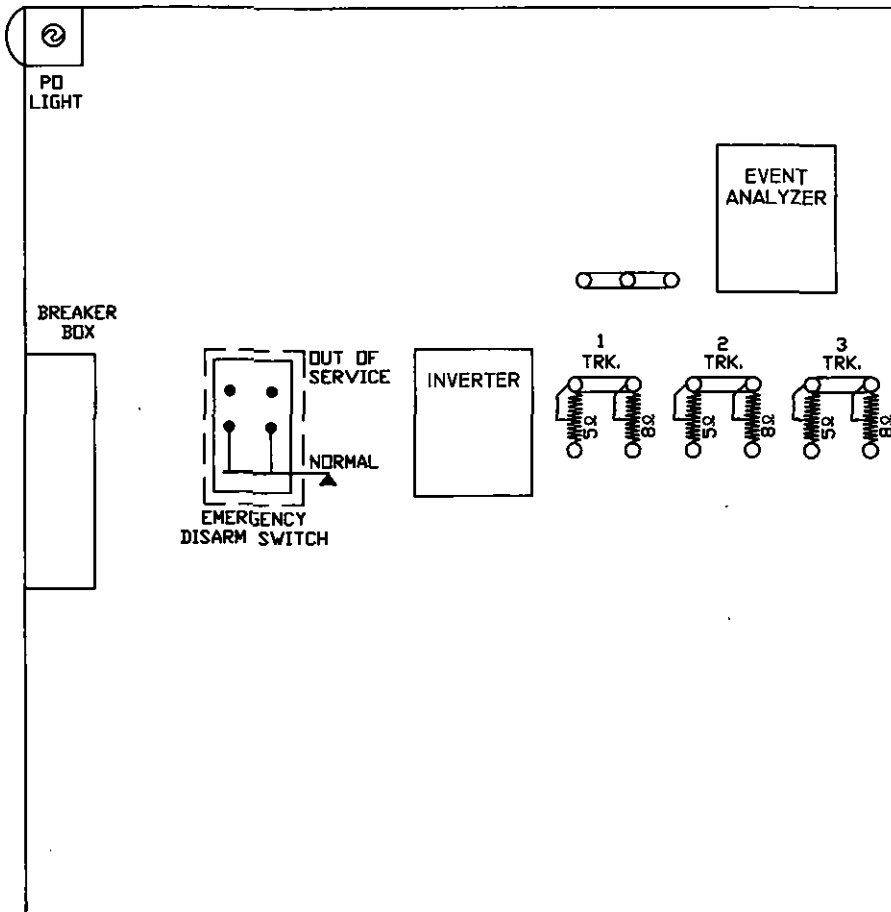
NOTE:
ALL WIRE THIS SHEET IS #10 AWG FLEX
UNLESS OTHERWISE NOTED.

AS WIRED AS INSTALLED

DIAMONDBACK SIGNAL (410) 795-9601 5965 EXCHANGE DRIVE SUITE "D" SYKESVILLE, MD 21784	SHAMOKIN VALLEY RAILROAD RAILROAD CROSSING WARNING DEVICES	
	SCALE: NONE DATE: 9/29/2019	APPROVED BY: _____ REVISED:
US ROUTE 54 - DOT # 591 840N - M.P. 25.63 LOGUST GAP, NORTHLUMERLAND COUNTY, PA		DRAWING NUMBER CIRCUIT PLAN "D"
		025.63

RECEIVED
 2019 OCT 21 AM 9:55
 PA PUC
 SECRETARY'S BUREAU

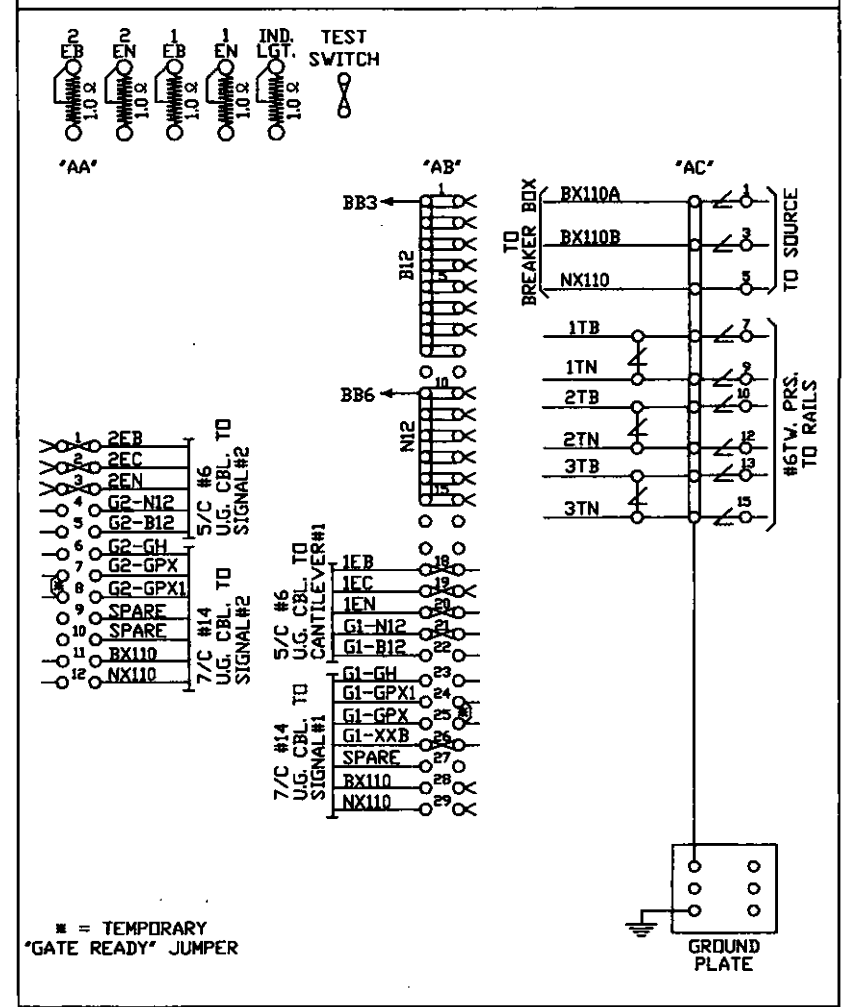
SIDE "C"



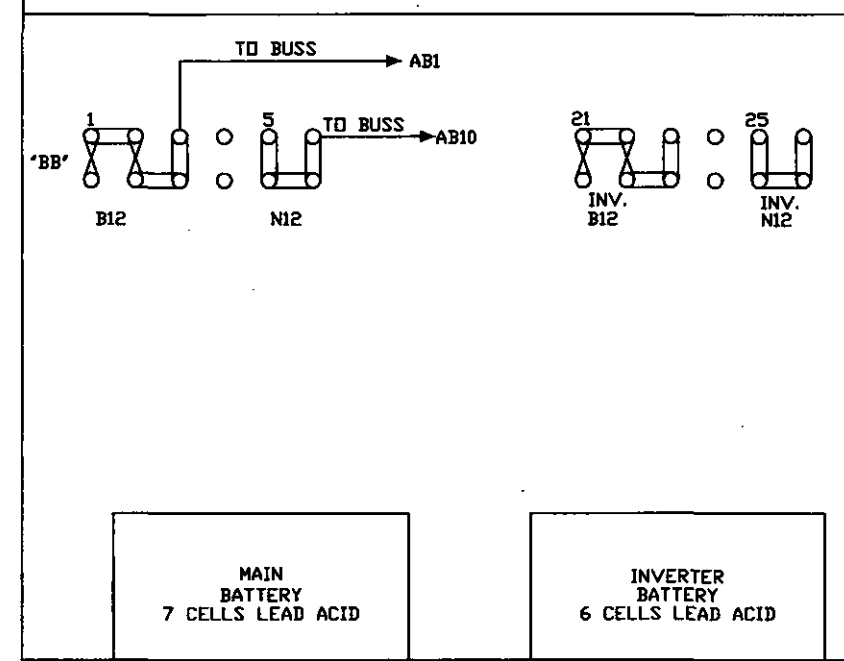
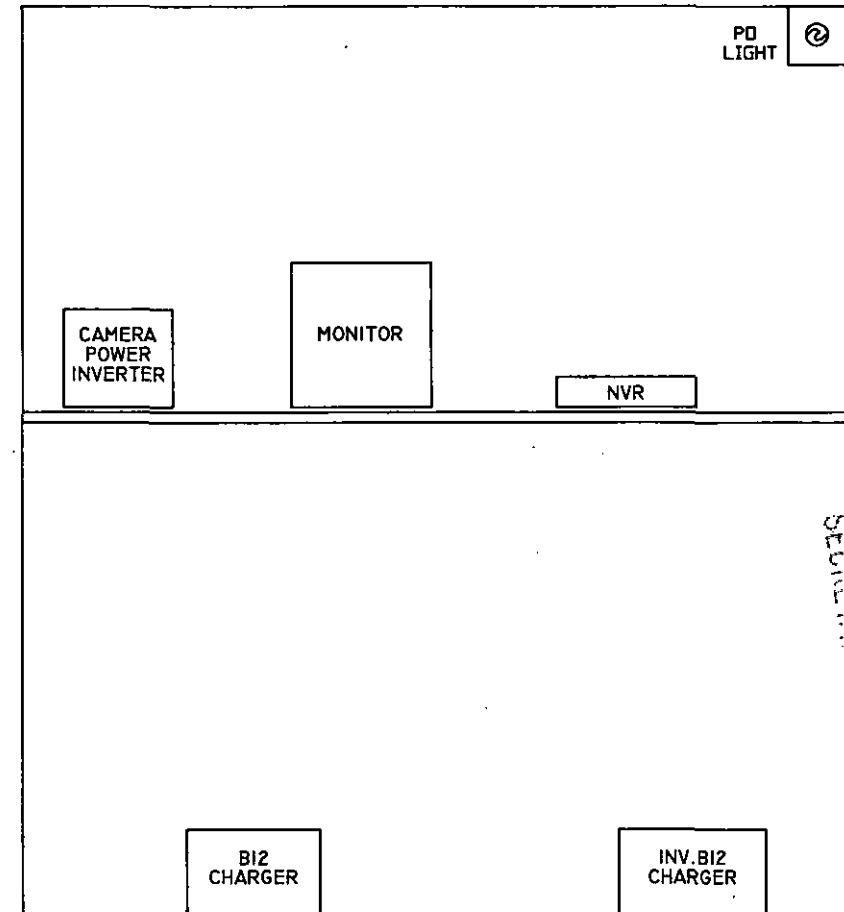
SIDE "A"

LIGHT TRANS.	POR	EOR	GPXR	XR	XGPR	EDR	PBSR
	12 FB	12 FB	12 B	12 F	12	12 B	12 B
	15 FB	15 FB	15 B	15	15	15	15
	22	32 FB	22 B	22	32 F	22	22
	25	35 FB	23 B	25 F	35 F	25 F	25 F
32 FB		25	32		32 B	32 B	
35 FB		35	35 B		35	35	
	A62-406	A62-671	A62-310	A62-262	A62-360	A62-262	A62-262

	SR	1 TR	2 TR	3 TR	3 SR	SLT-000 STICK RELEASE TIMER (10 MIN)
12	12 F	12 F	12 F	12 F	12	
15	15 F	15 FB	15 FB	15 FB	15 F	
22	22 B	22	22	22	22 B	
23	23	23	23	23	23	
25	25 F	25 F	25 F	25 F	25 F	
32	32	32	32	32	32	
35	35 B	35 B	35 B	35 B	35 B	
	A62-357	A62-120	A62-120	A62-120	A62-357	



SIDE "B"



RECEIVED
 2019 OCT 21 AM 9:55
 PA PUC
 SECRETARY'S BUREAU

DIAMONDBACK SIGNAL (410) 795-9601 5965 EXCHANGE DRIVE SUITE "D" SYKESVILLE, MD 21784	AS WIRED		AS INSTALLED	
	SHAMOKIN VALLEY RAILROAD RAILROAD CROSSING WARNING DEVICES			
	SCALE: NONE	DATE: 9/29/2019	APPROVED BY:	DRAWN BY: KDL
	US ROUTE 54 - DOT # 591 840N - M.P. 25.63 LOGUST GAP, NORTHLUMERLAND COUNTY, PA			REVISED:
RELAY HOUSE LAYOUT			DRAWING NUMBER 025.63	

I hereby certify that I have this day served a true copy of the foregoing document upon the participants, listed below, in accordance with the requirements of § 5.14, by first class mail, postage prepaid:

Mr. Mark Chappell, P.E., Chief
PA Department of Transportation
Bureau of Design
Utilities and Right-of-Way Section
P.O. Box 3362
Harrisburg, Pennsylvania 17105-3362

Ms. Gina D'Alfonso, Assistant Counsel
PA Department of Transportation
Office of Chief Counsel
P.O. Box 3265
Harrisburg, Pennsylvania 17105-3265

Mr. Steve Betts
PA Department of Transportation
Engineering District 3-0 Utilities
715 Jordan Avenue
Montoursville, PA 17754

Mr. Ron Hull, PE
Pennsylvania Public Utility Commission
PO Box 3265
Harrisburg, PA 17105-3265

Mr. George Fury, Property Manager
SEDA COG Joint Rail Authority
201 Furnace Road
Lewisburg, PA 17837

Mr. Tom Avery, Director of Operations
North Shore Railroad Company
356 Priestly Avenue
Northumberland, PA 17857

Maryrose B. McCarthy, Chief Clerk
Northumberland County Commissioners
399 South Fifth Street
Sunbury, PA 17801

Holly Brandon, Chief Clerk
Montour County Commissioners
29 Mill Street
Danville, PA 17821

David Witchey, Chief Clerk
Columbia County Commissioners
11 West Main Street
Bloomsburg, PA 17815

Shannon Berkey, Borough Manager
Danville Borough
239 Mill Street
Danville, PA 17821

Casandra Mowery, Treasurer
Berwick Borough
344 Market Street
Berwick, PA 18603

Janice Bowman, Secretary
Northumberland Borough
175 Orange Street
Northumberland, PA 17857

Lauren Martz, Town Administrator
Town of Bloomsburg
301 East Second Street
Bloomsburg, PA 17815

Brittany Stasik, Secretary
Scott Township Supervisors
350 Tenny Street
Bloomsburg, PA 17815

Dale Sneidman, Secretary
South Centre Township Supervisors
6260 4th Street
Bloomsburg, PA 17815

Lisa Fiamoncini, Clerk
Mount Carmel Township Supervisors
300 Laurel Street
Mount Carmel, PA 17851

Donald Phillips, Engineer
Service Electric Cable TV, Inc.
3662 Point Township Drive
Northumberland, PA 17857

Andrew Minnich, Staff Engineer
UGI Penn Natural Gas, Inc.
1 PEI Center
Wilkes Barre, PA 18711

Robert Jaworski, Engineer
Verizon of Pennsylvania
11 Ridge Road
Bloomsburg, PA 17815

Gloria Bobersky, Manager
Berwick Area Joint Sewer Authority
1108 Freas Avenue
Berwick, PA 18603

Jeremy Dietrick, Manager
Northumberland Sewer Authority
100 Water Street
Northumberland, PA 17857

Randy Wilkin, Engineer
Pennsylvania American Water Co.
306 West Front Street
Berwick, PA 18603

Charlotte Krupa, PennDOT Liaison
PPL Electric Utilities Corporation
Two North Ninth Street
GENN 3
Allentown, PA 18101

Tate Hunsinger, Engineer
Suez Water PA
90 Irondale Road
Bloomsburg, PA 17815

John Klinger, Engineer
AQUA Pennsylvania Incorporated
204 East Sunbury Street
Shamokin, PA 17872

We respectfully request the approval of these plans. Should you have any questions or concerns, please contact me.

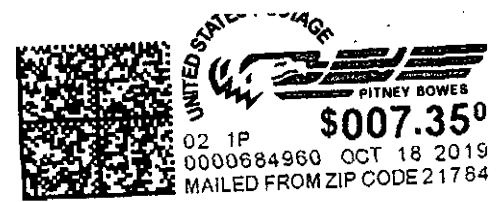
Dated this 18th day of October 2019.



Kevin Lamb
(410) 795-9601

PRESS FIRMLY TO SEAL

PRESS FIRMLY TO SEAL



PRIORITY[®] MAIL

- Date of delivery specified*
- USPS TRACKING™ included to many major international destinations.
- Limited international insurance.
- Pick up available.*
- Order supplies online.*
- When used internationally, a customs declaration label may be required.

* Domestic only



PS00001000014

EP14F Oct 2018
OD: 12 1/2 x 9 1/2



DIAMONDBACK SIGNAL
5965 Exchange Drive
Suite D
Sykesville, MD 21784

Rosemary Chiavetta, Secretary
Pennsylvania Public Utility Commission
PO Box 3265
Harrisburg, PA 17105-3265

To see
Package Pickup,
scan the QR code.



USPS.COM/PICKUP