



DIAMONDBACK

RECEIVED

2019 OCT 21 AM 9:47

PA PUC
SECRETARY'S BUREAU

October 18, 2019

Rosemary Chiavetta, Secretary
Pennsylvania Public Utility Commission
PO Box 3265
Harrisburg, PA 17105-3265

In re: **A-2019-3011410**, application of the Commonwealth of Pennsylvania, Department of Transportation, for approval to alter twelve (12) public at-grade crossings by the installation of new active traffic control devices and three high-type concrete crossing surfaces where various local roadways cross the twelve (12) tracks of SEDA-COG Joint Rail Authority, operated on by Lycoming Valley Railroad in various municipalities in Lycoming County; ***all in accordance with the Federal Grade Crossing Program***; and the allocation of costs incident thereto.

<u>Highway</u>	<u>DOT No.</u>	<u>Municipality</u>
1. SR 147 (King St)	264 183A	Northumberland
2. Orange Street	264 182T	Northumberland
3. Railroad Street	264 155W	Danville
4. Wall Street	264 153H	Danville
5. Central Road	265 992N	Bloomsburg
6. Industrial Park Dr.	908 921W	Bloomsburg
7. S. Eaton Street	266 013M	Berwick
8. SR 54	591 840N	Locust Gap

Dear Rosemary Chiavetta:

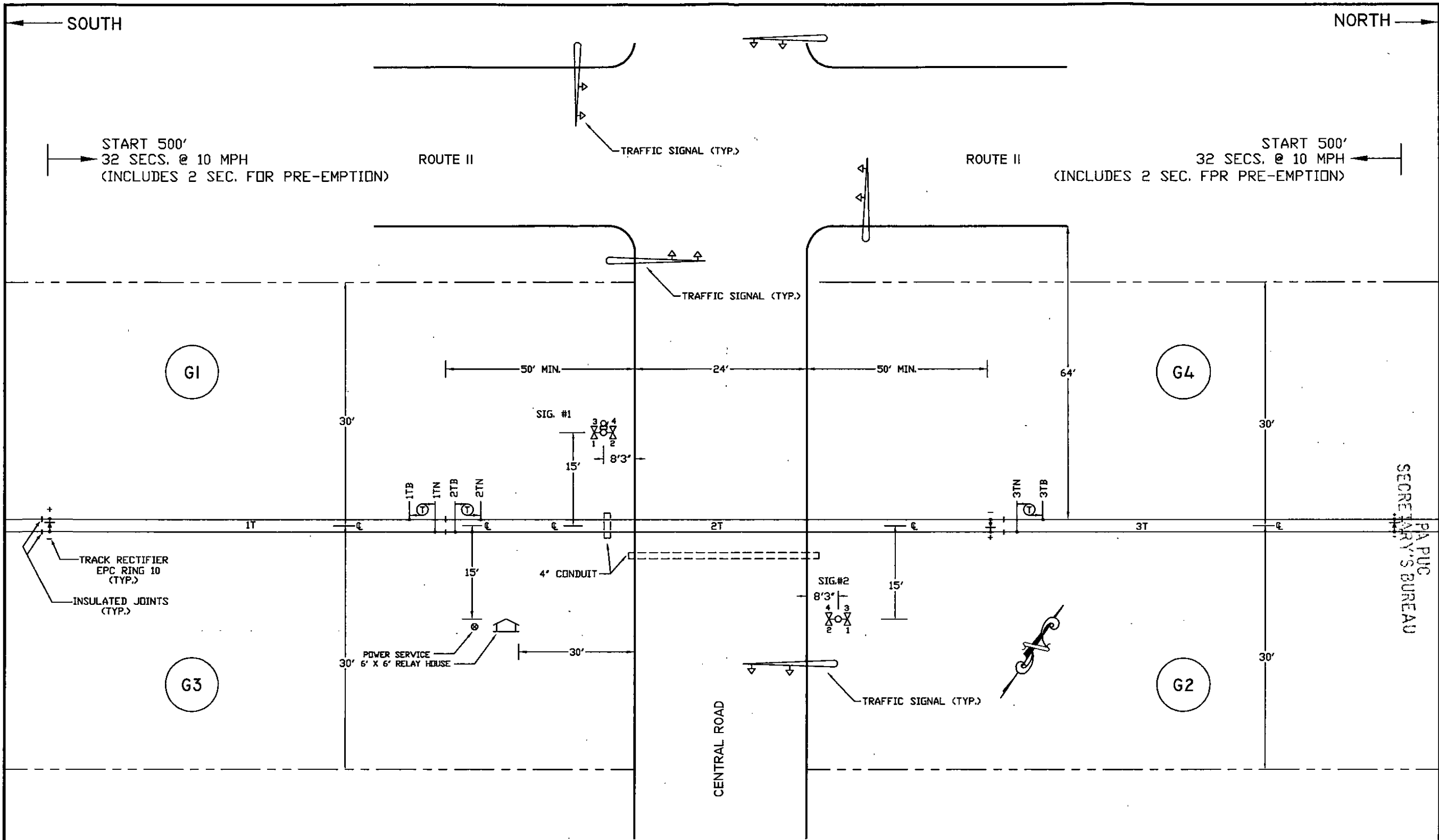
A copy of the circuit plans for has been served upon the parties in the Certificate of Service.

Diamondback Signal is sending this on behalf of the North Shore Railroad.

Sincerely,

Kevin Lamb
Vice President Engineering

Enclosures



NOTES:

1. MATERIAL & INSTALLATION TO BE IN ACCORDANCE WITH MUTCD, STATE AND RAILROAD STANDARDS.
2. ALL DIMENSIONS ARE APPROXIMATE AND MAY VARY DUE TO ACTUAL FIELD CONDITIONS.
3. EQUIPMENT TO BE PLACED TO ALLOW FOR FUTURE GATES.
4. (T) DENOTES TWIST PAIR.

CABLE RUN TABULATION

- | | |
|------------------------|------------------------|
| HOUSE TO SIGNAL #1 | - 5/C #6 UG CABLE |
| HOUSE TO SIGNAL #2 | - 7/C #14 UG CABLE |
| HOUSE TO POWER SERVICE | - 5/C #6 UG CABLE |
| HOUSE TO 1TN & 1TB | - 7/C #14 UG CABLE |
| HOUSE TO 2TN & 2TB | - 3/C #9 UG CABLE |
| HOUSE TO 3TN & 3TB | - #6 TW. PAIR UG CABLE |
| | - #6 TW. PAIR UG CABLE |

DIAMONDBACK SIGNAL
 (410) 795-9601
 5965 EXCHANGE DRIVE
 SUITE "D"
 SYKESVILLE, MD
 21784

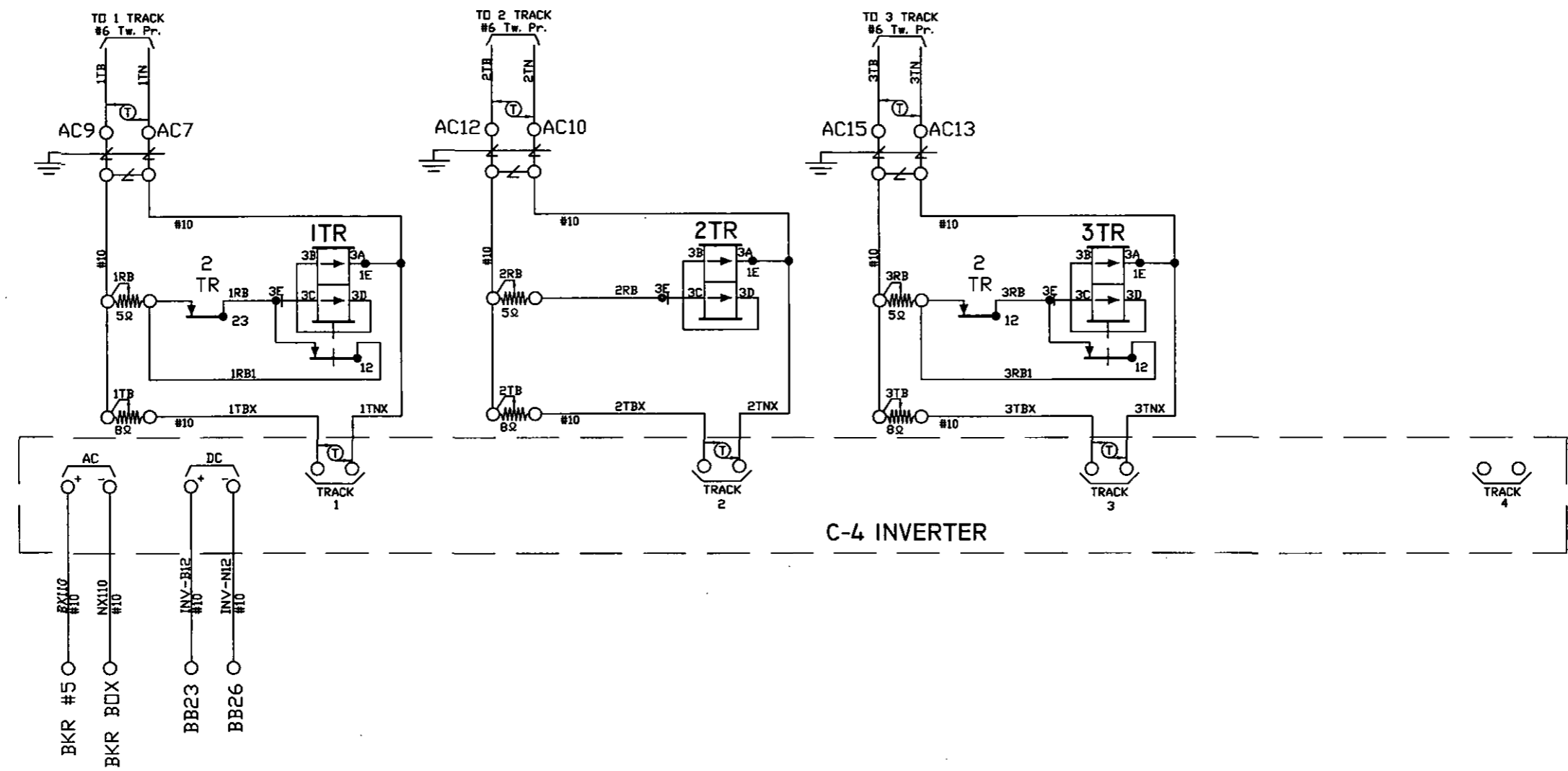
AS WIRED		AS INSTALLED	
NORTH SHORE RAILROAD RAILROAD CROSSING WARNING DEVICES			
SCALE: NONE	APPROVED BY:	DRAWN BY: KDL	
DATE: 9/29/2019		REVISED:	
CENTRAL ROAD - DOT # 265 992N BLOOMSBURG, COLUMBIA COUNTY, PA			
TRACK & CABLE PLAN			DRAWING NUMBER 187.71

PA PUC
SECRETARY'S BUREAU

2019 OCT 21 AM 9:52

RECEIVED

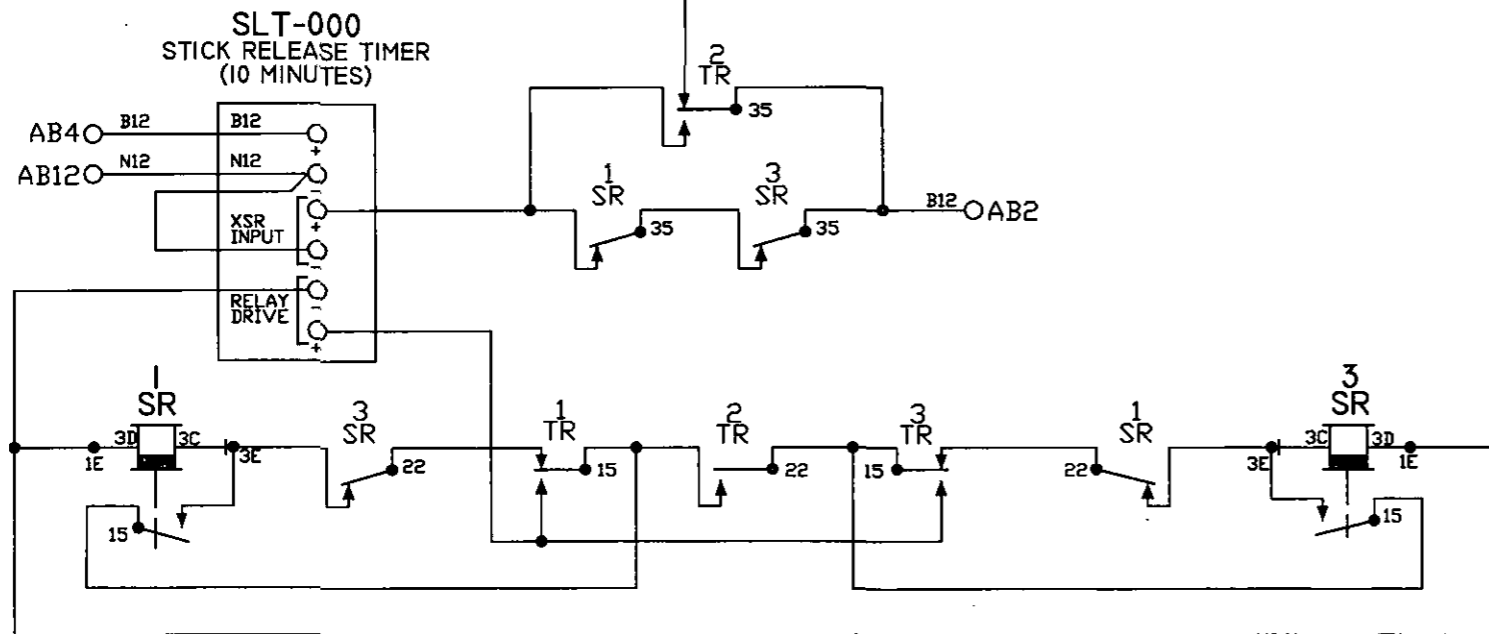
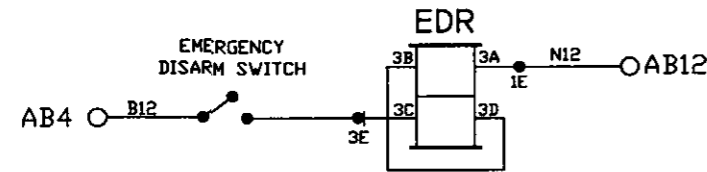
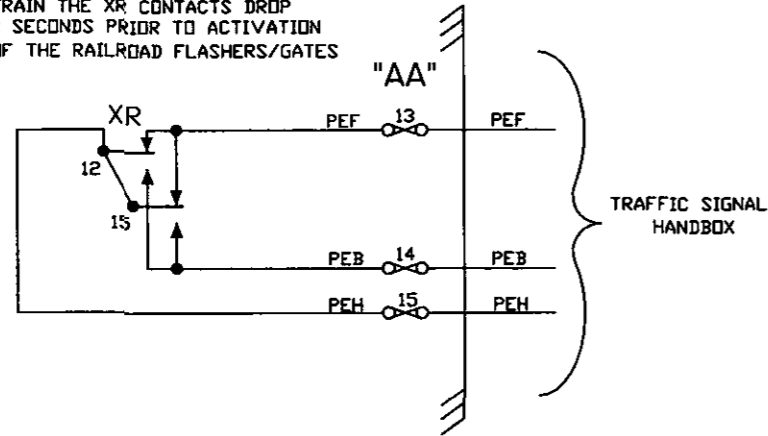
RECEIVED
 2019 OCT 21 AM 9:52
 PA PUC
 SECRETARY'S BUREAU



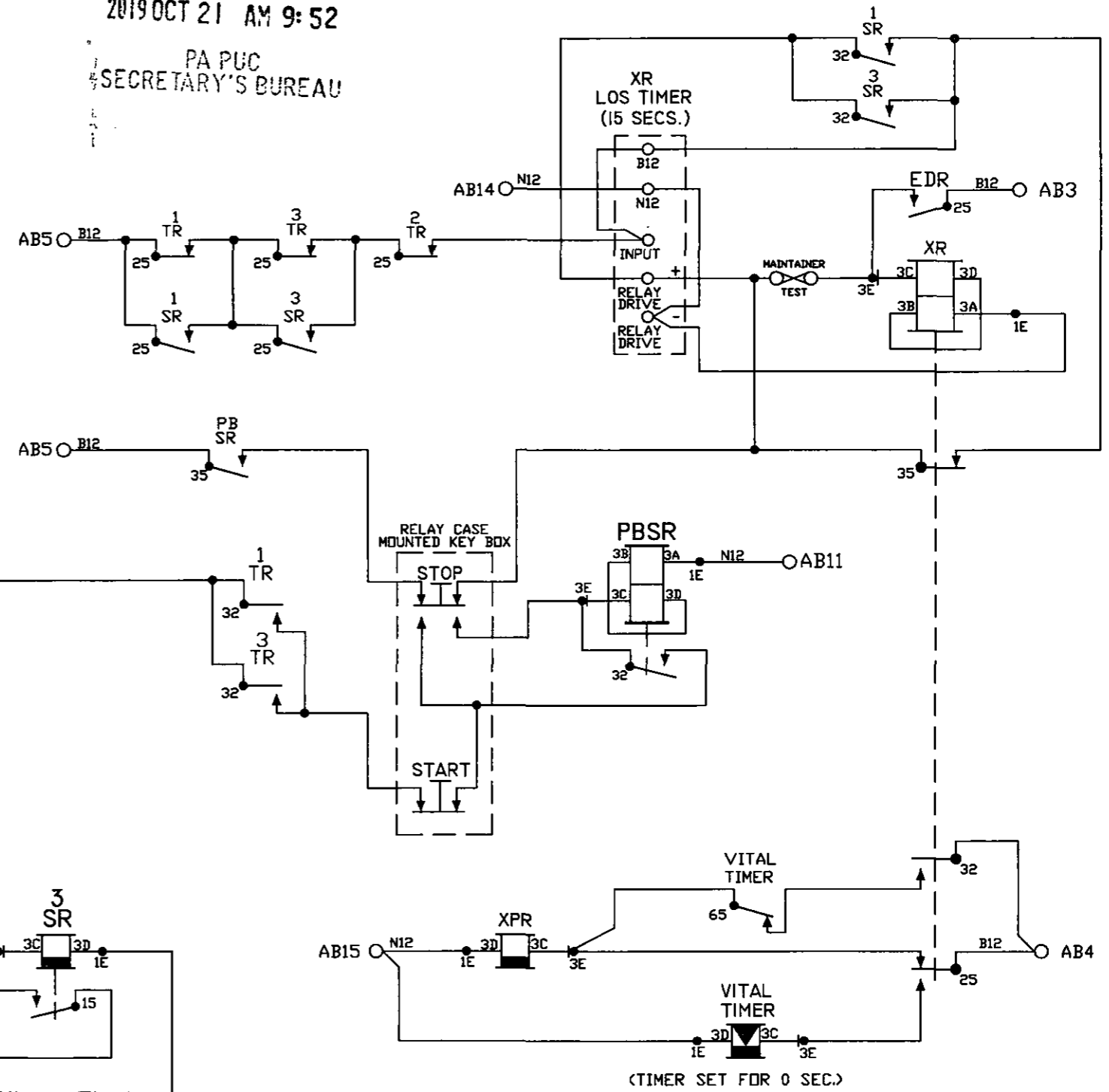
C-4 INVERTER

DIAMONDBACK SIGNAL (410) 795-9601 5965 EXCHANGE DRIVE SUITE 'D' SYKESVILLE, MD 21784	AS WIRED		AS INSTALLED	
	NORTH SHORE RAILROAD RAILROAD CROSSING WARNING DEVICES			
	SCALE: NONE	APPROVED BY:	DRAWN BY: KDL	
	DATE: 9/29/2019		REVISED:	
CENTRAL ROAD - DOT # 265 992N BLOOMSBURG, COLUMBIA COUNTY, PA				
CIRCUIT PLAN "A"			DRAWING NUMBER 187.71	

UPON THE APPROACH OF A TRAIN THE XR CONTACTS DROP 2 SECONDS PRIOR TO ACTIVATION OF THE RAILROAD FLASHERS/GATES



RECEIVED
2019 OCT 21 AM 9:52
PA PUC
SECRETARY'S BUREAU



NOTES:

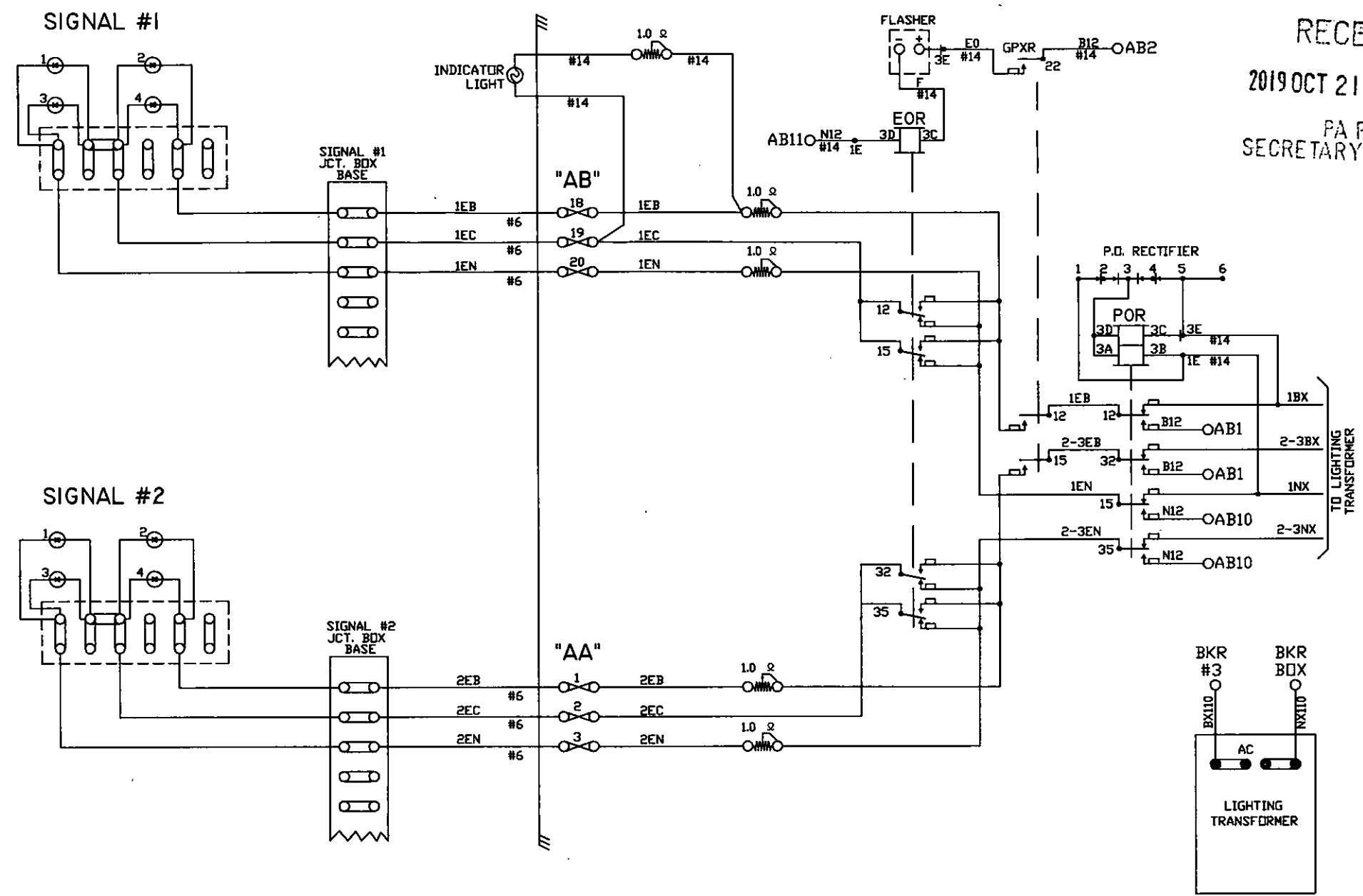
1. ALL WIRE THIS SHEET IS #14 AWG FLEX UNLESS OTHERWISE NOTED.
2. (T) DENOTES TWISTED PAIR.

DIAMONDBACK SIGNAL

(410) 795-9601
5965 EXCHANGE DRIVE
SUITE "D"
SYKESVILLE, MD
21784

AS WIRED		AS INSTALLED	
NORTH SHORE RAILROAD RAILROAD CROSSING WARNING DEVICES			
SCALE: NONE	APPROVED BY:	DRAWN BY: KDL	
DATE: 9/29/2019		REVISED:	
CENTRAL ROAD - DOT # 265 992N BLOOMSBURG, COLUMBIA COUNTY, PA			
CIRCUIT PLAN "B"			DRAWING NUMBER 187.71

RECEIVED
 2019 OCT 21 AM 9:52
 PA PUC
 SECRETARY'S BUREAU

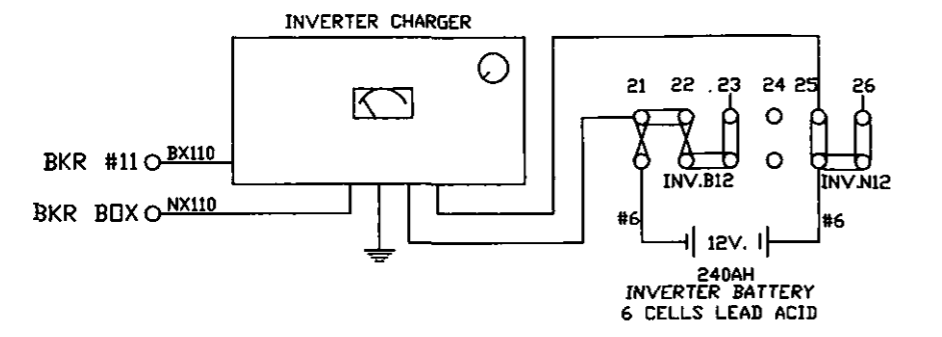


NOTE:
 ALL WIRE THIS SHEET IS #10 AWG. FLEX
 UNLESS OTHERWISE NOTED.

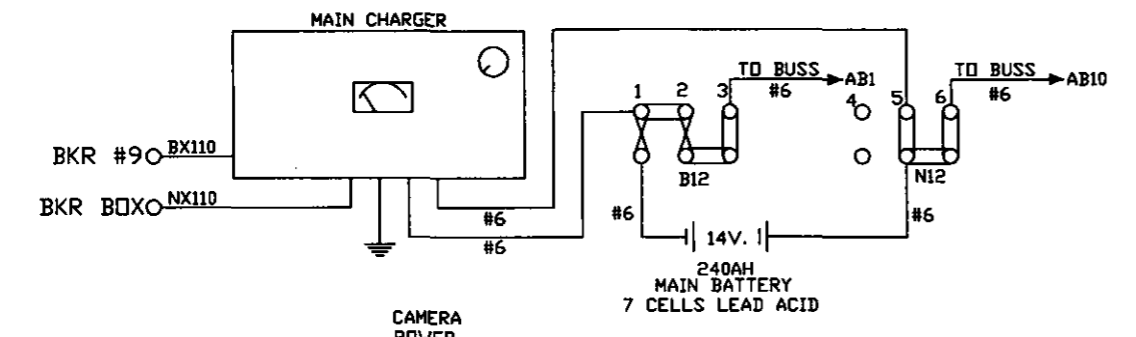
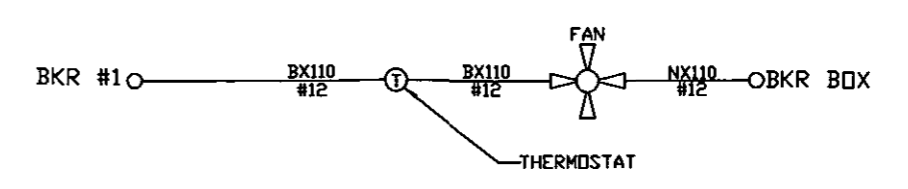
DIAMONDBACK SIGNAL	AS WIRED		AS INSTALLED	
	NORTH SHORE RAILROAD RAILROAD CROSSING WARNING DEVICES			
(410) 795-9601 5965 EXCHANGE DRIVE SUITE 'D' SYKESVILLE, MD 21784	SCALE: NONE	APPROVED BY:	DRAWN BY: KDL	
	DATE: 9/29/2019		REVISED:	
	CENTRAL ROAD - DOT # 265 992N BLOOMSBURG, COLUMBIA COUNTY, PA			DRAWING NUMBER
	CIRCUIT PLAN "C"			187.71

RECEIVED

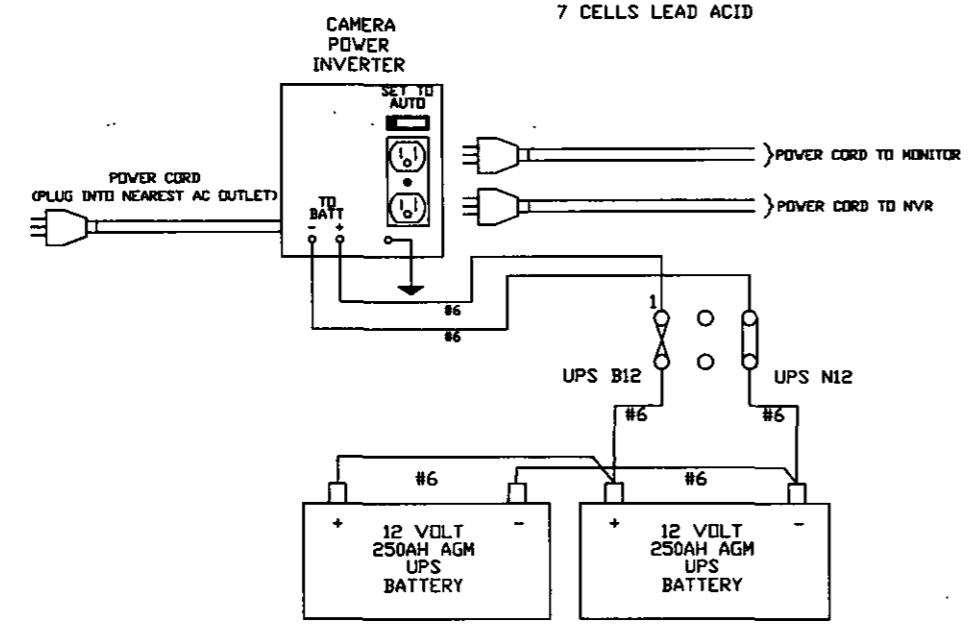
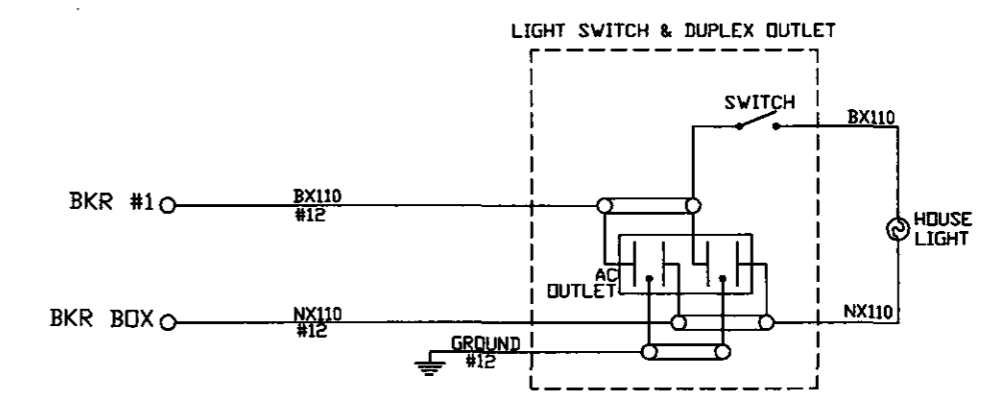
2019 OCT 21 AM 9:52
PA PUC
SECRETARY'S BUREAU



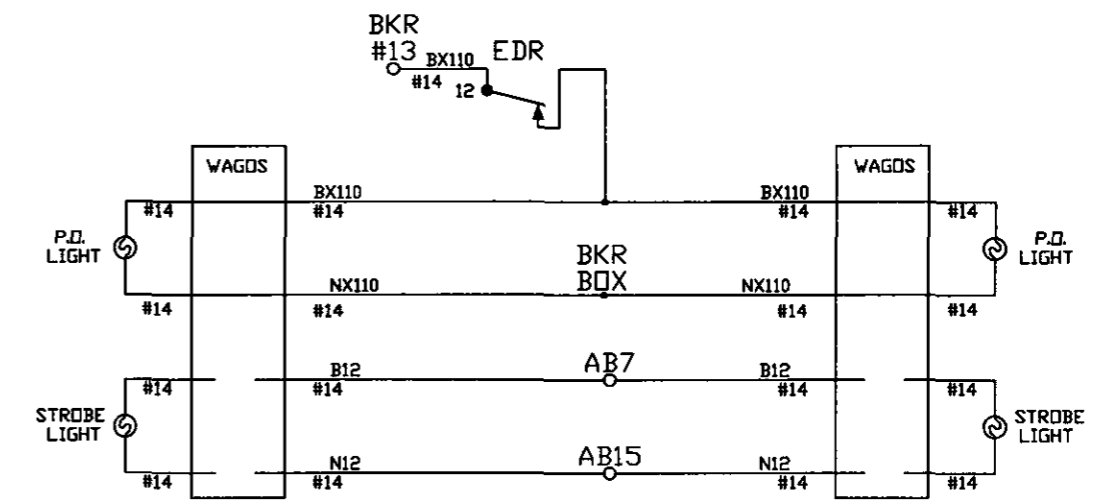
"BB"



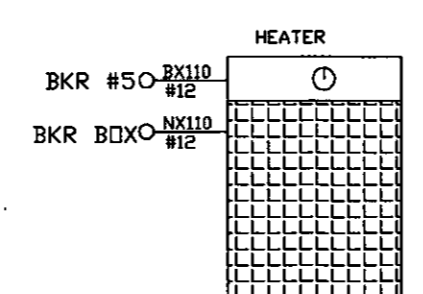
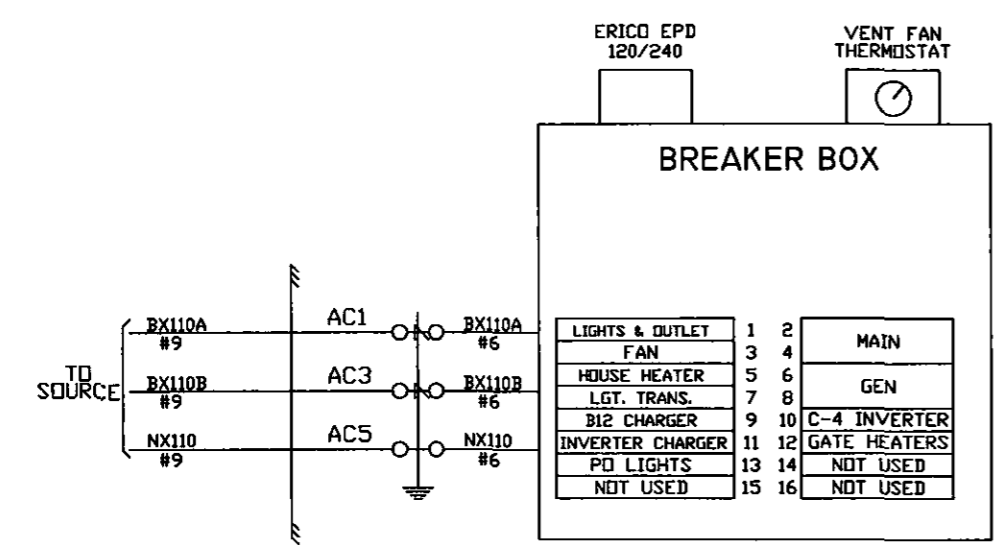
"BB"



"CB"



NOTE:
ALL WIRE THIS SHEET IS #10 AWG FLEX
UNLESS OTHERWISE NOTED.



AS WIRED AS INSTALLED

DIAMONDBACK SIGNAL

(410) 795-9601
5965 EXCHANGE DRIVE
SUITE 'D'
SYKESVILLE, MD
21784

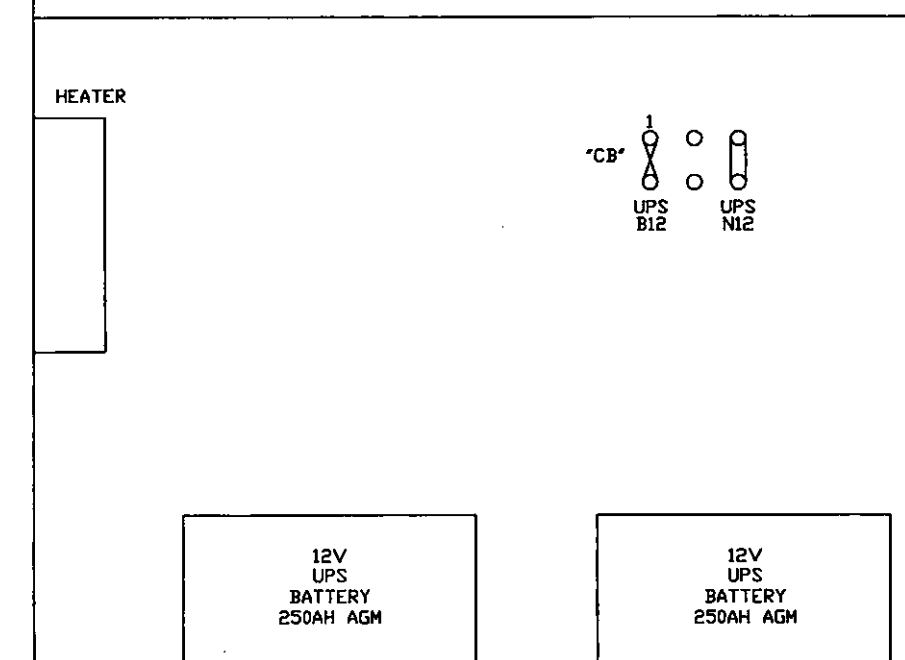
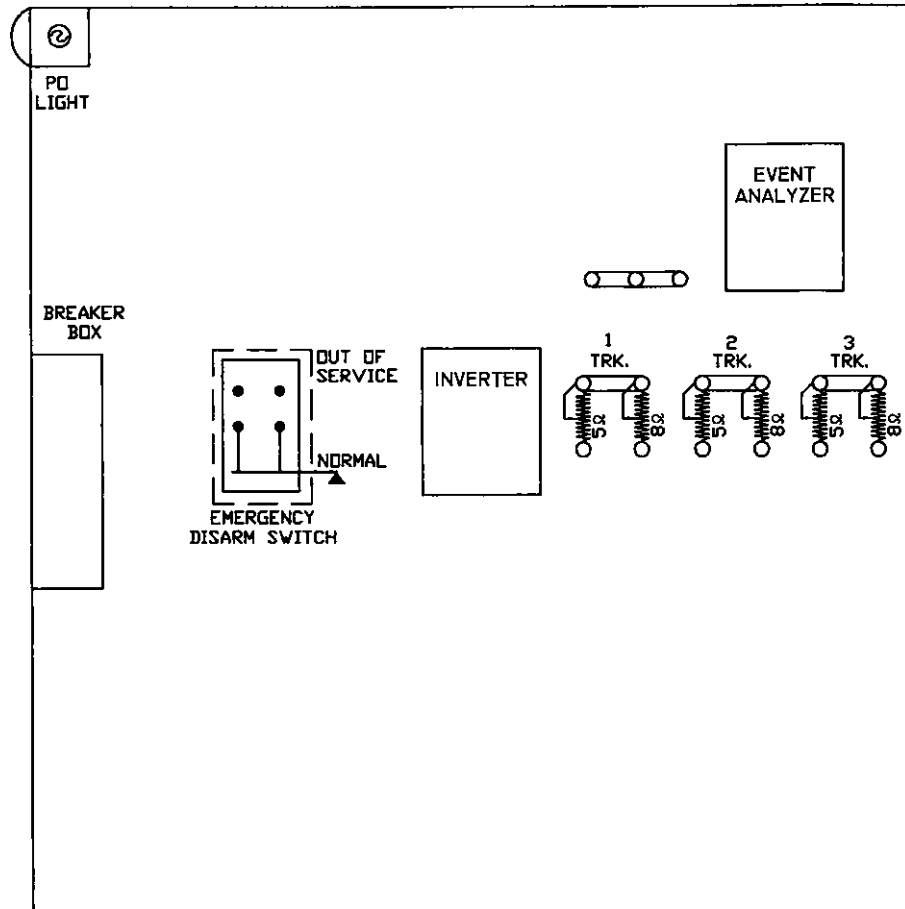
NORTH SHORE RAILROAD
RAILROAD CROSSING WARNING DEVICES

SCALE: NONE APPROVED BY: DRAWN BY: KDL
DATE: 9/29/2019 REVISED:

CENTRAL ROAD - DOT # 265 992N
BLOOMSBURG, COLUMBIA COUNTY, PA

CIRCUIT PLAN "E" DRAWING NUMBER
187.71

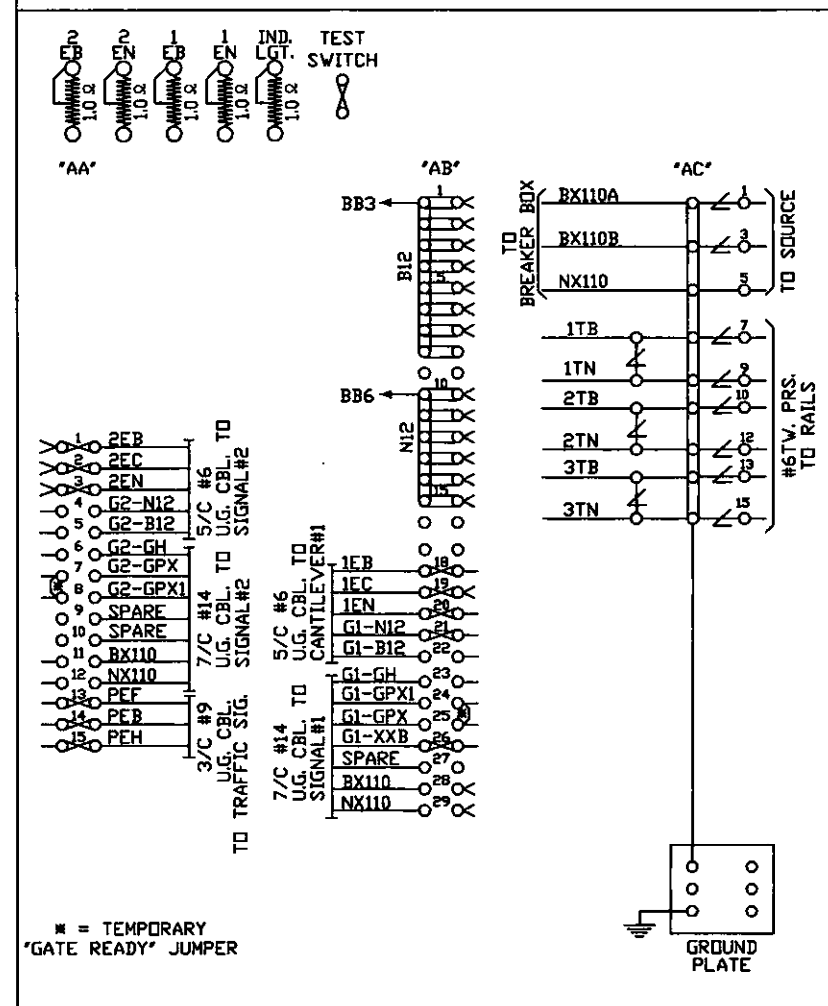
SIDE "C"



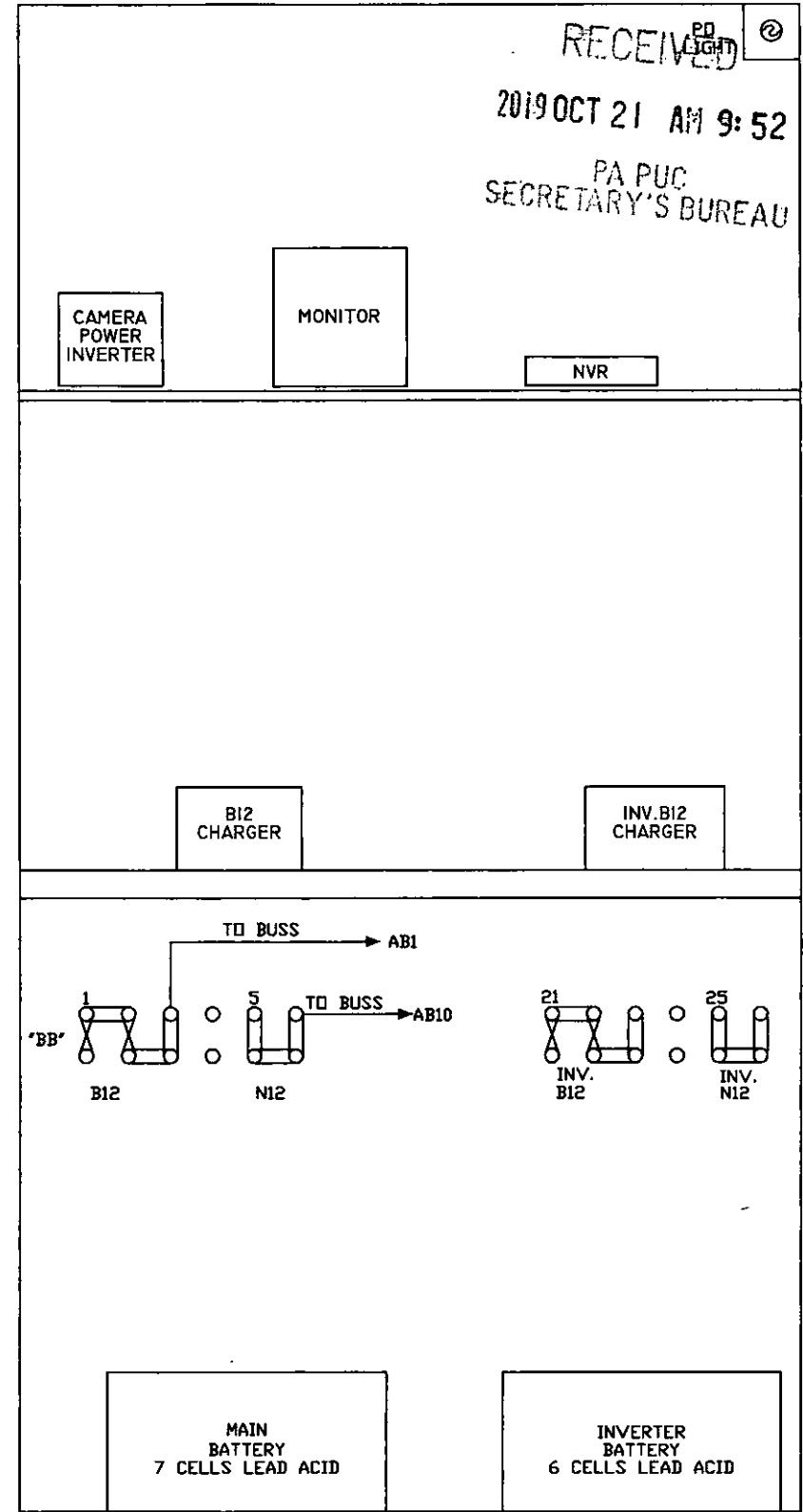
SIDE "A"

LIGHT TRANS.	POR	EOR	GPXR	XR	XPR	XGPR	EDR	PBSR
	12 FB	12 FB	12 B	12 F	12	12	12 B	12 B
	15 FB	15 FB	15 B	15 F	15	15	15	15
	22	32 FB	22 B	22	32 F	32 F	22	22
	25	35 FB	23	25 F	35 F	35 F	25 F	25 F
	32 FB		25	32			32 B	32 B
	35 FB		32	35 B			35	35
			35					
	A62-406	A62-671	A62-310	A62-262	A62-360	A62-360	A62-262	A62-262

	SR	TR	2 TR	3 TR	5 SR	SLY-000 STICK RELEASE TIMER (10 MIN)	(0 SEC.) VITAL TIMER
	12	12	12 F	12 F	12		42
	15 F	15 FB	15	15 FB	15 F		43
	22 B	22	22 B	22	22 B		46
	23	23	23 F	23	23		53
	25 F	25 F	25 F	25 F	25 F		56
	32	32	32	32	32		62
	35 B	35	35 B	35	35 B		65 B
	A62-357	A62-120	A62-120	A62-120	A62-357		A62-627



SIDE "B"



<p>DIAMONDBACK SIGNAL</p> <p>(410) 795-9601</p> <p>5965 EXCHANGE DRIVE SUITE "D" SYKESVILLE, MD 21784</p>	AS WIRED		AS INSTALLED	
	NORTH SHORE RAILROAD RAILROAD CROSSING WARNING DEVICES			
	SCALE: NONE	DATE: 9/29/2019	APPROVED BY:	DRAWN BY: KDL
	CENTRAL ROAD - DOT # 265 992N BLOOMSBURG, COLUMBIA COUNTY, PA			REVISED:
RELAY HOUSE LAYOUT			DRAWING NUMBER 187.71	

I hereby certify that I have this day served a true copy of the foregoing document upon the participants, listed below, in accordance with the requirements of § 5.14, by first class mail, postage prepaid:

Mr. Mark Chappell, P.E., Chief
PA Department of Transportation
Bureau of Design
Utilities and Right-of-Way Section
P.O. Box 3362
Harrisburg, Pennsylvania 17105-3362

Ms. Gina D'Alfonso, Assistant Counsel
PA Department of Transportation
Office of Chief Counsel
P.O. Box 3265
Harrisburg, Pennsylvania 17105-3265

Mr. Steve Betts
PA Department of Transportation
Engineering District 3-0 Utilities
715 Jordan Avenue
Montoursville, PA 17754

Mr. Ron Hull, PE
Pennsylvania Public Utility Commission
PO Box 3265
Harrisburg, PA 17105-3265

Mr. George Fury, Property Manager
SEDA COG Joint Rail Authority
201 Furnace Road
Lewisburg, PA 17837

Mr. Tom Avery, Director of Operations
North Shore Railroad Company
356 Priestly Avenue
Northumberland, PA 17857

Maryrose B. McCarthy, Chief Clerk
Northumberland County Commissioners
399 South Fifth Street
Sunbury, PA 17801

Holly Brandon, Chief Clerk
Montour County Commissioners
29 Mill Street
Danville, PA 17821

David Witchey, Chief Clerk
Columbia County Commissioners
11 West Main Street
Bloomsburg, PA 17815

Shannon Berkey, Borough Manager
Danville Borough
239 Mill Street
Danville, PA 17821

Casandra Mowery, Treasurer
Berwick Borough
344 Market Street
Berwick, PA 18603

Janice Bowman, Secretary
Northumberland Borough
175 Orange Street
Northumberland, PA 17857

Lauren Martz, Town Administrator
Town of Bloomsburg
301 East Second Street
Bloomsburg, PA 17815

Brittany Stasik, Secretary
Scott Township Supervisors
350 Tenny Street
Bloomsburg, PA 17815

Dale Sneiderman, Secretary
South Centre Township Supervisors
6260 4th Street
Bloomsburg, PA 17815

Lisa Fiamoncini, Clerk
Mount Carmel Township Supervisors
300 Laurel Street
Mount Carmel, PA 17851

Donald Phillips, Engineer
Service Electric Cable TV, Inc.
3662 Point Township Drive
Northumberland, PA 17857

Andrew Minnich, Staff Engineer
UGI Penn Natural Gas, Inc.
1 PEI Center
Wilkes Barre, PA 18711

Robert Jaworski, Engineer
Verizon of Pennsylvania
11 Ridge Road
Bloomsburg, PA 17815

Gloria Bobersky, Manager
Berwick Area Joint Sewer Authority
1108 Freas Avenue
Berwick, PA 18603

Jeremy Dietrick, Manager
Northumberland Sewer Authority
100 Water Street
Northumberland, PA 17857

Randy Wilkin, Engineer
Pennsylvania American Water Co.
306 West Front Street
Berwick, PA 18603

Charlotte Krupa, PennDOT Liaison
PPL Electric Utilities Corporation
Two North Ninth Street
GENN 3
Allentown, PA 18101

Tate Hunsinger, Engineer
Suez Water PA
90 Irondale Road
Bloomsburg, PA 17815

John Klinger, Engineer
AQUA Pennsylvania Incorporated
204 East Sunbury Street
Shamokin, PA 17872

We respectfully request the approval of these plans. Should you have any questions or concerns, please contact me.

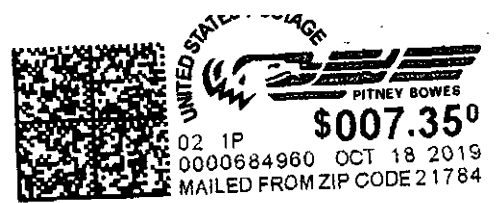
Dated this 18th day of October 2019.



Kevin Lamb
(410) 795-9601

PRESS FIRMLY TO SEAL

PRESS FIRMLY TO SEAL



PRIORITY[®] MAIL

- Date of delivery specified*
- USPS TRACKING™ included to many major international destinations.
- Limited international insurance.
- Pick up available.*
- Order supplies online.*
- When used internationally, a customs declaration label may be required.

* Domestic only



PS00001000014

EP14F Oct 2018
OD: 12 1/2 x 9 1/2



DIAMONDBACK SIGNAL
5965 Exchange Drive
Suite D
Sykesville, MD 21784

Rosemary Chiavetta, Secretary
Pennsylvania Public Utility Commission
PO Box 3265
Harrisburg, PA 17105-3265

To see
Package Pickup,
scan the QR code.



USPS.COM/PICKUP