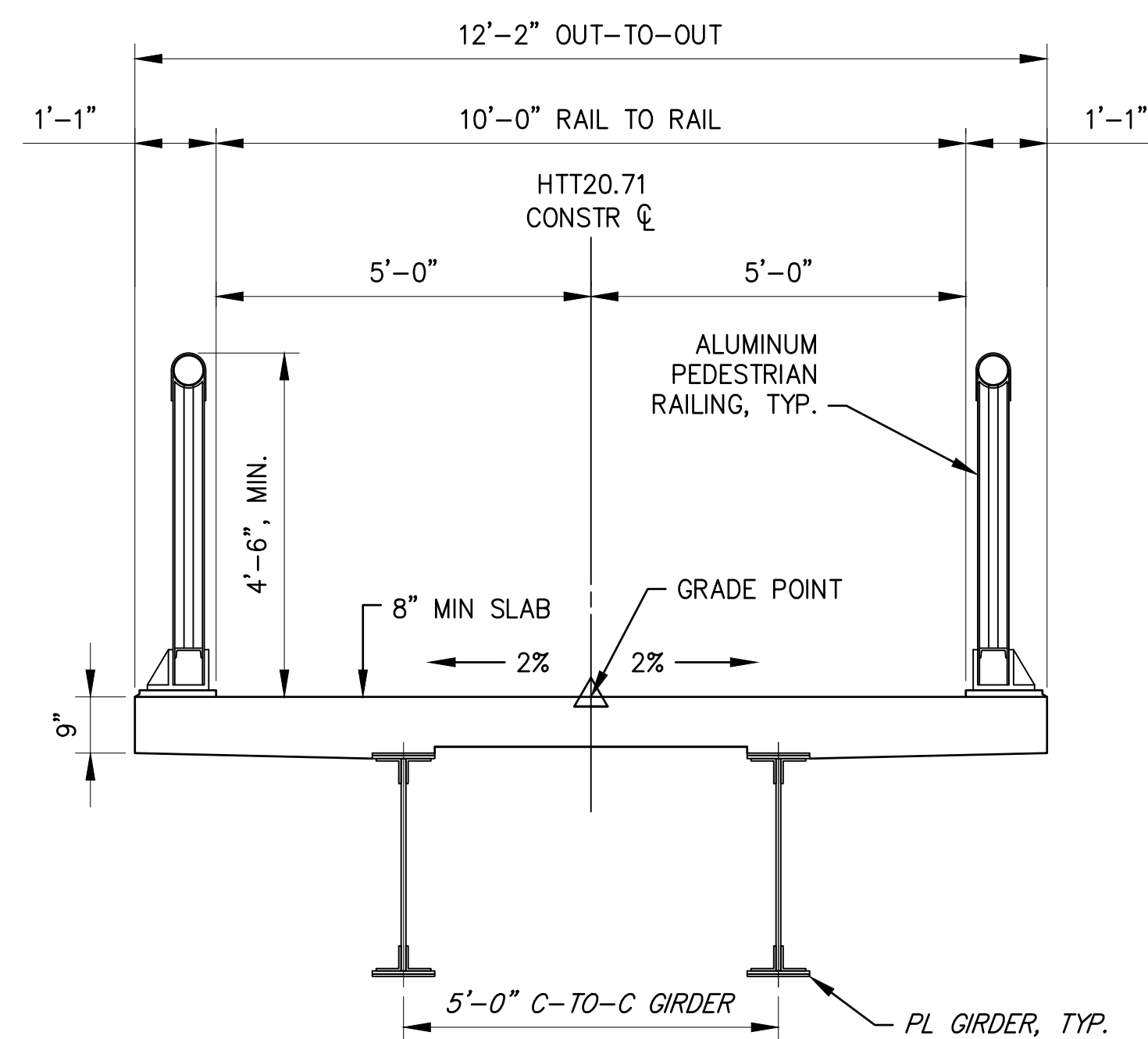


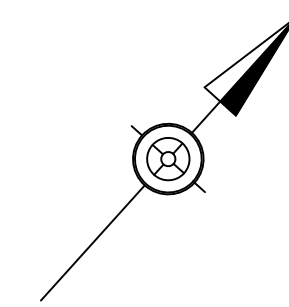
HTT20.71 PLAN

SCALE: 1" = 5'



HTT20.71 CROSS SECTION

SCALE: 6" = 1'



Mark	Description	By	Chk'd.	Recm'd	Date
REVISIONS					

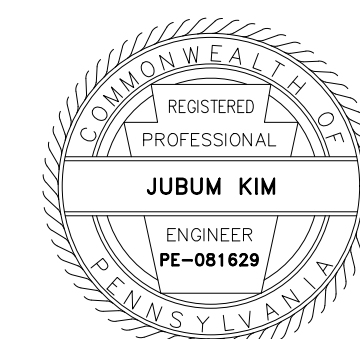
YORK COUNTY RAIL TRAIL AUTHORITY

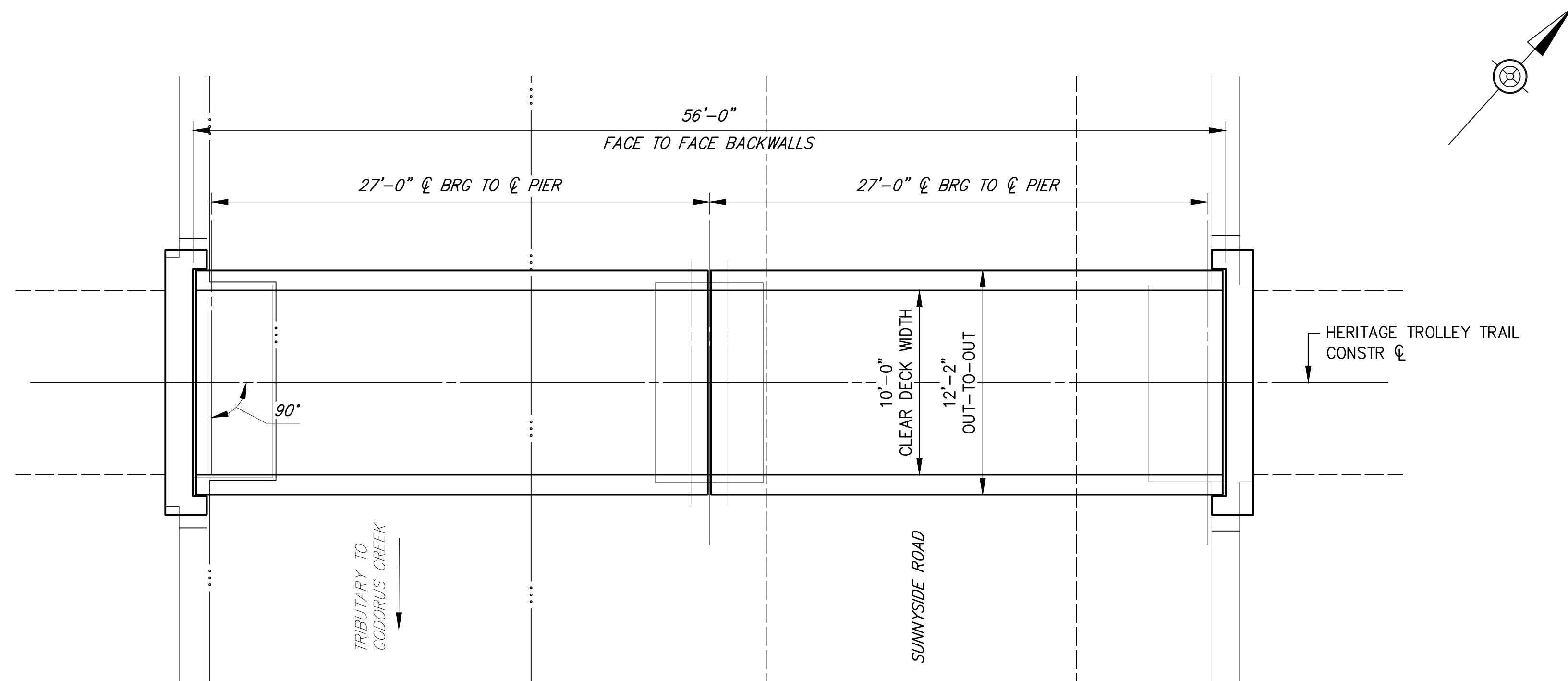
HTT20.71 DECK REPLACEMENT
OVER SUNNYSIDE ROAD &
TRIB TO CODORUS CREEK
2-SP COMP. STEEL PL GIRDER BRIDGE
TYPE, SIZE AND LOCATION

JACKSON TOWNSHIP, YORK COUNTY

SHEET 1 OF 1

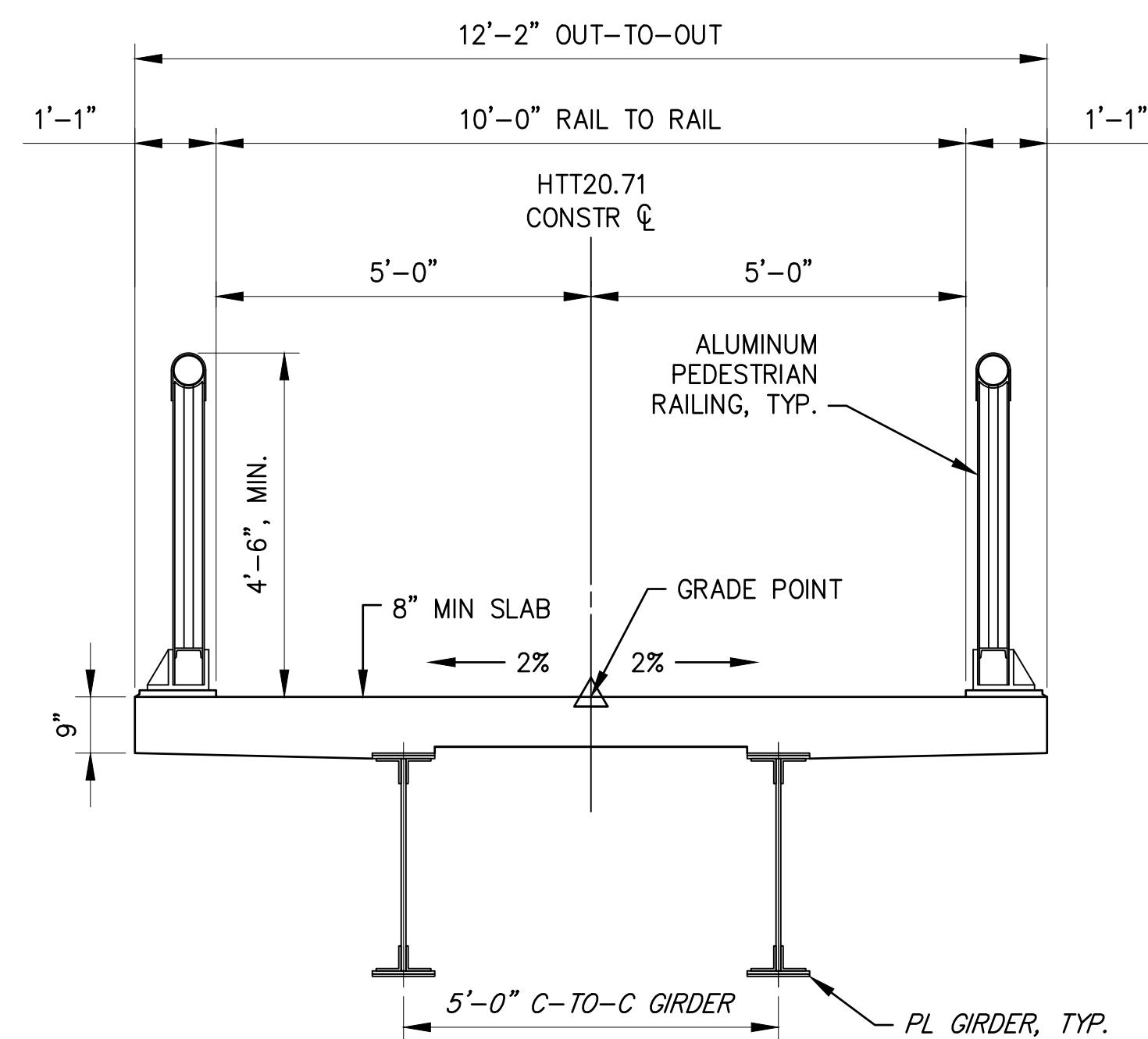
PREPARED BY
C.S. DAVIDSON, INC.





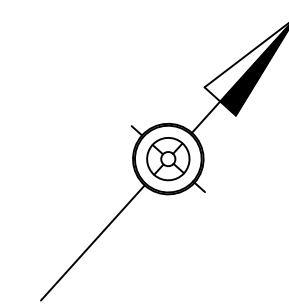
HTT20.71 PLAN

SCALE: 1" = 5'



HTT20.71 CROSS SECTION

SCALE: 6" = 1'



Mark	Description	By	Chk'd.	Recm'd	Date
REVISIONS					

YORK COUNTY RAIL TRAIL AUTHORITY

HTT20.71 DECK REPLACEMENT
 OVER SUNNYSIDE ROAD &
 TRIB TO CODORUS CREEK
 2-SP COMP. STEEL PL GIRDER BRIDGE
 TYPE, SIZE AND LOCATION

JACKSON TOWNSHIP, YORK COUNTY

SHEET 1 OF 1

PREPARED BY
 C.S. DAVIDSON, INC.

