

**BEFORE  
PENNSYLVANIA PUBLIC UTILITY COMMISSION**

In re: Application of Gigapower LLC for Application Docket No.  
approval of the alteration of the crossing MP  
0676.940 by the installation of Fiber Optic  
Cable where Main St crosses at grade of the  
tracks of Norfolk Southern Railroad, located  
in Scranton in Lackawanna County.

To Pennsylvania Public Utility Commission:

1. The name and address of applicant are:  
**GIGAPOWER, LLC** (see local mailing address pg. 2)  
**311 S Akard St. – 21<sup>st</sup> Floor**  
**Dallas, TX 75202**
2. The name and address of applicant's attorney are:  
Thomas Grace - CCO and Chief Counsel  
**GIGAPOWER, LLC**  
**311 S Akard St. – 21<sup>st</sup> Floor**  
**Dallas, TX 75202**
3. GIGAPOWER, LLC provides Optical Network Infrastructure for use by Internet Service Providers and other data transmission.
4. Adding an attachment for a communications fiber optic cable NW of the intersection of Main St and 4th St at the joint use pole (41.3546793, -75.7290716) crossing the Norfolk Southern Railroad (41.3545708, -75.7288800) 104' East to the joint use pole (41.3545082, -75.7287692)
5. The following public utilities who may be affected by or concerned with the proposed alteration of the crossing are Pennsylvania Power and Light, Verizon, Xfinity, Frontier, T-Mobile, Astound Broadband, Service Electric Cable TV. The following municipalities who may be affected by or concerned with the proposed alteration of the crossing are the City of Scranton. The following property owners who may be affected by or concerned with the proposed alteration of the crossing are Norfolk Southern Railroad.
6. Estimated cost of construction not to exceed \$10,000 – Gigapower LLC. Is responsible for the installation, maintenance, and inspection of such facilities and will be the responsible for all associated costs related to the installation, maintenance, and inspection of such facilities.

7. The alteration is necessary or proper for the following reasons: To provide the residence of the city of Scranton with access to high quality fiber internet.

Wherefore, applicant prays your Honorable Commission to approve the application:

**Rich Rehak Jr.**  
**Director of Network Operations NEPA**  
GIGAPOWER, LLC  
Po BOX 179  
East Greenville, PA 18041



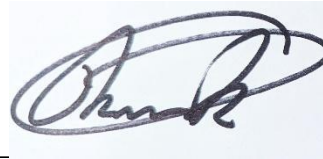
(Signature of Applicant)

**§ 1.36. Verification.**

- (a) Applications, petitions, formal complaints, motions and answers thereto containing an averment of fact not appearing of record in the action or containing a denial of fact shall be personally verified by a party thereto or by an authorized officer of the party if a corporation or association. Verification means a signed written statement of fact supported by oath or affirmation or made subject to the penalties of 18 Pa. C.S. §4904 (relating to unsworn falsification to authorities). If verification is required, notarization is not necessary.
- (b) The Verification form should comply substantially with the following:

**VERIFICATION**

I, Rich Rehak Jr. , hereby state that the facts above set forth are true and correct (or are true and correct to the best of my knowledge, information and belief) and that I expect to be able to prove the same at a hearing held in this matter. I understand that the statements herein are made subject to the penalties of 18 Pa. C.S. § 4904 (relating to unsworn falsification to authorities).

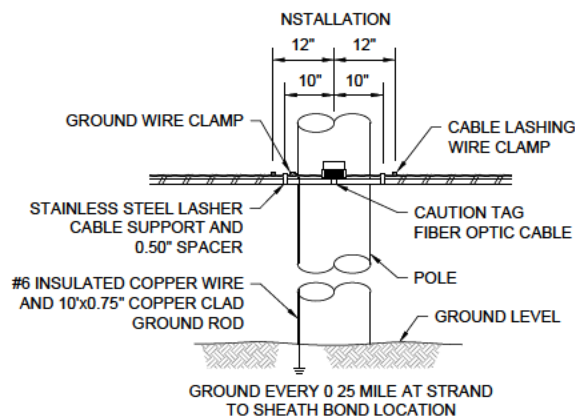


Date: October, 11, 2023

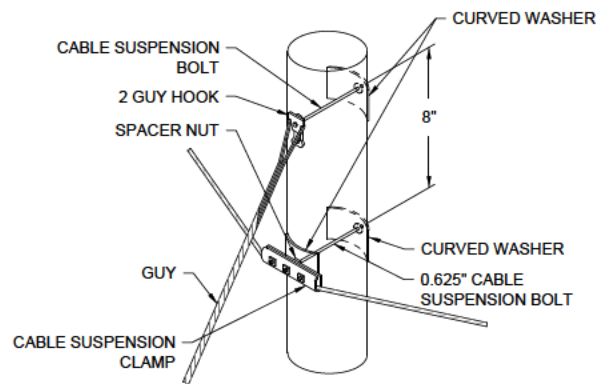
\_\_\_\_\_  
(Signature)



# GENERAL AERIAL CONSTRUCTION DETAILS



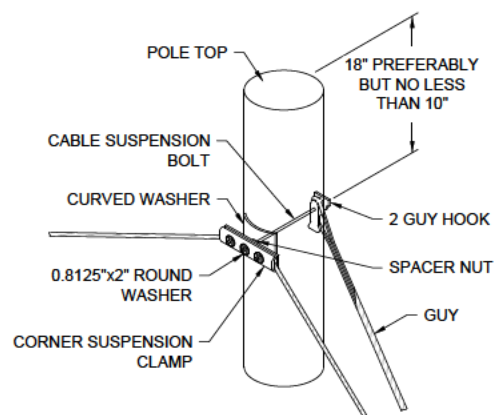
**TYPICAL DETAIL "B"**  
TYPICAL CABLE & HARDWARE



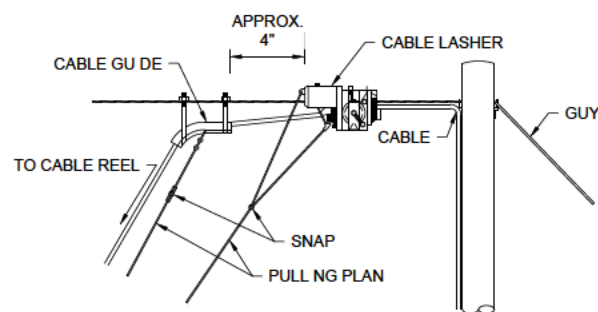
**TYPICAL DETAIL "C"**  
SUSPENSION STRAND - PULL TOWARD POLE - LESS THAN 5 FEET

**AERIAL CONSTRUCTION NOTES**

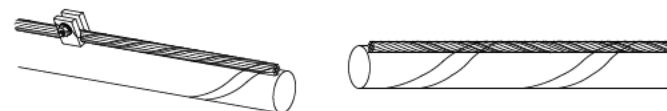
1. STRAND CONSTRUCTION SHALL CONFORM TO MATERIAL CONTAINED IN THE NATIONAL ELECTRIC SAFETY CODE (NEC), INCLUDING SECTION 25, ALONG WITH RELEVANT NEC, OSHA, AND UTILITY RULES AND STANDARDS. ALL DESIGN SHALL INSURE THE APPROPRIATE STORM-LOAD DISTRICTS ARE USED AS DEFINED BY THE NEC.
2. STRAND SHALL BE A MINIMUM OF 6.6M EHS (CLASS A GALVANIZED) OR STRONGER AS REQUIRED BY THE NEC OR CONTROLLING STANDARDS.
3. STRAND SHALL BE SAGGED AND TENSIONED IN ACCORDANCE WITH APPROPRIATE CODE, UTILITY AGREEMENTS, AND STANDARD INDUSTRY ACCEPTED PRACTICES. ALL DOWN GUYS SHALL HAVE A MINIMUM OF 8 FT OF YELLOW DOWN GUY MARKER INSTALLED ON THE DOWN GUY STRAND.
4. ALL ANCHORS SHALL BE SCREW TYPE ANCHORS, AND PLACEMENT, SIZE, AND DETAILS OF THE ANCHORS SHALL BE DOCUMENTED ON THE DESIGN DRAWINGS. ANCHOR SPACING MUST BE PER POWER COMPANY STANDARDS.
5. ALL AERIAL HARDWARE SHALL BE GALVANIZED STEEL.
6. GROUNDING OF THE STRAND AND ASSOCIATED CABLE SHALL BE PER POWER COMPANY STANDARDS, AND SHALL CONFORM TO GROUNDING STANDARDS OUTLINED WITHIN THE NEC, NEC, AND RELEVANT UTILITY STANDARDS.
7. ALL STRAND INSTALLATION SHALL BE IN ACCORDANCE WITH THE UTILITY LICENSE GRANTED TO DOBSON FIBER FOR THE PLACEMENT OF STRAND, INCLUDING ATTACHMENT LOCATION, GUYING, AND GROUNDING.



**TYPICAL DETAIL "D"**  
SUSPENSION STRAND - PULL AWAY FROM POLE - 5 FEET OR MORE



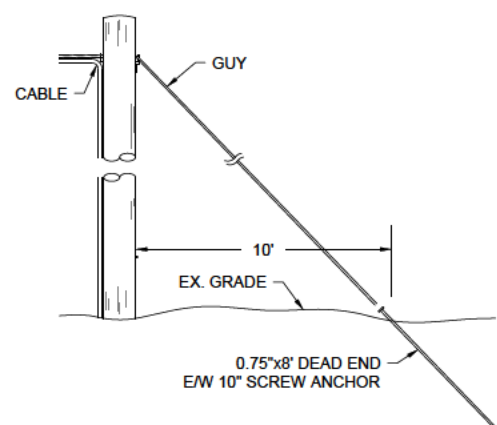
**TYPICAL DETAIL "E"**  
TYPICAL ARRANGEMENT OF CABLE LASHER AND CABLE GUIDE



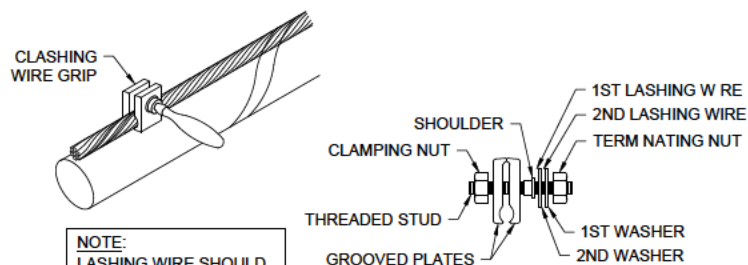
**FORMING WIRE OVER STUD OF CLAMP**  
REMOVE ANY SLACK IN THE LASHING WIRE BY MAINTAINING A PULL ON THE WIRE AND TAPPING THE STRAND SHARPLY. THEN FORM THE WIRE OVER THE STUD AND TIGHTEN THE NUT. CUT THE FREE END OF THE LASHING WIRE OFF 0.75" BEYOND THE END OF THE CLAMP.

**FORMING LASHING WIRE AROUND STRAND**  
FORM THE LASHING WIRE AROUND THE STRAND AND PLACE IT BELOW THE STUD AND BETWEEN THE SECOND WASHER AND STUD SHOULDER.

**TYPICAL DETAIL "F"**  
JOINING 045 LASHING WIRE

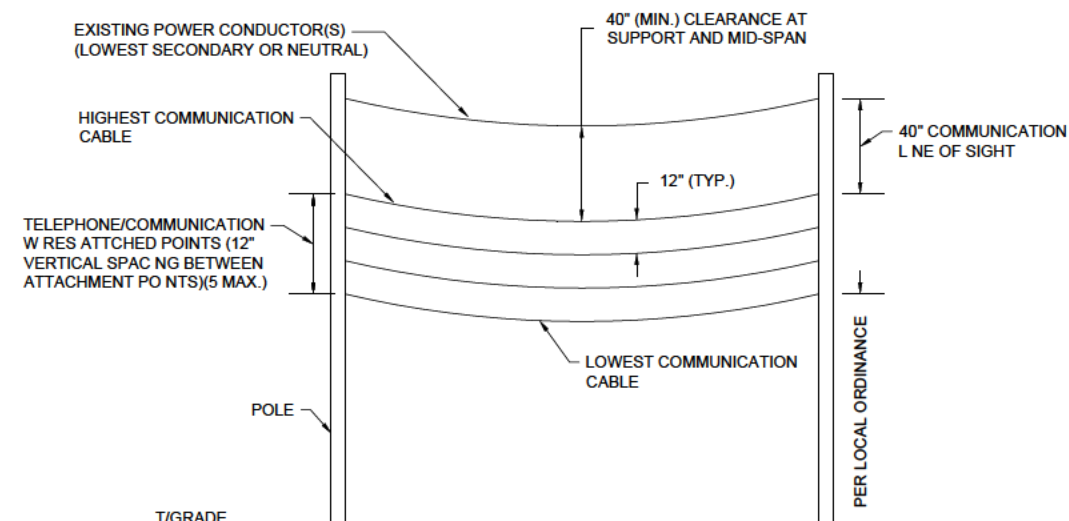


**TYPICAL DETAIL "G"**  
ANCHOR & DOWN GUY



**NOTE:**  
LASHING WIRE SHOULD FOLLOW LAY OF STRAND WIRES UNDER GRIP.

**TYPICAL DETAIL "H"**  
LASHING WIRE GRIP AND CLAMP



**MIN. VERTICAL CLEARANCE OF COMM. CABLES**

LEGEND				LINETYPES				POLE COUNT TOTAL:		UNDERGROUND TOTAL FT:	
JOINT POLE	⊗	STREET LIGHT	⊙	EXIST NG RISER	⊖	—	CURB LINE	N/A	N/A	N/A	N/A
JOINT POLE W / TRANSFORMER	⊗	EXISTING GUY	→	EXIST NG GROUND	⊖	---	UNDERGROUND LEASED	ANCHOR/DOWN GUY TOTAL:	N/A	AERIAL STRAND TOTAL:	N/A
POWER POLE	×	PROPOSED GUY	<	PROPOSED RISER W/ FOOTAGE	⊖	---	NEW UNDERGROUND	BONDS TOTAL CT:	N/A	AERIAL CABLE FT:	N/A
POWER POLE W/TRANSFORMER	⊗	PROP. S DEWALK GUY	∧	SPLICE POINT	⊖	---	PROPOSED AERIAL FIBER				
TELEPHONE POLE	○	OVERHEAD GUY	∖	SLACK LOOP	⊖	---	RIGHT OF WAY				

DRAWING SCALE: N.T.S.

OWNER:  
**GIGAPOWER**

CONTRACTOR:  
**CORNING**

TITLE:  
PROPOSED FIBER OPTIC AERIAL BUILD  
NORFOLK SOUTHERN RAILWAY CROSSING  
2013PA RR CROSSING #2  
SCRANTON, PA

PROJECT NUMBER: 2013PA RR CROSSING #2  
DRAWN BY: CKJ  
DATE DRAWN: 09/25/23

NO.	DATE	DESCRIPTION	BY
09/25/23		PERMIT	CKJ
REVISIONS			

SHEET NUMBER  
**2**  
2 OF 4





## CERTIFICATE OF SERVICE

I hereby certify that I have this day served a true copy of the foregoing document upon the participants, listed below, in accordance with the requirements of § 1.54 (*relating to service by participant*).

Norfolk Southern: Patty Nwaopara  
Patty.Nwaopara@nscorp.com  
1200 Peachtree St NE, Atlanta, GA 30309

PADOT: Jeremiah Gonzalo  
jgonzalo@pa.gov  
55 Keystone Industrial Park, Dunmore, PA 18512

City of Scranton: Don King  
dking@scrantonpa.gov  
340 N Washington St, Scranton, PA 18503

PPL: Rana Souryal  
rsouryal@pplweb.com  
P.O. Box 25239, Lehigh Valley, PA 18002-5239

Verizon Pennsylvania Inc.: Deborah Barum  
poleconduitadmin1@verizon.com, dgcavuto@ctdi.com  
1026 Hay St., Wilkinsburg, PA 15221

North Penn Long Distance Corporation: Empire/North Penn Telephone  
ospeng@etcnpt.com  
34 Main Street, Prattsburgh, NY 14873

Comcast - Duryea: Americomm  
carol@americomm-llc.com, heather@americomm-llc.com  
21 State Ave (Suite 1), Carlisle, PA 17013

ION Holdco LLC: Sheena Wiater  
scharney@firstlight.net, swiater@firstlight.net, smercier@firstlight.net, flf-licensing@firstlight.net,  
rsitler@firstlight.net  
7890 Lehigh Crossing, Victor, NY 14564

Teleport Communications America LLC: MCarlo Verdi III  
cverdi@att.com, jay@trecgroup.com  
900 Old Marple Rd., Springfield, PA 19064

CTSI, LLC: Mary Rodman  
PA.Structure.Access@ftr.com  
100 CTE Drive, Dallas, PA 18612

ZitoMedia / Zito West Holding, LLC: Kelly Ragosta  
kelly.ragosta@zitomedia.com  
PO Box 665 - 102 South Main Street, Coudersport, PA 16915

XO Communications, Inc.: Scott Dreiling  
scott.j.dreiling@xo.com  
1220 Broadcasting Road, Wyomissing, PA 19610

  
\_\_\_\_\_  
(Signature)

Dated this 27th day of October, 2023.