

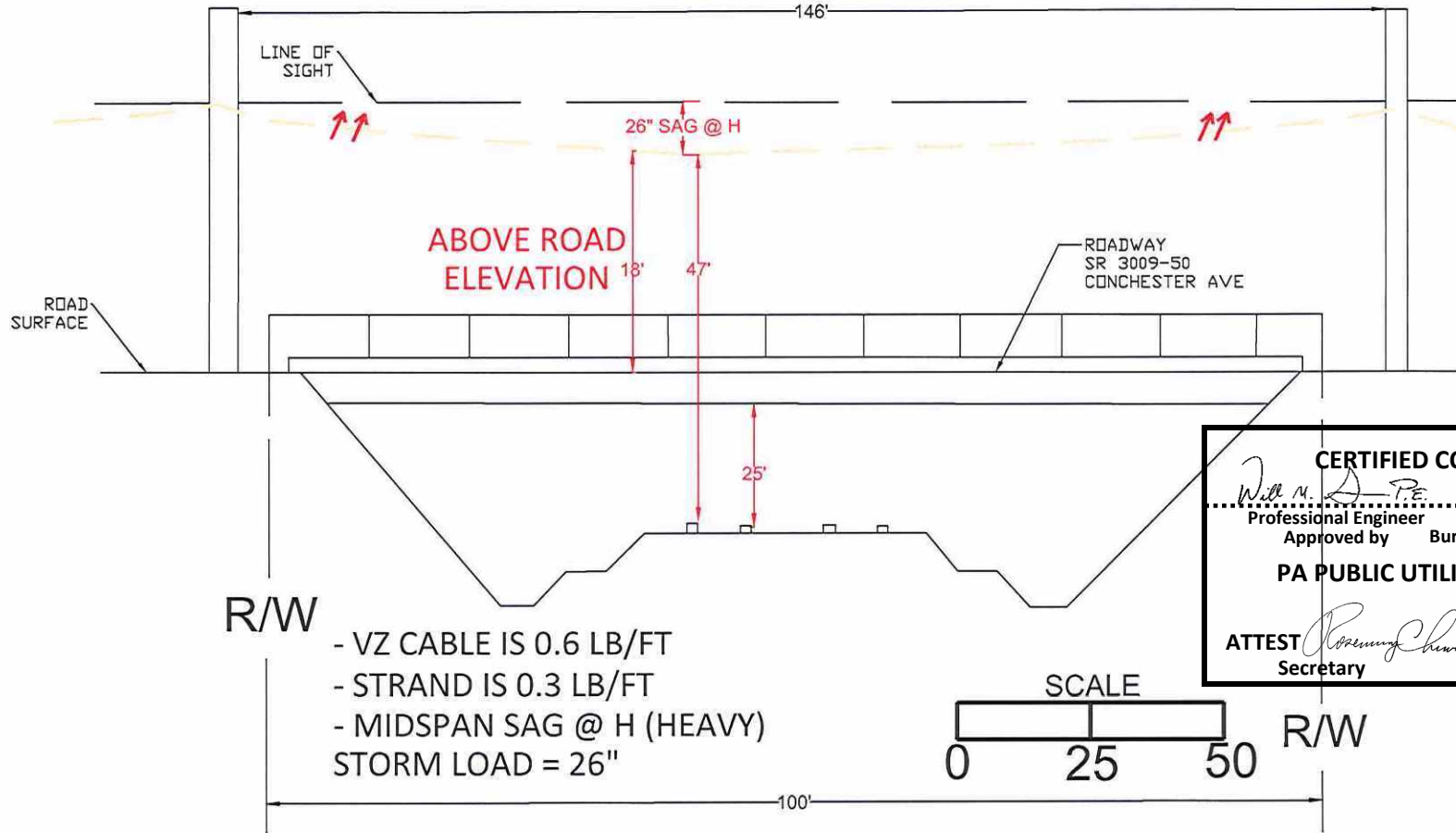
PROPOSED PERPENDICULAR AERIAL CROSSING
CSX @ CHICHESTER AVE

PECO P#131

NEW VERIZON FIBER OPTIC CROSSING

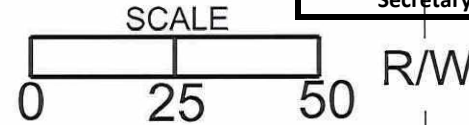


PECO P#132



R/W

- VZ CABLE IS 0.6 LB/FT
- STRAND IS 0.3 LB/FT
- MIDSPAN SAG @ H (HEAVY)
STORM LOAD = 26"



CERTIFIED CORRECT PLANS

Will M. D. P.E.
Professional Engineer

Approved by Bureau of Technical Utility Services
PA PUBLIC UTILITY COMMISSION

11/05/2024
Docket: A-2024-3049200

ATTEST *Rosemary Chivitta*
Secretary

LEGEND: (PROPOSED ———), (EXISTING ———)				STRAND			
YY BOX			CORNING CLEAR TRACK SSB				
COYOTE BOX			COLLECTOR PLATE				
S-ONE BOX			CORE DRILL				
FIBER DISTRIBUTION HUB			ELECTRIC OUTLET				
FIBER DISTRIBUTION TERMINAL			FIBER DROP RISER				
HANDHOLE			ONT				
MANHOLE			PENETRATION POINT				
SLACK STORAGE BOX			POLE				

VERIZON FTTP DETAIL ENGINEERING SURVEY
PROPOSED PERPENDICULAR AERIAL CROSSING
BOOTHWYN, PA 19013

BUILDING CONTACT:
WIRE CENTER: CHES-B

CONSTRUCTION TYPE: RR PERMIT
COUNTY: UPPER CHICHESTER TOWNSHIP

GEO CODE:
MAP: GRID:

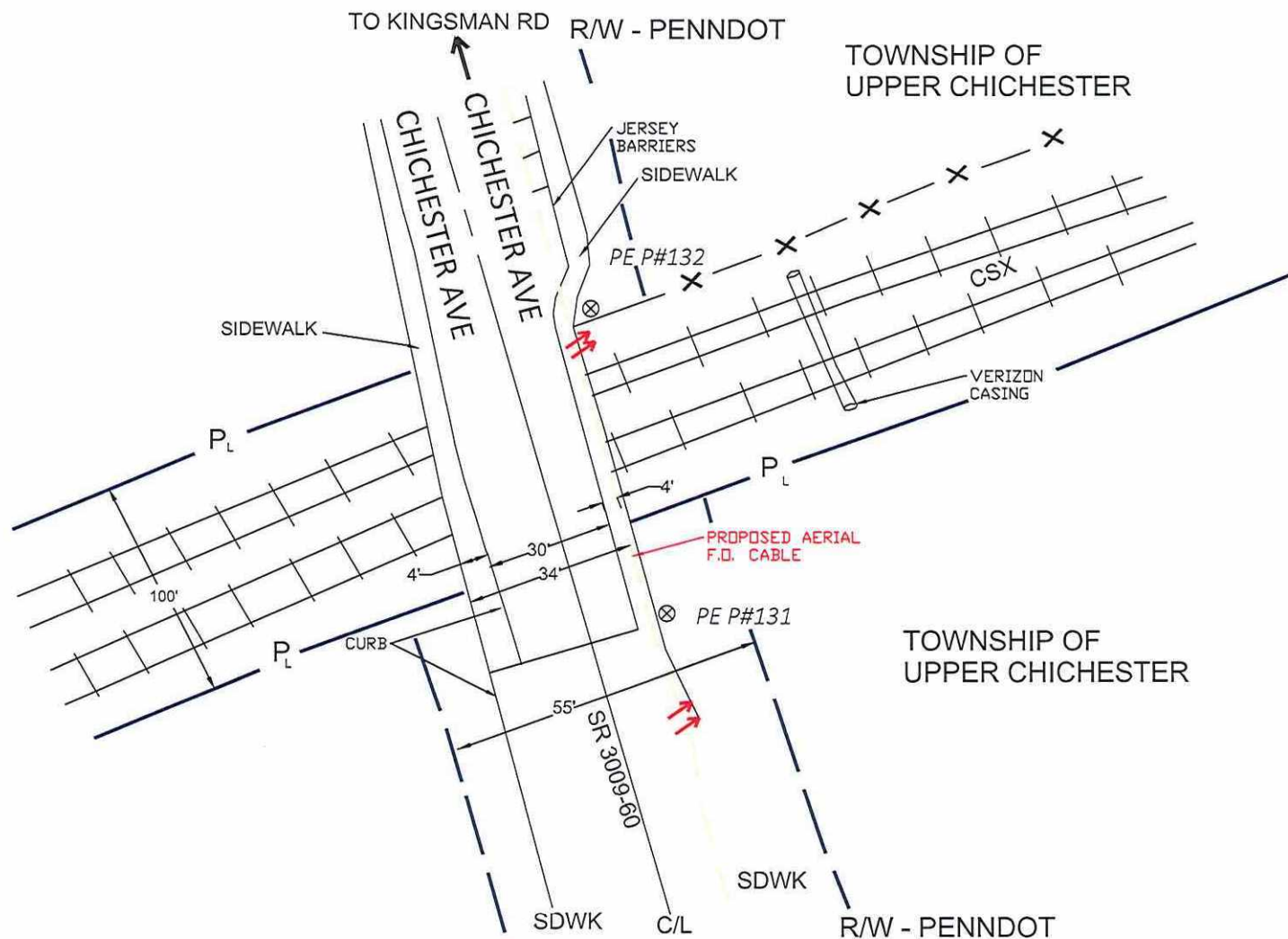
DRAWN & ENGINEERED BY:

PIKE TELECOM

740 Springdale Dr.
Exton, PA 19341
www.piketelecom.org
1-508-337-7600

WORK ORDER #:
1A6PA1P

SHEET: 1 OF 2



LEGEND: (PROPOSED) , (EXISTING)		COLLECTOR PLATE		STRAND	
YYY BOX			CORNING CLEAR TRACK SSB		
COYOTE BOX				CONDUIT	
S-ONE BOX			CORE DRILL		
FIBER DISTRIBUTION HUB			ELECTRIC OUTLET		
FIBER DISTRIBUTION TERMINAL			FIBER DROP RISER		
HANDHOLE			ONT		
MANHOLE			PENETRATION POINT		
SLACK STORAGE BOX			POLE		
				CORNING CLEAR TRACK	

VERIZON FTTP DETAIL ENGINEERING SURVEY
PROPOSED PERPENDICULAR AERIAL CROSSING
BOOTHWYN, PA 19013

BUILDING CONTACT:
 WIRE CENTER: CHES-B

CONSTRUCTION TYPE: RR PERMIT GEO CODE:
 COUNTY: UPPER CHICHESTER TWNSHP MAP: GRID:

DRAWN & ENGINEERED BY:

PIKE TELECOM

740 Springdale Dr.
 Exton, PA 19341
 www.piketelecom.org
 1-508-337-7600

WORK ORDER #:
1A6PA1P

SHEET: 2 OF 2