



**Verizon Pennsylvania LLC  
Right of Way Department**

Kathleen Meeks  
40 S. Mercer St.  
New Castle, PA 16101

Cell: 724-636-9515  
Phone: 724-652-6375  
[Kathleen.Meeks@verizon.com](mailto:Kathleen.Meeks@verizon.com)

January 9, 2025

Ms. Rosemary Chiavetta, Secretary  
PA Public Utility Commission  
P. O. Box 3265  
Harrisburg, PA 17105-3265

**RE:DOT #506532E**

Henderson Township, Huntingdon County

Dear Ms. Chiavetta:

Enclosed is an application to the PUC for Verizon Pennsylvania LLC to place an aerial fiber optic cable and innerduct crossing in the Township of Henderson, County of Huntingdon and must cross the RJ Corman Railroad, in the public right of way of Jacobs Crossing Road, Crossing #506532E.

All parties have been notified.

Sincerely

Kathleen Meeks  
Engineer III-Specialist

**BEFORE  
PENNSYLVANIA PUBLIC UTILITY COMMISSION**

In re: Application of Verizon Pennsylvania LLC for approval to place an aerial fiber optic cable and innerduct located in the Township of Henderson, Huntingdon County. To complete this work, we must cross Norfolk Southern Railroad in the public right of way of Jacobs Crossing Road, Crossing #506532E,

Application  
Docket No.

To Pennsylvania Public Utility Commission:

1. The name and address of applicant are  
Verizon Pennsylvania LLC  
Attn: Kathleen Meeks  
40 S. Mercer St.  
New Castle, PA 16101

- 
2. The name and address of applicant's attorney are

Susan D. Paiva  
Assistant General Counsel  
900 Race Street  
6<sup>th</sup> Floor  
Philadelphia, PA 19107

3. Verizon Pennsylvania LLC requests permission to place an aerial fiber optic cable and innerduct in the Township of Henderson, Huntingdon County. **Projected Start Date for this project is July 3, 2025.**

4. The proposed construction will involve a placement of an aerial fiber optic cable and innerduct attached to existing Verizon poles (Exhibit A)

5. The municipalities and property owners concerned in, or affected by, the crossing alterations are in Exhibit "B".

6. The motoring public and railroad traffic will not be impacted. Verizon Pennsylvania LLC will use normal construction procedures. Normal procedures will be followed including the use of flagmen to maintain normal flow of traffic.

7. The estimated cost of this construction project is \$10,000.00. Completion Date August 3, 2025.

8. The construction is necessary or proper for the following reasons: Subsidized Broadband

Wherefore, applicant prays your Honorable Commission to approve the application:

Kathleen Meeks

**1.36. Verification.**

(a) Applications, petitions, formal complaints, motions and answers thereto containing an averment of fact not appearing of record in the action or containing a denial of fact shall be personally verified by a party thereto or by an authorized officer of the party if a corporation or association. Verification means a signed written statement of fact supported by oath or affirmation or made subject to the penalties of 18 Pa. C.S. §4904 (relating to unsworn falsification to authorities). If verification is required, notarization is not necessary.

(b) The Verification form should comply substantially with the following:

**VERIFICATION**

I, Kathleen Meeks, hereby state that the facts above set forth are true and correct (or are true and correct to the best of my knowledge, information and belief) and that I expect to be able to prove the same at a hearing held in this matter. I understand that the statements herein are made subject to the penalties of 18 Pa. C.S. § 4904 (relating to unsworn falsification to authorities).

Date: 1/9/2025

Kathleen Meeks

(Signature)

**CERTIFICATE OF SERVICE**  
**Exhibit B**

I hereby certify that I have this day served a true copy of the foregoing document upon the participants, listed below, in accordance with the requirements of § 1.54

Daniel D. Leonard, P.E. | Grade Crossing Engineer  
PA Department of Transportation | Bureau of Project Delivery  
Highway Delivery Division | Utilities and Right-of-Way Section  
400 North Street, 7th Floor | Harrisburg, PA 17120  
[danleonard@pa.gov](mailto:danleonard@pa.gov)

Karen Cummings  
Senior Assistant Counsel  
Governors Office of General Counsel  
Department of Transportation  
Office of Chief Counsel/Real Property Division  
P.O. Box 8212, Harrisburg, PA 17105-8212  
[kcummings@pa.gov](mailto:kcummings@pa.gov)


Pennsylvania Department of Transportation District 9  
1620 N. Juniata Street  
Hollidaysburg, PA 16648

Huntingdon County Planning and Development Department  
205 Penn Street  
Huntingdon, PA 16652

Henderson Township Supervisors  
11501 Numers Hollow Road  
Huntingdon, PA 16652

Norfolk Southern  
425 Holiday Drive  
Pittsburgh, PA 15220

Dated this 30th day of January, 9, 2025

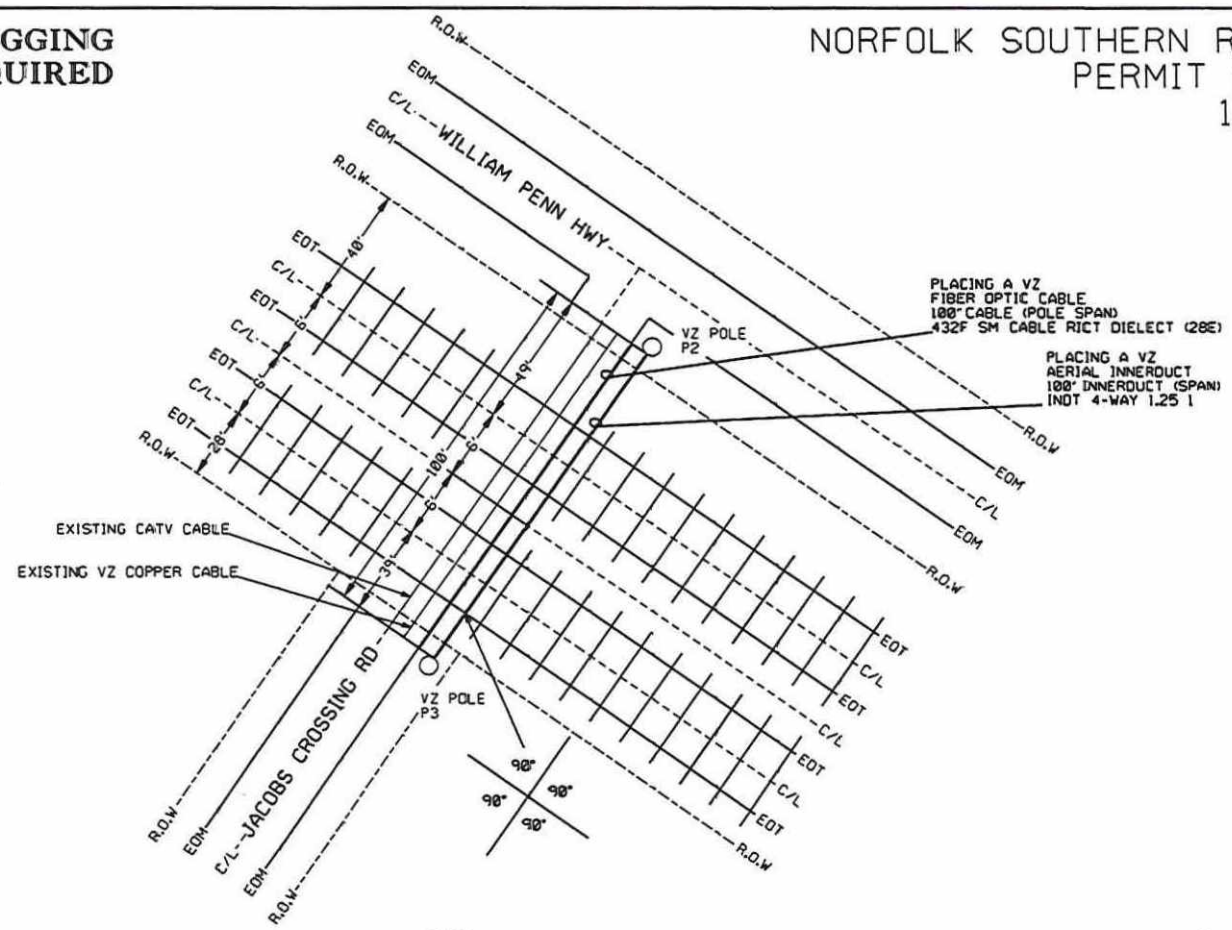
  
\_\_\_\_\_  
(Signature)



METHOD: AERIAL CROSSING  
 MUNICIPALITY: HENDERSON TOWNSHIP  
 COUNTY: HUNTINGDON  
 CROSSING NUMBER: 506532E  
 LAT: 40.4553001  
 LONG: -77.9734969

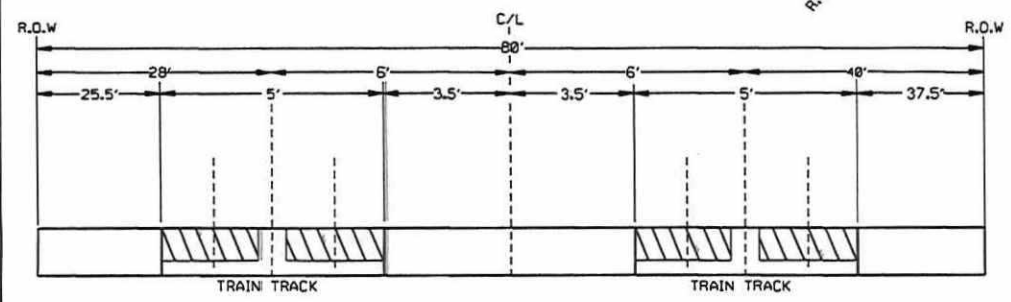
**FLAGGING  
 REQUIRED**

NORFOLK SOUTHERN RAILWAY  
 PERMIT SKETCH  
 1A6HQ9E



PLACING A VZ  
 FIBER OPTIC CABLE  
 100' CABLE (POLE SPAN)  
 432F SM CABLE RICT DIELECT (28E)

PLACING A VZ  
 AERIAL INNERDUCT  
 100' INNERDUCT (SPAN)  
 INDT 4-WAY 1.25 I

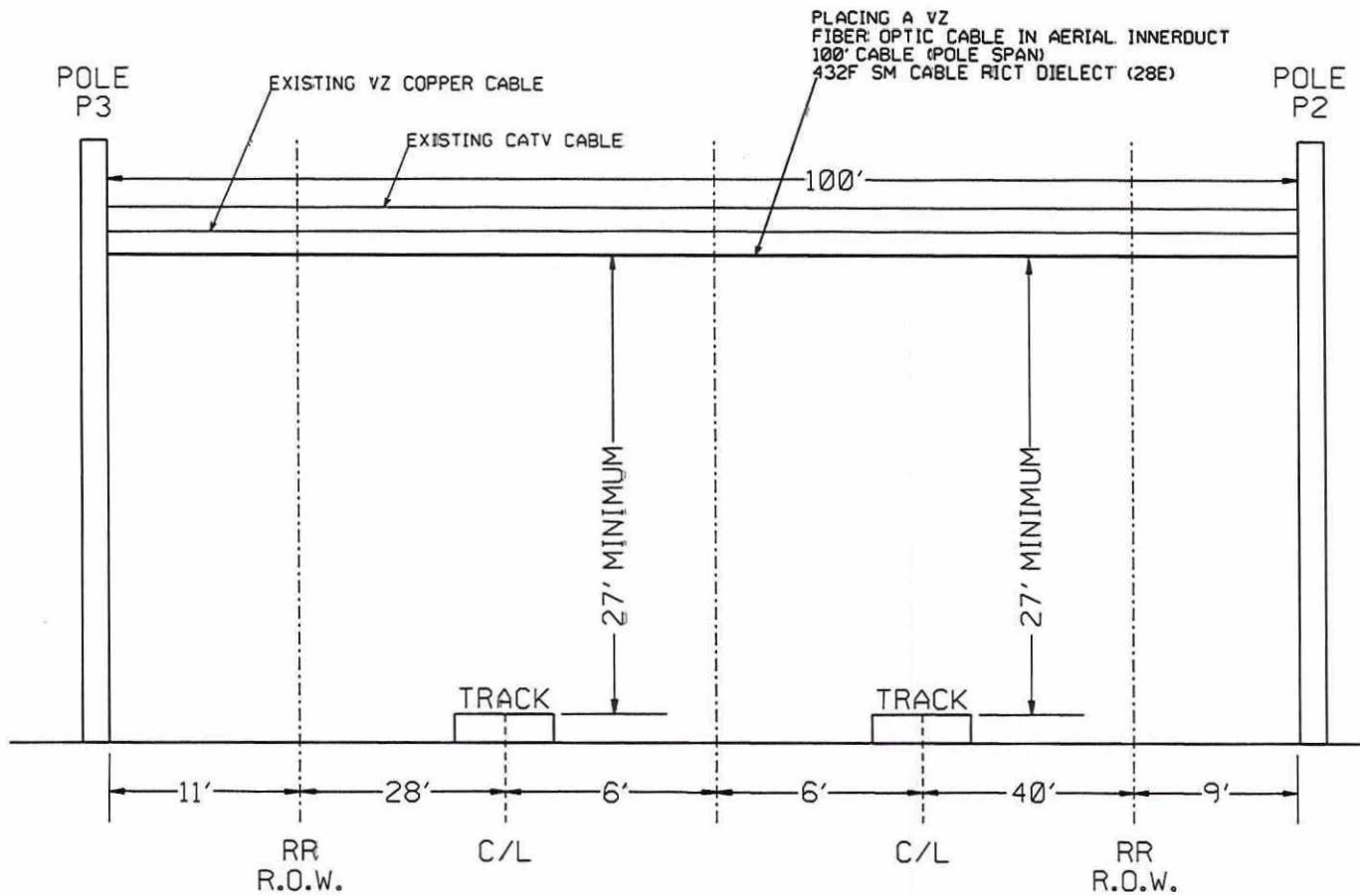


PRINT 1 OF 2  
 NOT TO SCALE





NORFOLK SOUTHERN RAILWAY  
PERMIT SKETCH  
1A6HQ9E



PRINT 2 OF 2  
NOT TO SCALE

