



**Verizon Pennsylvania LLC
Right of Way Department**

Kathleen Meeks
40 S. Mercer St.
New Castle, PA 16101

Cell: 724-636-9515
Phone: 724-652-6375
Kathleen.Meeks@verizon.com

February 15, 2025

Ms. Rosemary Chiavetta, Secretary
PA Public Utility Commission
P. O. Box 3265
Harrisburg, PA 17105-3265

RE:DOT #527113P

Bell Township, Clearfield County

Dear Ms. Chiavetta:

Enclosed is an application to the PUC for Verizon Pennsylvania LLC to place an aerial fiber optic cable crossing in the Township of Bell, County of Clearfield and must cross the RJ Corman Railroad, in the public right of way of Burnside McGee Highway, Crossing 527113P.

All parties have been notified.

Sincerely

Kathleen Meeks

Kathleen Meeks
Engineer III-Specialist

**BEFORE
PENNSYLVANIA PUBLIC UTILITY COMMISSION**

In re: Application of Verizon Pennsylvania LLC for approval to place an aerial fiber optic cable located in the Township of Bell Clearfield County. To complete this work, we must cross RJ Corman Railroad in the public right of way of Burnside McGee Highway, Crossing #527113P

Application
Docket No.

To Pennsylvania Public Utility Commission:

1. The name and address of applicant are
Verizon Pennsylvania LLC
Attn: Kathleen Meeks
40 S. Mercer St.
New Castle, PA 16101

-
2. The name and address of applicant's attorney are

Susan D. Paiva
Assistant General Counsel
900 Race Street
6th Floor
Philadelphia, PA 19107

3. Verizon Pennsylvania LLC requests permission to place an aerial fiber optic cable in the Township of Bell, Clearfield County. **Projected Start Date for this project is August 11 2025.**
4. The proposed construction will involve a placement of an aerial fiber optic cable and innerduct attached to existing Verizon Poles (Exhibit A)
5. The municipalities and property owners concerned in, or affected by, the crossing alterations are in Exhibit "B".
6. The motoring public and railroad traffic will not be impacted. Verizon Pennsylvania LLC will use normal construction procedures. Normal procedures will be followed including the use of flagmen to maintain normal flow of traffic.
7. The estimated cost of this construction project is \$10,000. Completion Date September 11,2025.
8. The construction is necessary or proper for the following reasons: **Subsidized Broadband**

Wherefore, applicant prays your Honorable Commission to approve the application:

Kathleen Meeks

1.36. Verification.

(a) Applications, petitions, formal complaints, motions and answers thereto containing an averment of fact not appearing of record in the action or containing a denial of fact shall be personally verified by a party thereto or by an authorized officer of the party if a corporation or association. Verification means a signed written statement of fact supported by oath or affirmation or made subject to the penalties of 18 Pa. C.S. §4904 (relating to unsworn falsification to authorities). If verification is required, notarization is not necessary.

(b) The Verification form should comply substantially with the following:

VERIFICATION

I, Kathleen Meeks, hereby state that the facts above set forth are true and correct (or are true and correct to the best of my knowledge, information and belief) and that I expect to be able to prove the same at a hearing held in this matter. I understand that the statements herein are made subject to the penalties of 18 Pa. C.S. § 4904 (relating to unsworn falsification to authorities).

Date: 2/15/2025 *Kathleen Meeks*

(Signature)

CERTIFICATE OF SERVICE
Exhibit B

I hereby certify that I have this day served a true copy of the foregoing document upon the participants, listed below, in accordance with the requirements of § 1.54

Daniel D. Leonard, P.E. | Grade Crossing Engineer
PA Department of Transportation | Bureau of Project Delivery
Highway Delivery Division | Utilities and Right-of-Way Section
400 North Street, 7th Floor | Harrisburg, PA 17120
danleonard@pa.gov

Karen Cummings
Senior Assistant Counsel
Governor's Office of General Counsel
Department of Transportation
Office of Chief Counsel/Real Property Division
P.O. Box 8212, Harrisburg, PA 17105-8212
kcummings@pa.gov

Pennsylvania Department of Transportation District 2
70 PennDOT Dr
Clearfield, PA 16830

Clearfield County Office
900 Leonard Street
Clearfield, PA 16830

Bell Township
PO Box 196
Mahaffey, PA 15757-0196

R. J. Corman Railroad Group
PO Box 788
Nicholasville, KY 40340

Dated this 15th day of February, 2025

Kathleen Meeks

(Signature)

METHOD: AERIAL CROSSING
 MUNICIPALITY: BELL TWP
 COUNTY: CLEARFIELD
 CROSSING NUMBER: 527113P
 LAT: 40.879806
 LONG: -78.766642

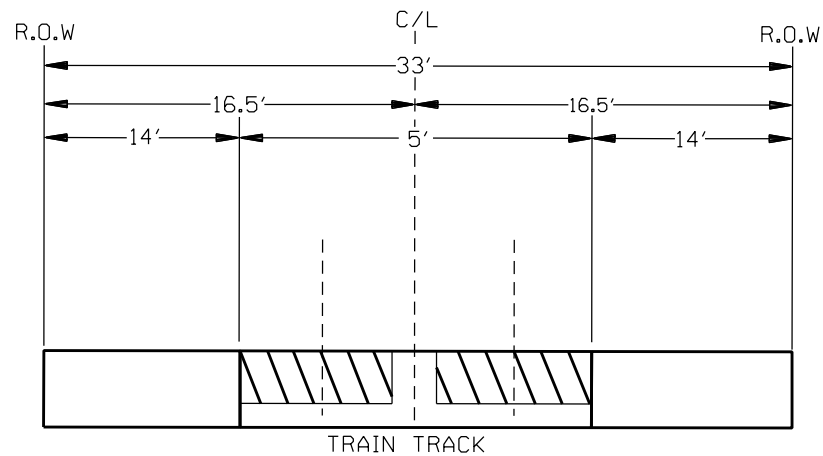
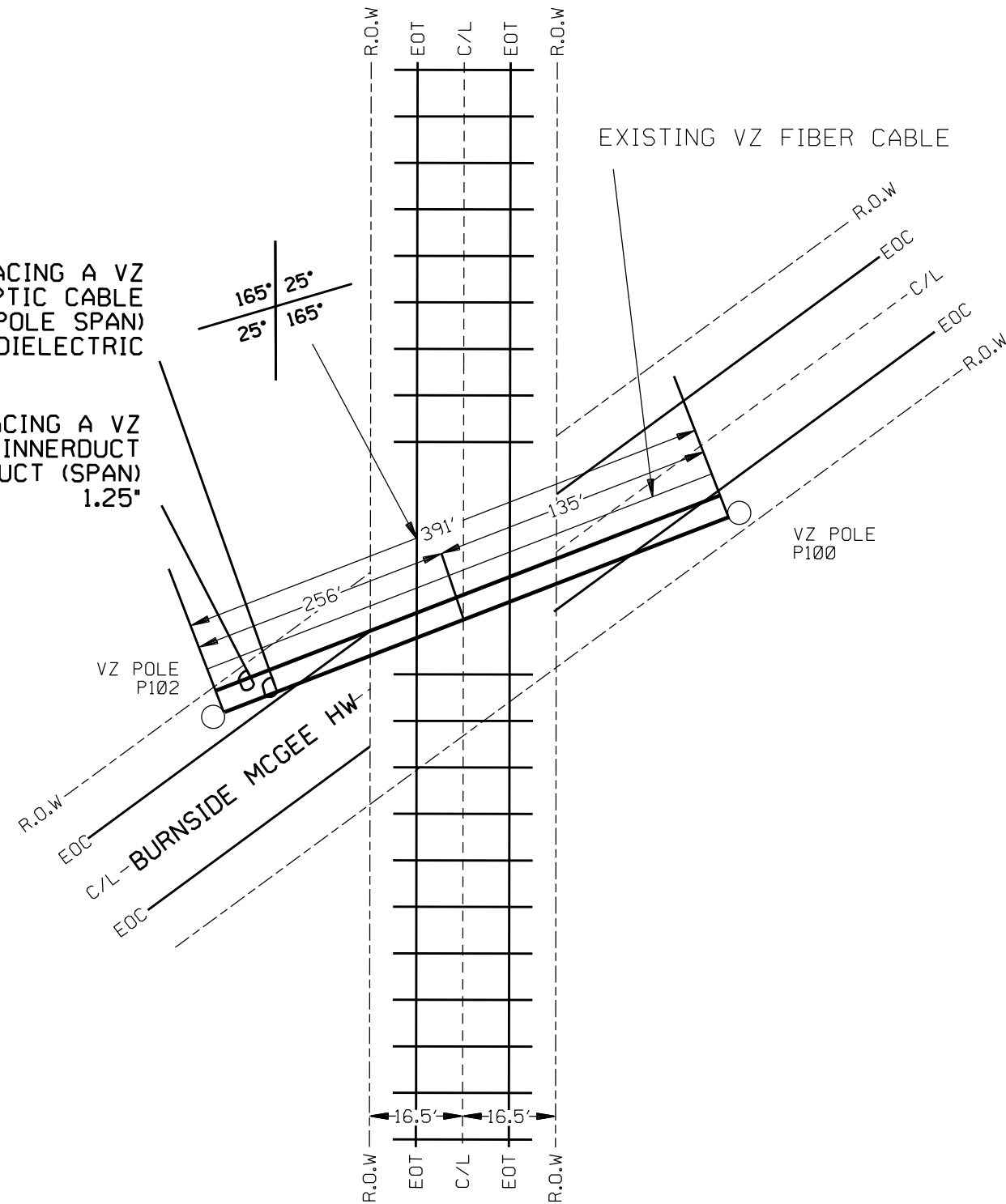
**FLAGGING
 REQUIRED**

R. J. CORMAN RAILROAD
 PERMIT SKETCH
 1A6JL1F



PLACING A VZ
 FIBER OPTIC CABLE
 391' CABLE (POLE SPAN)
 432F DRY RPX DIELECTRIC

PLACING A VZ
 AERIAL INNERDUCT
 391' INNERDUCT (SPAN)
 1.25"



PRINT 1 OF 2
 NOT TO SCALE

R. J. CORMAN RAILROAD
PERMIT SKETCH
1A6JL1F

