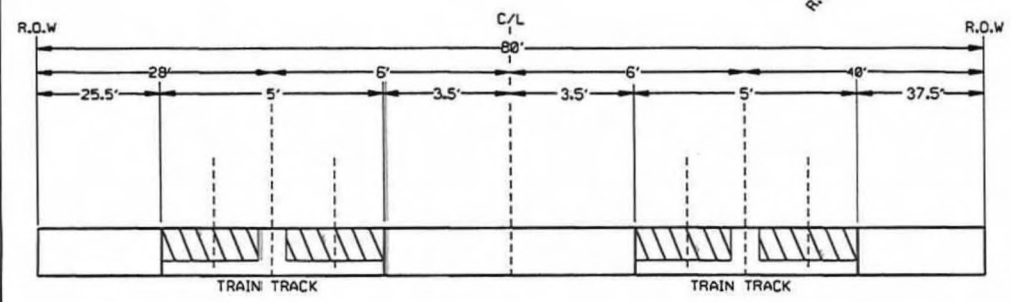
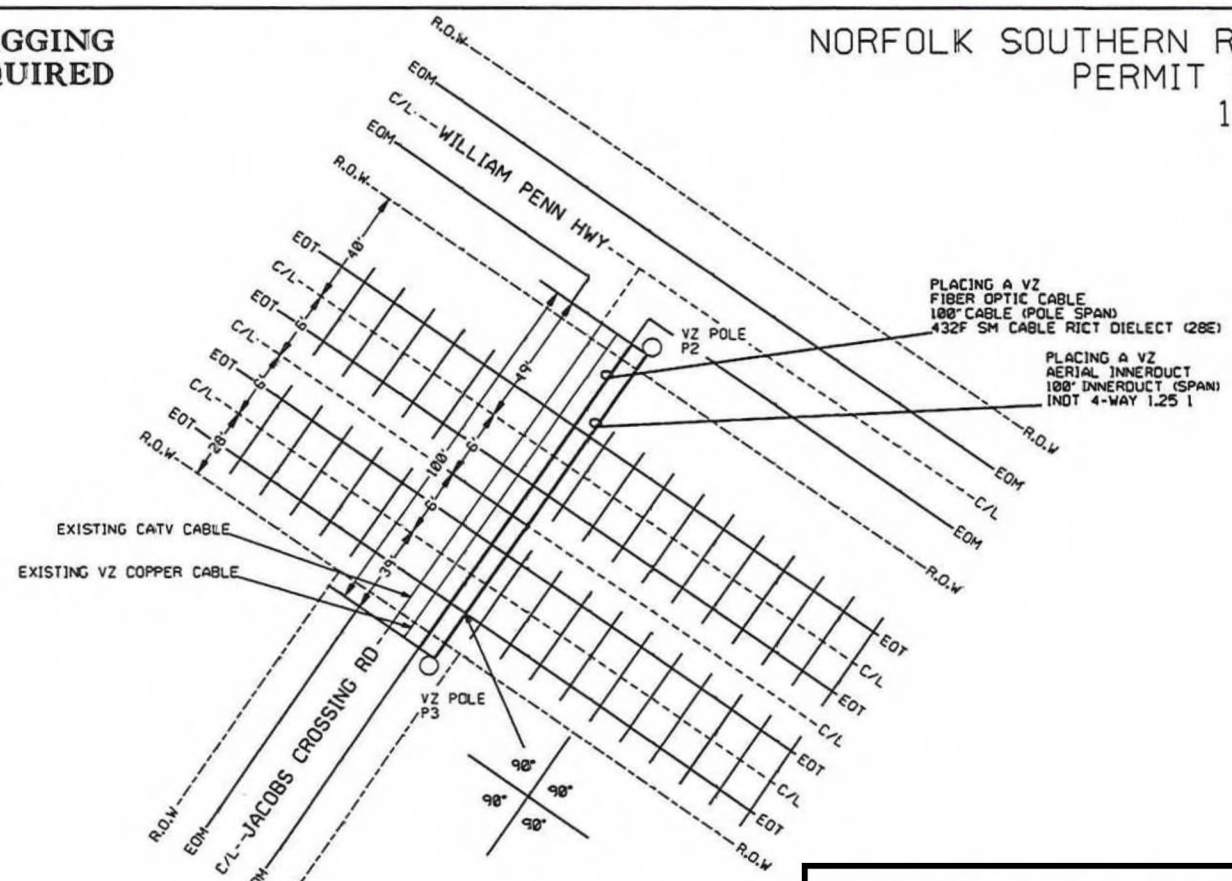




METHOD: AERIAL CROSSING
 MUNICIPALITY: HENDERSON TOWNSHIP
 COUNTY: HUNTINGDON
 CROSSING NUMBER: 506532E
 LAT: 40.4553001
 LONG: -77.9734969

**FLAGGING
 REQUIRED**

**NORFOLK SOUTHERN RAILWAY
 PERMIT SKETCH
 1A6HQ9E**



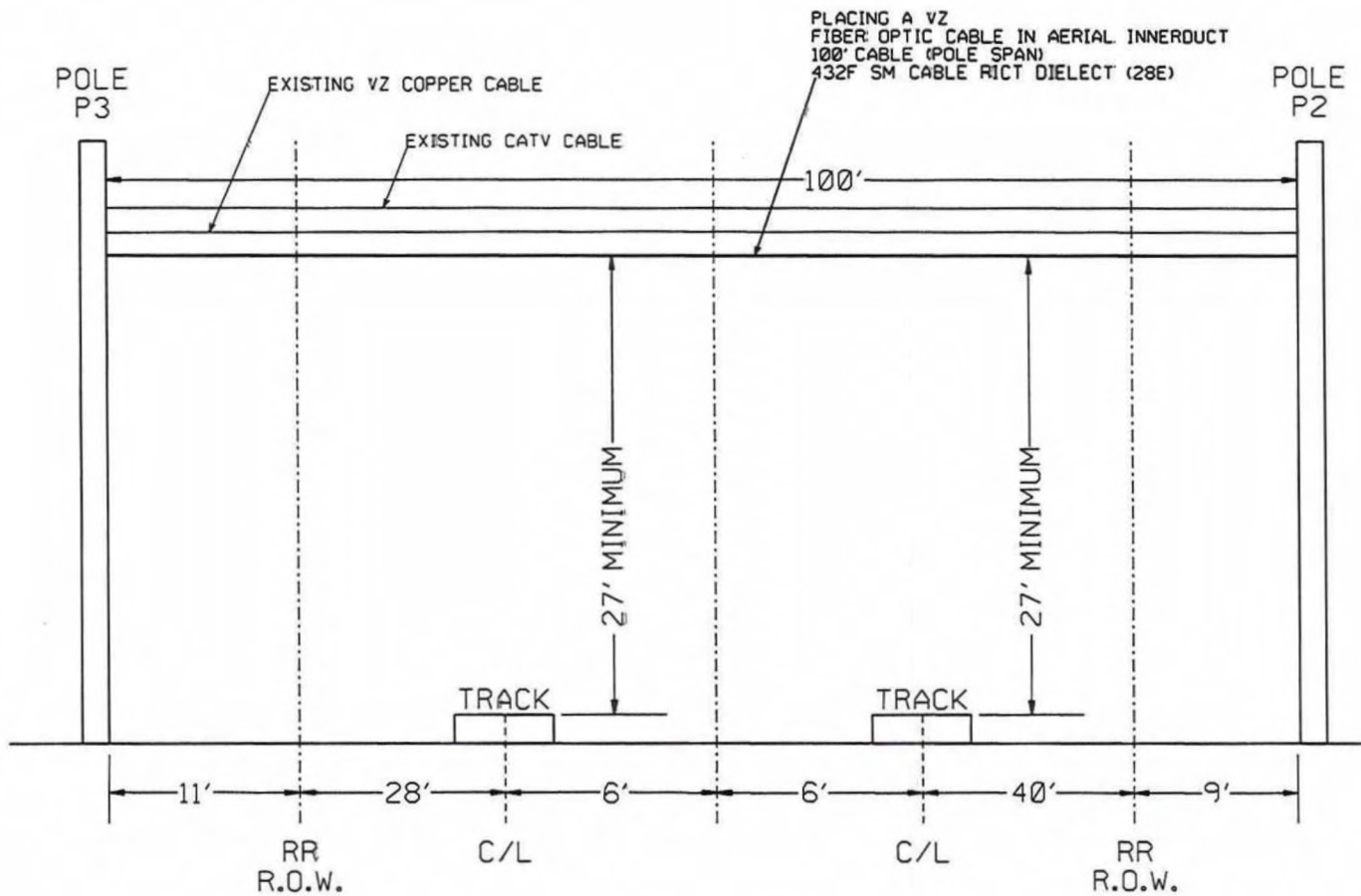
CERTIFIED CORRECT PLANS
Professional Engineer
 Approved by Bureau of Technical Utility Services
PA PUBLIC UTILITY COMMISSION
 ATTEST *Secretary* **02/21/2025**
 Secretary **Docket: A-2025-3052885**

PRINT 1 OF 2
 NOT TO SCALE





NORFOLK SOUTHERN RAILWAY
PERMIT SKETCH
1A6HQ9E



PRINT 2 OF 2
NOT TO SCALE

