

CERTIFIED CORRECT PLANS
Will M. A. P.E.
 Professional Engineer
 Approved by Bureau of Technical Utility Services
PA PUBLIC UTILITY COMMISSION
 ATTEST *Rosemary Chivetta*
 Secretary

- FIELD TO VERIFY ALL MEASUREMENTS
 * - GATE READY

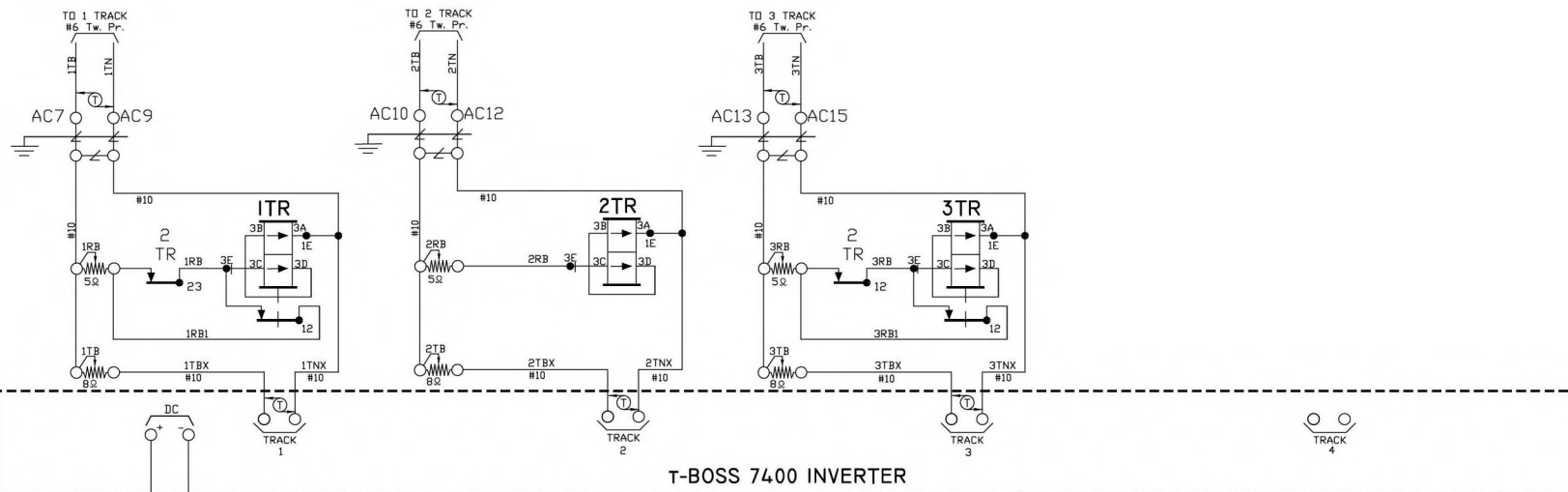
Exhibit "C"
Page 1 of 7

- NOTES:**
1. MATERIAL & INSTALLATION TO BE IN ACCORDANCE WITH MUTCD, STATE AND RAILROAD STANDARDS.
 2. ALL DIMENSIONS ARE APPROXIMATE AND MAY VARY DUE TO ACTUAL FIELD CONDITIONS.
 3. ALL FLASHING LIGHT SIGNALS TO BE LIGHT EMITTING DIODE (LED)
 4. (T) DENOTES TWIST PAIR.
 5. ISLAND CIRCUIT MUST BE A MINIMUM OF 120' IN LENGTH

CABLE RUN TABULATION

HOUSE TO SIGNAL #1 (GATE READY)	- 7/C #6 UG CABLE
	- 7/C #14 UG CABLE
HOUSE TO SIGNAL #2 (GATE READY)	- 7/C #6 UG CABLE
	- 7/C #14 UG CABLE
HOUSE TO AC SERVICE	- 3/C #6 UG CABLE
HOUSE TO 1TN & 1TB	- 2/C #6 TW, PAIR UG CABLE
HOUSE TO 2TN & 2TB	- 2/C #6 TW, PAIR UG CABLE
HOUSE TO 3TN & 3TB	- 2/C #6 TW, PAIR UG CABLE

DIAMONDBACK SIGNAL (410) 795-9601 5965 EXCHANGE DRIVE SUITE "D" SYKESVILLE, MD 21784	AS WIRED XX/XX/XXXX AS INSTALLED XX/XX/XXXX		
	EAST PENN RAILROAD RAILROAD CROSSING WARNING DEVICES		
	SCALE: NONE DATE: 08/07/24	APPROVED BY: REVISIONS:	DRAWN BY: NST REVISED:
	LAKE ROAD WEST DOT # 534 646S MP. 38.94 AVONDALE, CHESTER COUNTY, PA		DRAWING NUMBER
TRACK & CABLE PLAN			



WARNING
 PLACING SWITCH TO THE
 OUT-OF-SERVICE POSITION
 COMPLETELY DISABLES THIS HIGHWAY
 CROSSING WARNING SYSTEM. PROPER
 AUTHORITIES MUST BE NOTIFIED
 PRIOR TO OUT-OF-SERVICE.

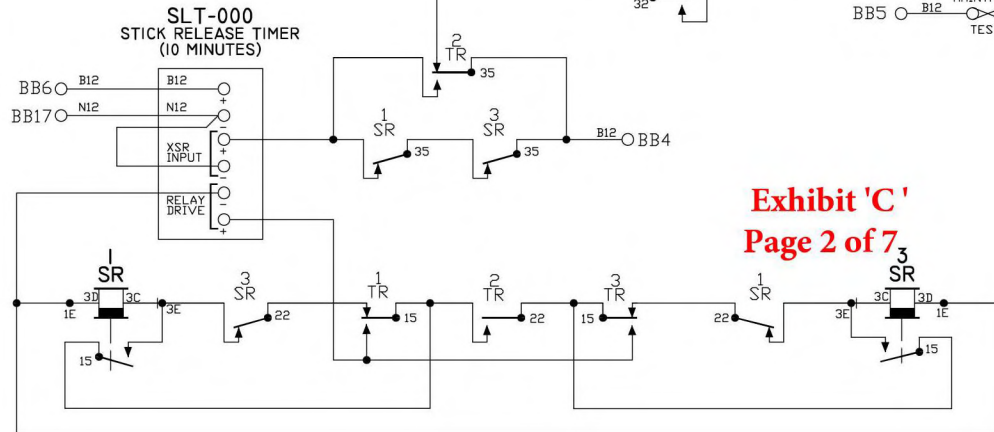
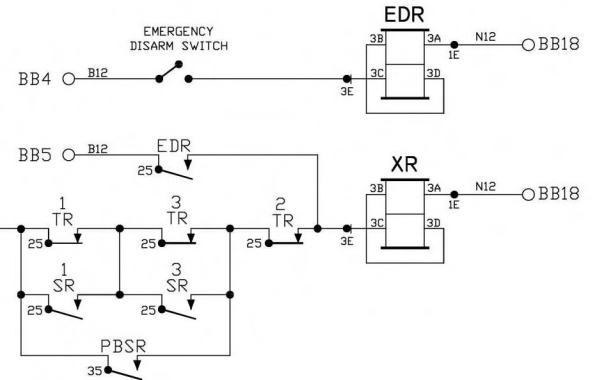
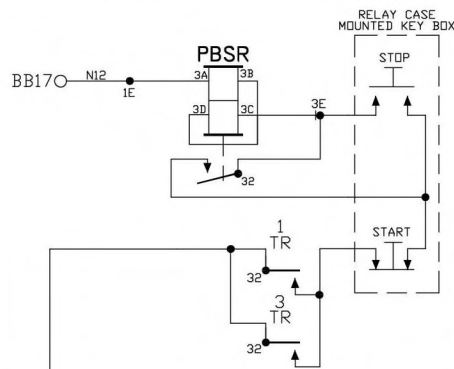


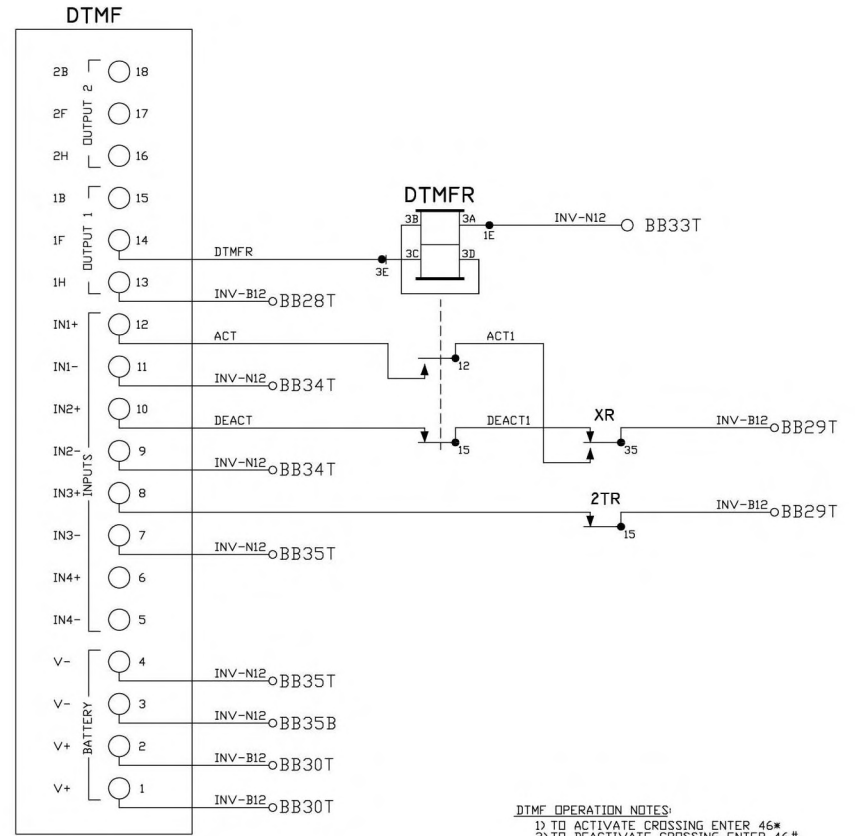
Exhibit 'C'
Page 2 of 7

NOTES:

1. ALL WIRE THIS SHEET IS #14 AWG FLEX UNLESS OTHERWISE NOTED.
2. (TW) DENOTES TWISTED PAIR.

AS WIRED XX/XX/XXXX AS INSTALLED XX/XX/XXXX

DIAMONDBACK SIGNAL		EAST PENN RAILROAD RAILROAD CROSSING WARNING DEVICES	
SCALE: NONE	APPROVED BY:	DRAWN BY: NST	
DATE: 08/07/24		REVISED:	
(410) 795-9601		LAKE ROAD WEST DOT # 534 646S MP. 38.94	
5965 EXCHANGE DRIVE SUITE "D" SYKESVILLE, MD 21784		AVONDALE, CHESTER COUNTY, PA	
CIRCUIT PLAN "A"			DRAWING NUMBER



DTMF OPERATION NOTES:
 1) TO ACTIVATE CROSSING ENTER 46*
 2) TO DEACTIVATE CROSSING ENTER 46*
 3) 10 MINUTE TIME OUT
 4) INPUT 3 RESETS

CONSTRUCTION NOTE:
 ☆ - FIELD TO PROVIDE DTMF CHANNEL BETWEEN 1 AND 8.

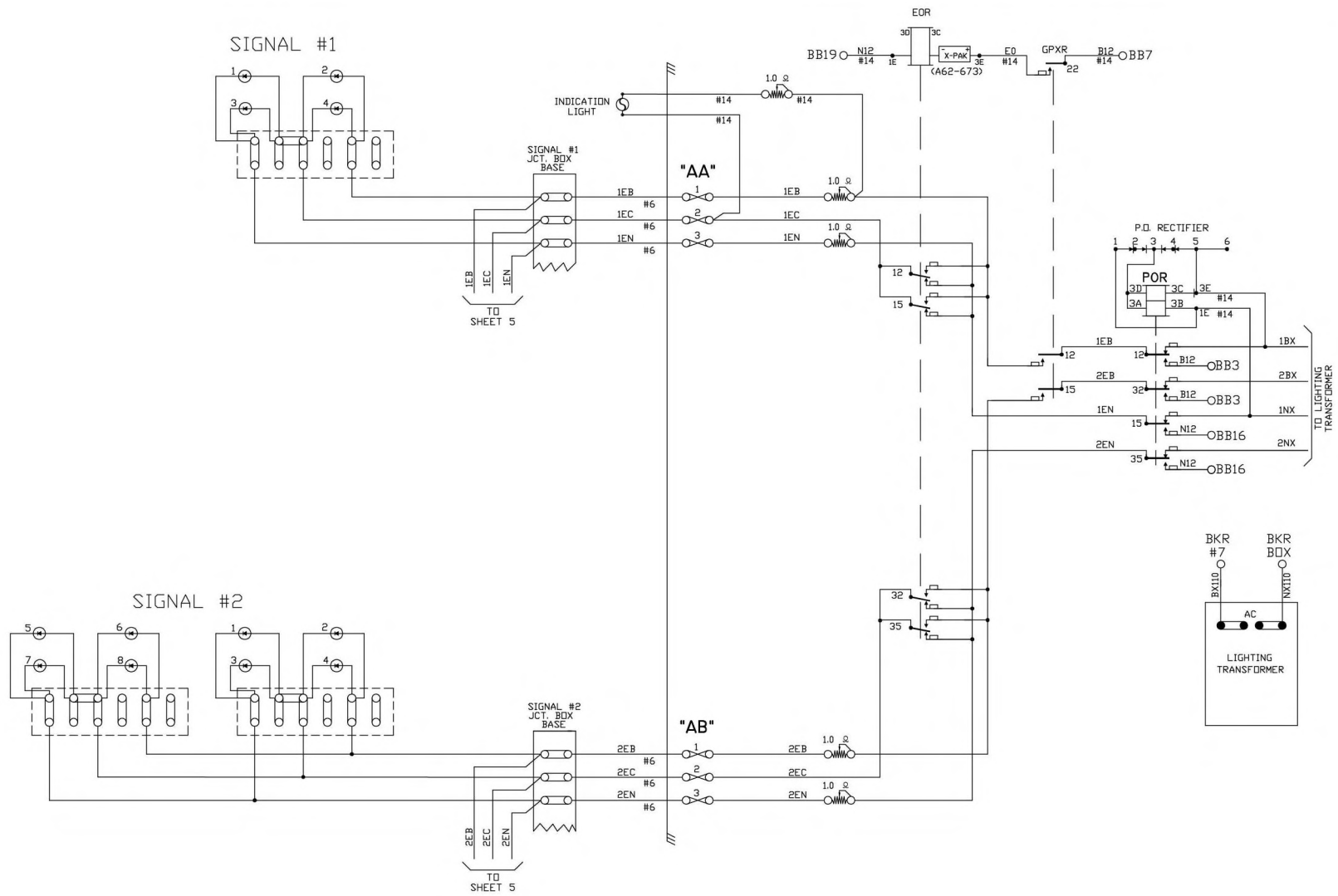
☆ CHANNEL FREQUENCY-160.545

NOTE:
 1. ALL WIRE THIS SHEET IS #14 AWG FLEX UNLESS OTHERWISE NOTED.

Exhibit "C"
Page 3 of 7

SHEET 3 OF 7

DIAMONDBACK SIGNAL (410) 795-9601 5965 EXCHANGE DRIVE SUITE "D" SYKESVILLE, MD 21784	AS WIRED XX/XX/XXXX		AS INSTALLED XX/XX/XXXX	
	EAST PENN RAILROAD RAILROAD CROSSING WARNING DEVICES			
	SCALE: NONE	APPROVED BY:	DRAWN BY: NST	
	DATE: 08/07/24		REVISED:	
LAKE ROAD WEST DOT # 534 646S MP. 38.94 AVONDALE, CHESTER COUNTY, PA				DRAWING NUMBER
CIRCUIT PLAN "B"				



- NOTES:
1. ALL WIRE THIS SHEET IS #10 AWG. FLEX UNLESS OTHERWISE NOTED.
 2. FLASHER RELAY W/X-PAK (A62-673)

Exhibit "C"
Page 4 of 7

SHEET 4 OF 7

DIAMONDBACK SIGNAL

(410) 795-9601
 5965 EXCHANGE DRIVE
 SUITE "D"
 SYKESVILLE, MD
 21784

AS WIRED XX/XX/XXXX AS INSTALLED XX/XX/XXXX

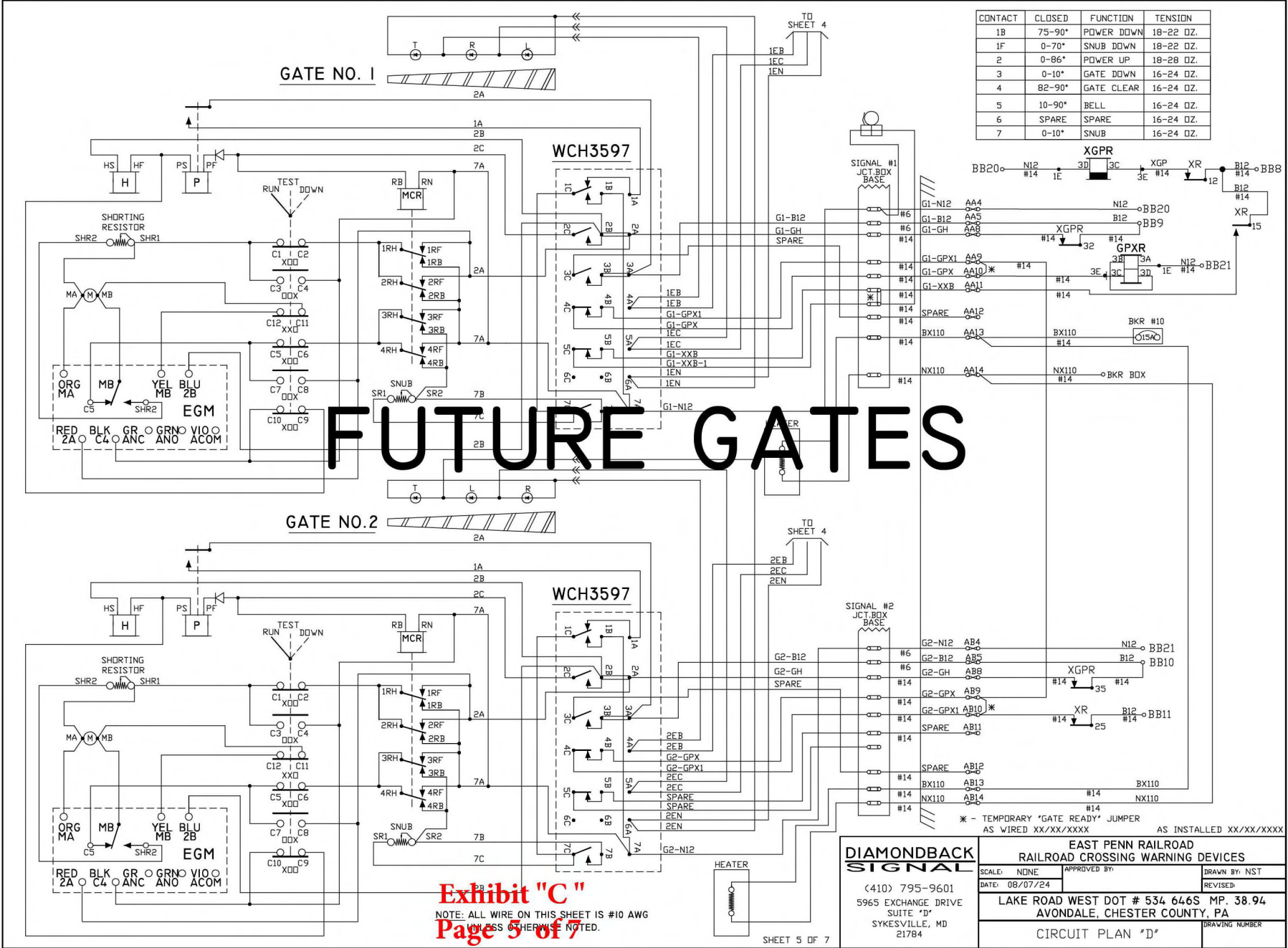
EAST PENN RAILROAD RAILROAD CROSSING WARNING DEVICES			
SCALE: NONE	APPROVED BY:	DRAWN BY: NST	
DATE: 08/07/24		REVISED:	
LAKE ROAD WEST DOT # 534 646S MP. 38.94 AVONDALE, CHESTER COUNTY, PA			
CIRCUIT PLAN "C"			DRAWING NUMBER

GATE NO. 1

GATE NO. 2

CONTACT	CLOSED	FUNCTION	TENSION
1B	75-90°	POWER DOWN	18-22 OZ.
1F	0-70°	SNUB DOWN	18-22 OZ.
2	0-86°	POWER UP	18-28 OZ.
4	82-90°	GATE CLEAR	16-24 OZ.
5	10-90°	BELL	16-24 OZ.
6	SPARE	SPARE	16-24 OZ.
7	0-10°	SNUB	16-24 OZ.

FUTURE GATES

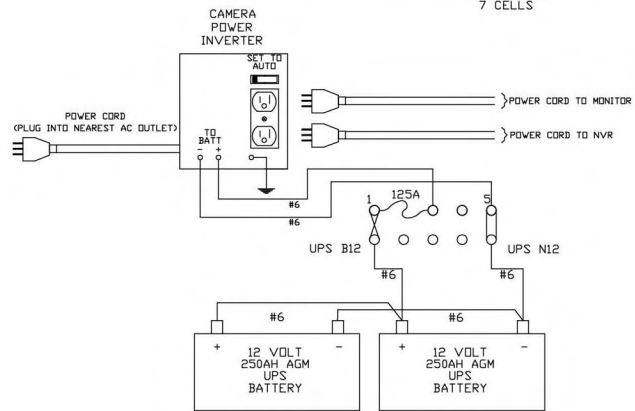
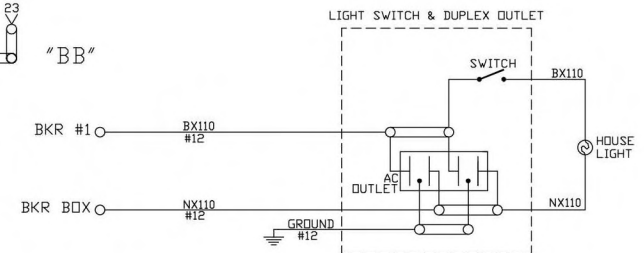
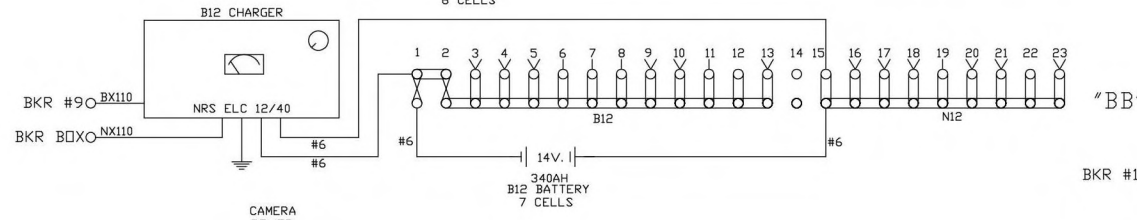
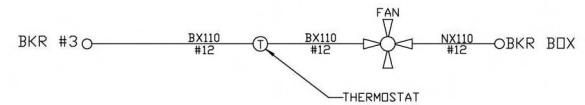
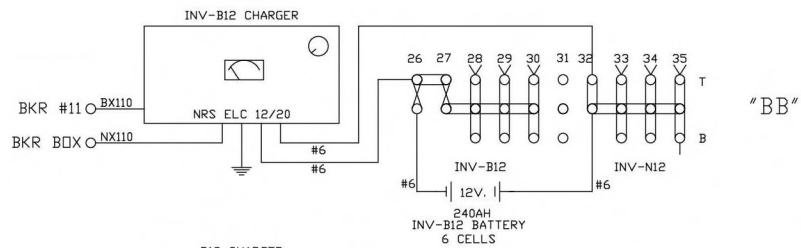


* - TEMPORARY "GATE READY" JUMPER AS WIRED XX/XX/XXXX AS INSTALLED XX/XX/XXXX

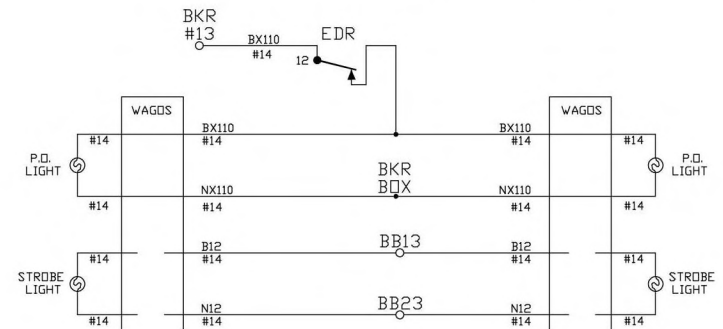
Exhibit "C"
 NOTE: ALL WIRE ON THIS SHEET IS #10 AWG UNLESS OTHERWISE NOTED.
 Page 5 of 7

DIAMONDBACK SIGNAL
 (410) 795-9601
 5965 EXCHANGE DRIVE
 SUITE "D"
 SYKESVILLE, MD
 21784

EAST PENN RAILROAD RAILROAD CROSSING WARNING DEVICES			
SCALE: NONE	APPROVED BY:	DRAWN BY: NST	
DATE: 08/07/24		REVISED:	
LAKE ROAD WEST DOT # 534 646S MP. 38.94 AVONDALE, CHESTER COUNTY, PA			
CIRCUIT PLAN "D"			DRAWING NUMBER



"CB"



NOTE:
ALL WIRE THIS SHEET IS #10 AWG FLEX
UNLESS OTHERWISE NOTED.

AS WIRED XX/XX/XXXX AS INSTALLED XX/XX/XXXX

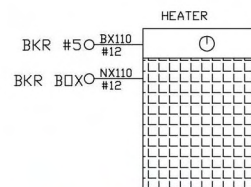
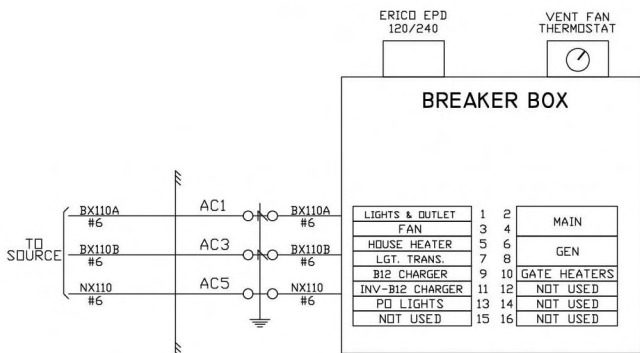


Exhibit "C"
Page 6 of 7

SHEET 6 OF 7

DIAMONDBACK SIGNAL

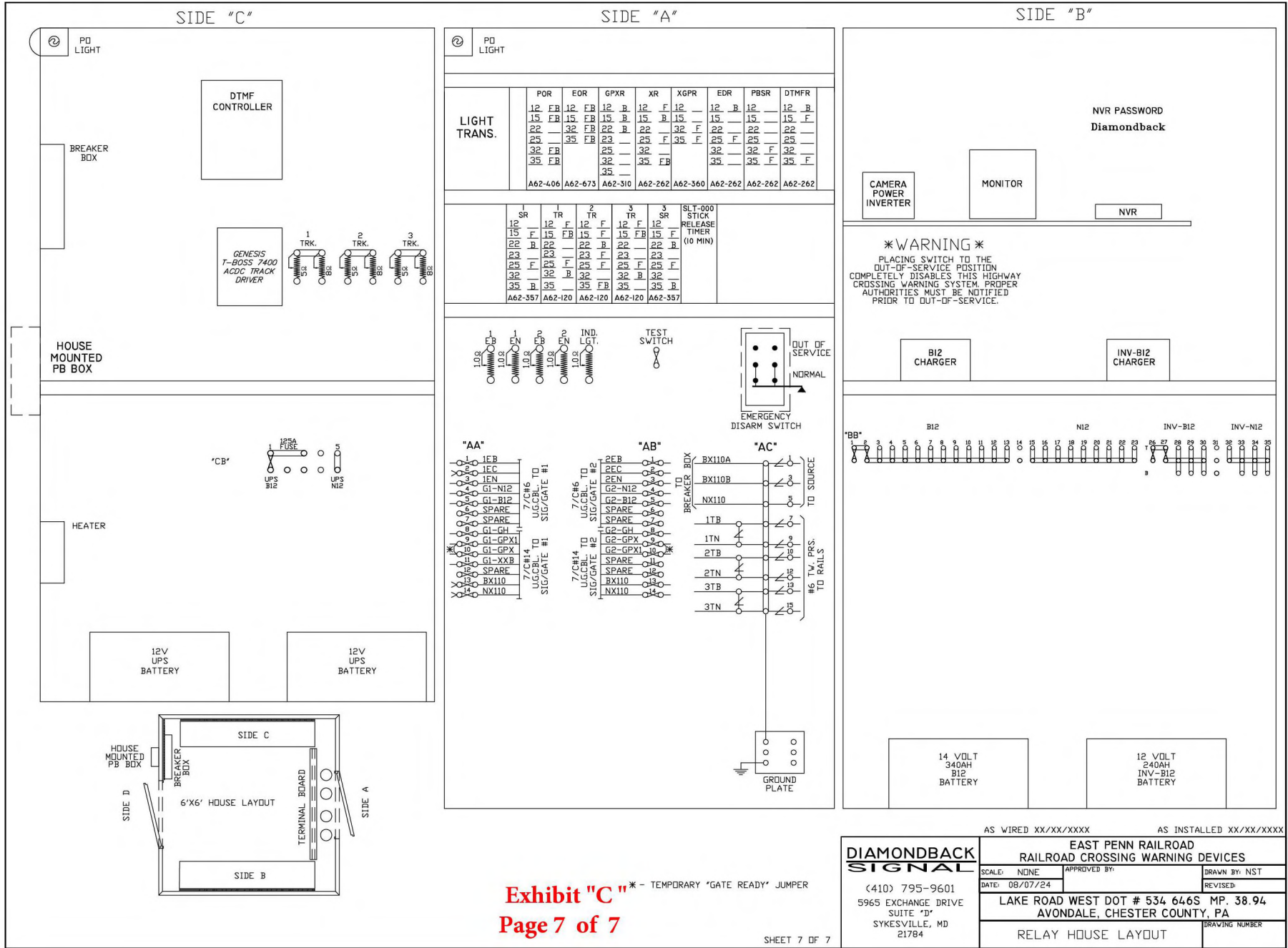
(410) 795-9601
5965 EXCHANGE DRIVE
SUITE "D"
SYKESVILLE, MD
21784

**EAST PENN RAILROAD
RAILROAD CROSSING WARNING DEVICES**

SCALE: NONE APPROVED BY: DRAWN BY: NST
DATE: 08/07/24 REVISED:

LAKE ROAD WEST DOT # 534 646S MP. 38.94
AVONDALE, CHESTER COUNTY, PA

CIRCUIT PLAN "E" DRAWING NUMBER



LIGHT TRANS.		POR		EOR		GPXR		XR		XGPR		EDR		PBSR		DTMFR	
12	FB	12	FB	12	B	12	F	12	B	12	B	12	B	12	B	12	B
15	FB	15	FB	15	B	15	B	15	B	15	B	15	B	15	B	15	B
22	—	32	FB	22	B	22	—	32	F	22	—	22	—	22	—	22	—
25	—	35	FB	23	—	25	F	35	F	25	F	25	F	25	F	25	F
32	FB	—	—	25	—	32	—	—	—	32	—	32	F	32	—	32	—
35	FB	—	—	32	—	35	FB	—	—	35	—	35	F	35	F	35	F
				35	—	—	—	—	—	—	—	—	—	—	—	—	—
		A62-406	A62-673	A62-310	A62-262	A62-360	A62-262	A62-262	A62-262	A62-262	A62-262	A62-262	A62-262	A62-262	A62-262	A62-262	A62-262

1 SR		1 TR		2 TR		3 TR		3 SR		SLT-000 STICK RELEASE TIMER (10 MIN)	
12	SR	12	F	12	F	12	F	12	F	12	F
15	SR	15	F	15	F	15	F	15	F	15	F
22	SR	22	F	22	F	22	F	22	F	22	F
23	SR	23	F	23	F	23	F	23	F	23	F
25	SR	25	F	25	F	25	F	25	F	25	F
32	SR	32	F	32	F	32	F	32	F	32	F
35	SR	35	F	35	F	35	F	35	F	35	F
		A62-357	A62-120	A62-120	A62-120	A62-120	A62-120	A62-120	A62-120	A62-120	A62-120

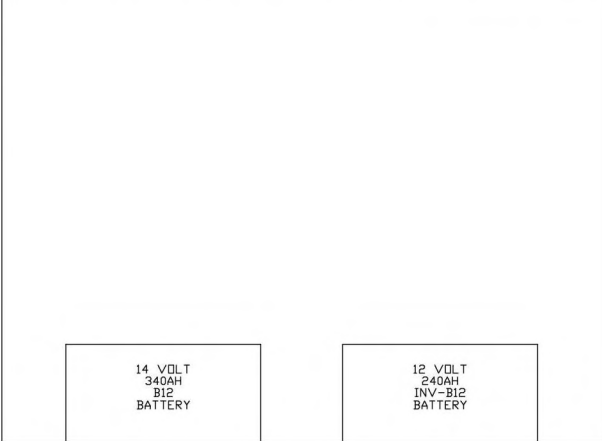
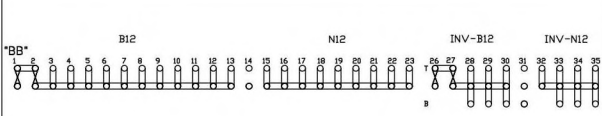
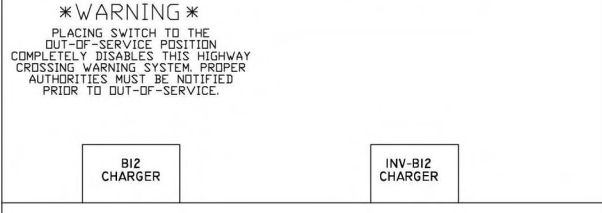
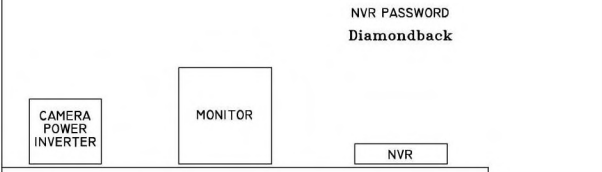
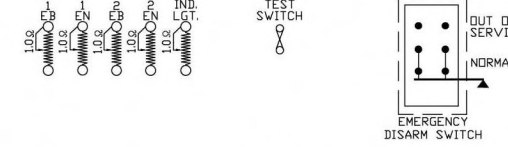


Exhibit "C" * - TEMPORARY "GATE READY" JUMPER
Page 7 of 7

DIAMONDBACK SIGNAL (410) 795-9601 5965 EXCHANGE DRIVE SUITE "D" SYKESVILLE, MD 21784	EAST PENN RAILROAD RAILROAD CROSSING WARNING DEVICES		AS WIRED XX/XX/XXXX	AS INSTALLED XX/XX/XXXX
	SCALE: NONE	APPROVED BY:	DRAWN BY: NST	
	DATE: 08/07/24	LAKE ROAD WEST DOT # 534 646S MP. 38.94 AVONDALE, CHESTER COUNTY, PA		REVISED:
	RELAY HOUSE LAYOUT			DRAWING NUMBER