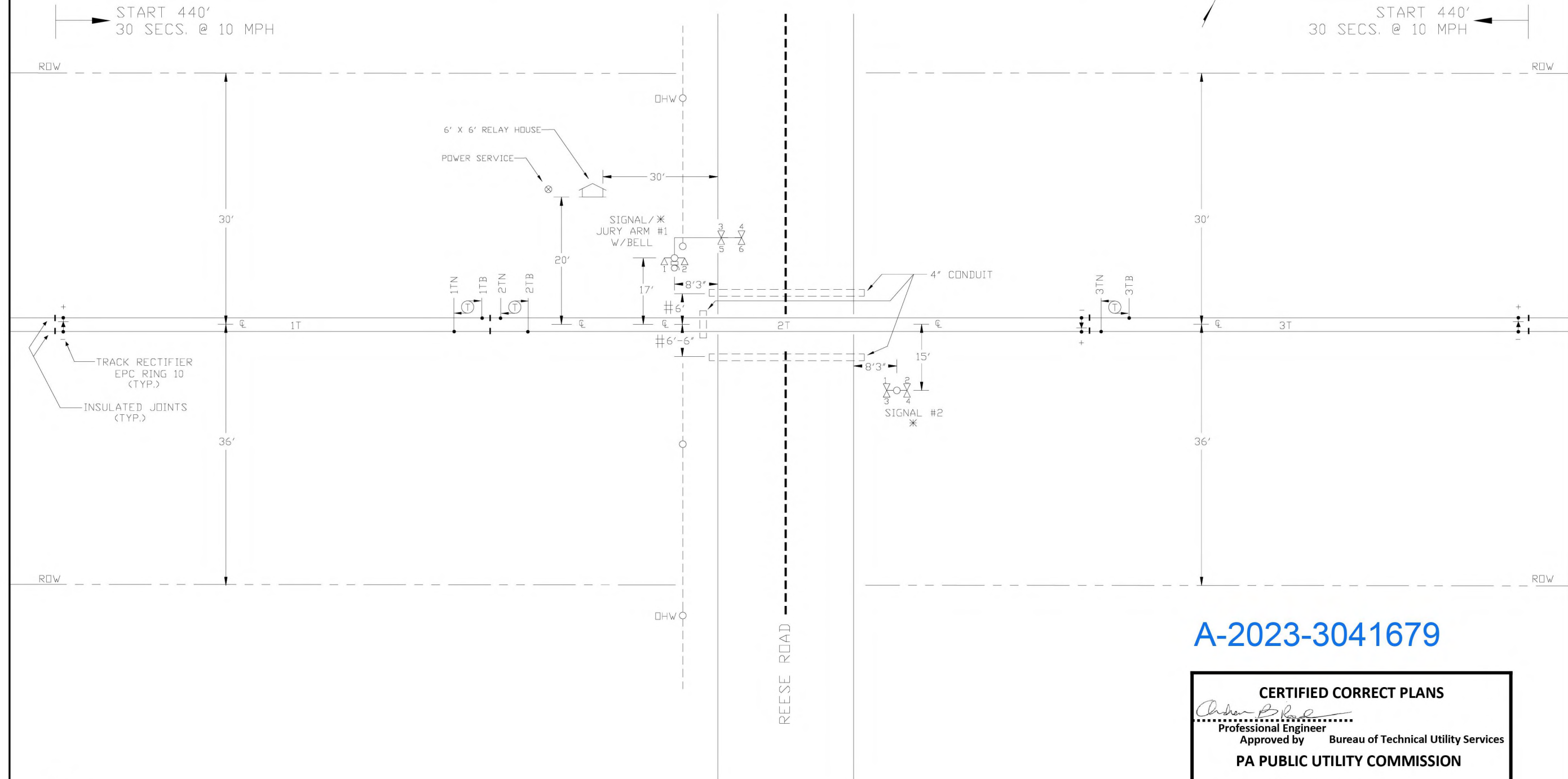


WEST

EAST



A-2023-3041679

CERTIFIED CORRECT PLANS
Arthur Blase
 Professional Engineer
 Approved by Bureau of Technical Utility Services
PA PUBLIC UTILITY COMMISSION
 ATTEST *Matthew L. Hansen*
 Secretary

NOTES:

- MATERIAL & INSTALLATION TO BE IN ACCORDANCE WITH MUTCD, STATE AND RAILROAD STANDARDS.
- ALL DIMENSIONS ARE APPROXIMATE AND MAY VARY DUE TO ACTUAL FIELD CONDITIONS.
- ALL FLASHING LIGHT SIGNALS TO BE LIGHT EMITTING DIODE (LED)
- Ⓣ DENOTES TWIST PAIR.

- FIELD TO VERIFY ALL MEASUREMENTS
 * - GATE READY

CABLE RUN TABULATION

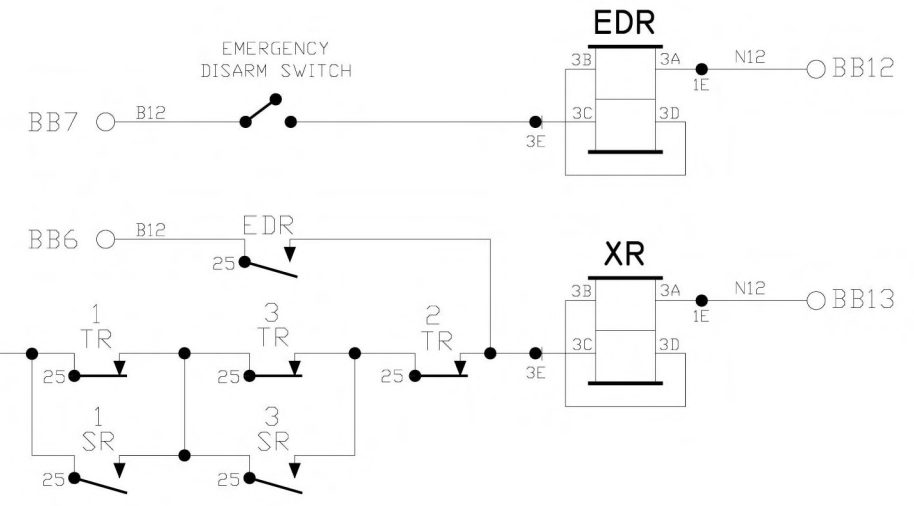
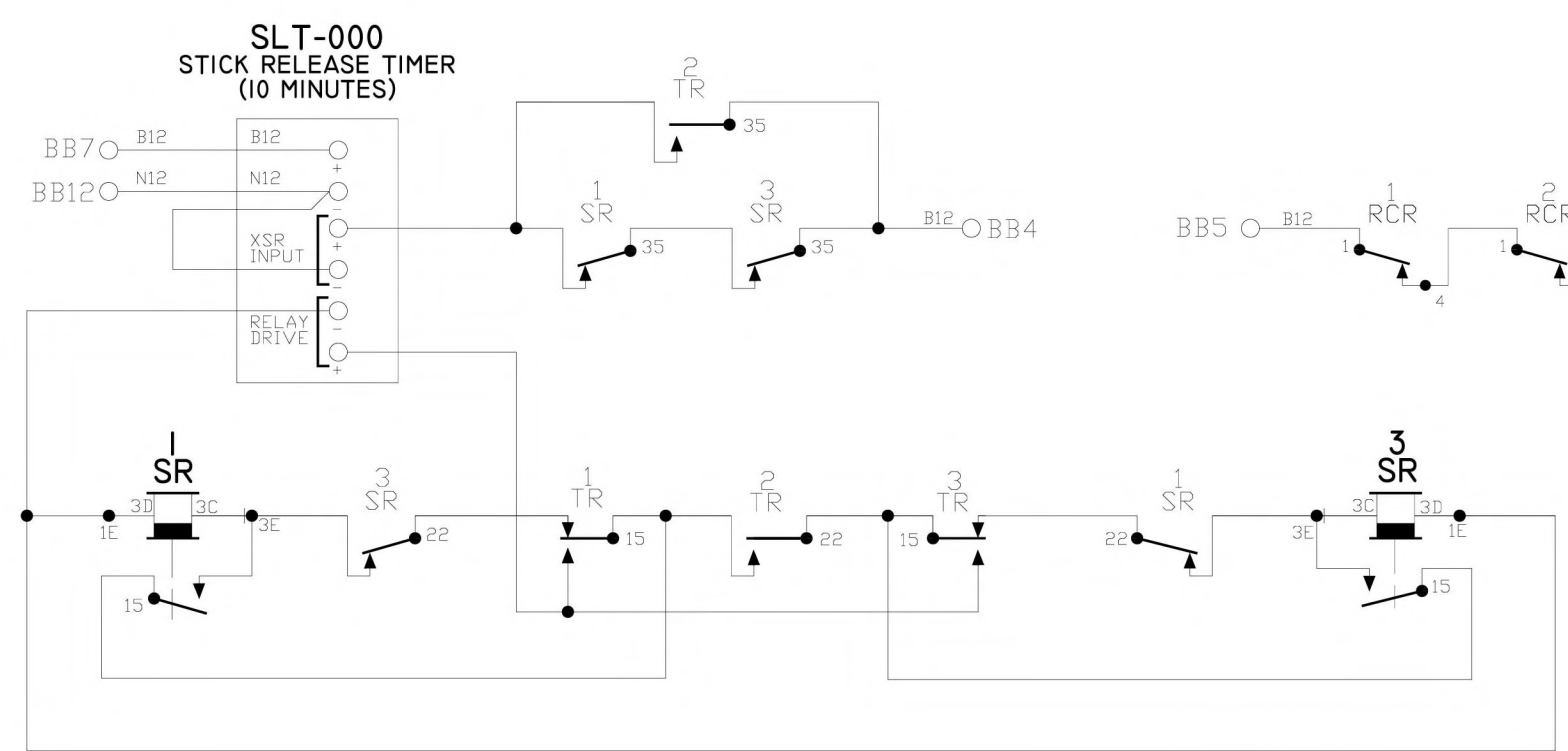
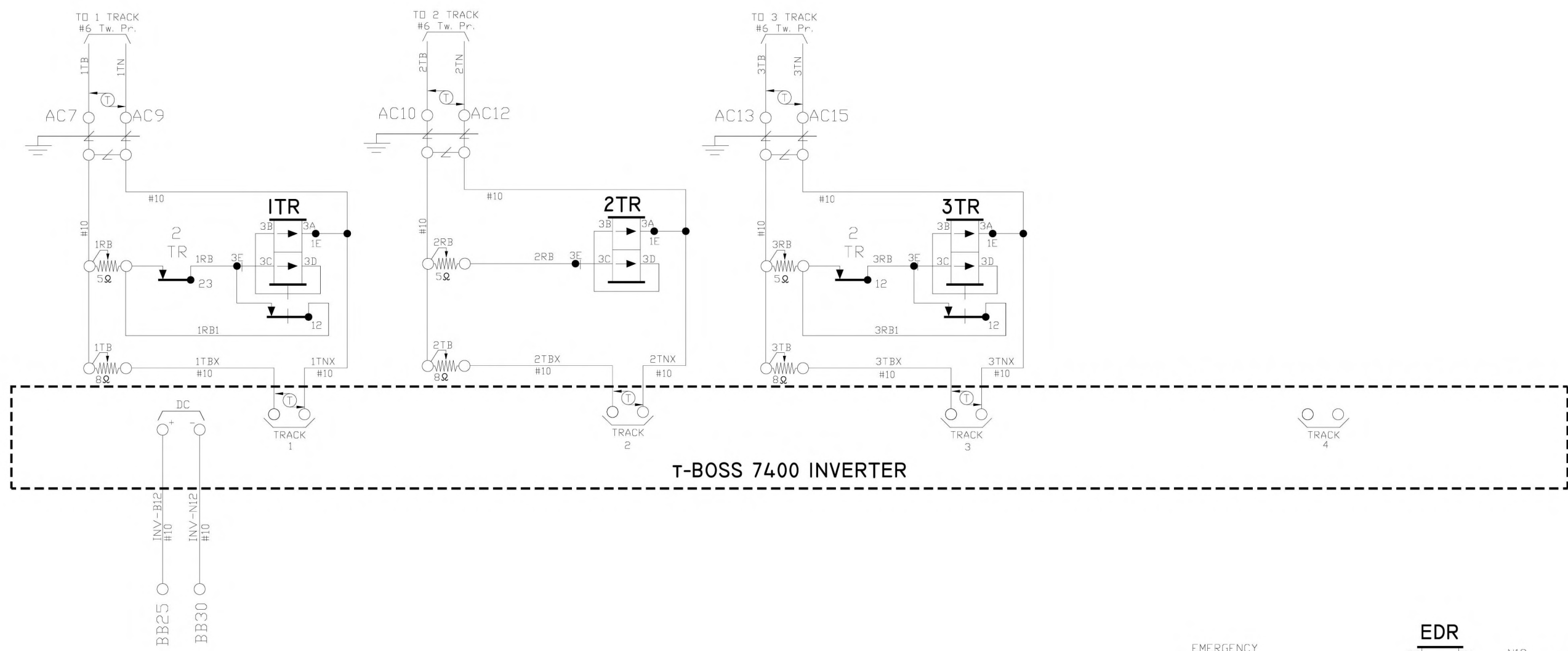
HOUSE TO SIGNAL #1 - 5/C #6 UG CABLE
 (GATE READY) - 7/C #14 UG CABLE
 HOUSE TO SIGNAL #2 - 5/C #6 UG CABLE
 (GATE READY) - 7/C #14 UG CABLE
 HOUSE TO AC SERVICE - 3/C #9 UG CABLE
 HOUSE TO 1TN & 1TB - 2/C #6 TW. PAIR UG CABLE
 HOUSE TO 2TN & 2TB - 2/C #6 TW. PAIR UG CABLE
 HOUSE TO 3TN & 3TB - 2/C #6 TW. PAIR UG CABLE

Exhibit C
Page 1 of 6

SHEET 1 OF 6

AS WIRED XX/XX/XXXX AS INSTALLED XX/XX/XXXX

DIAMONDBACK SIGNAL (410) 795-9601 5965 EXCHANGE DRIVE SUITE "D" SYKESVILLE, MD 21784	EAST PENN RAILROAD RAILROAD CROSSING WARNING DEVICES	
	SCALE: NONE	APPROVED BY: _____
DATE: 6/7/2023	DRAWN BY: NST	
REESE ROAD - DOT # 517 768C MP. 36.40 AVONDALE, CHESTER COUNTY, PA		
TRACK & CABLE PLAN		DRAWING NUMBER

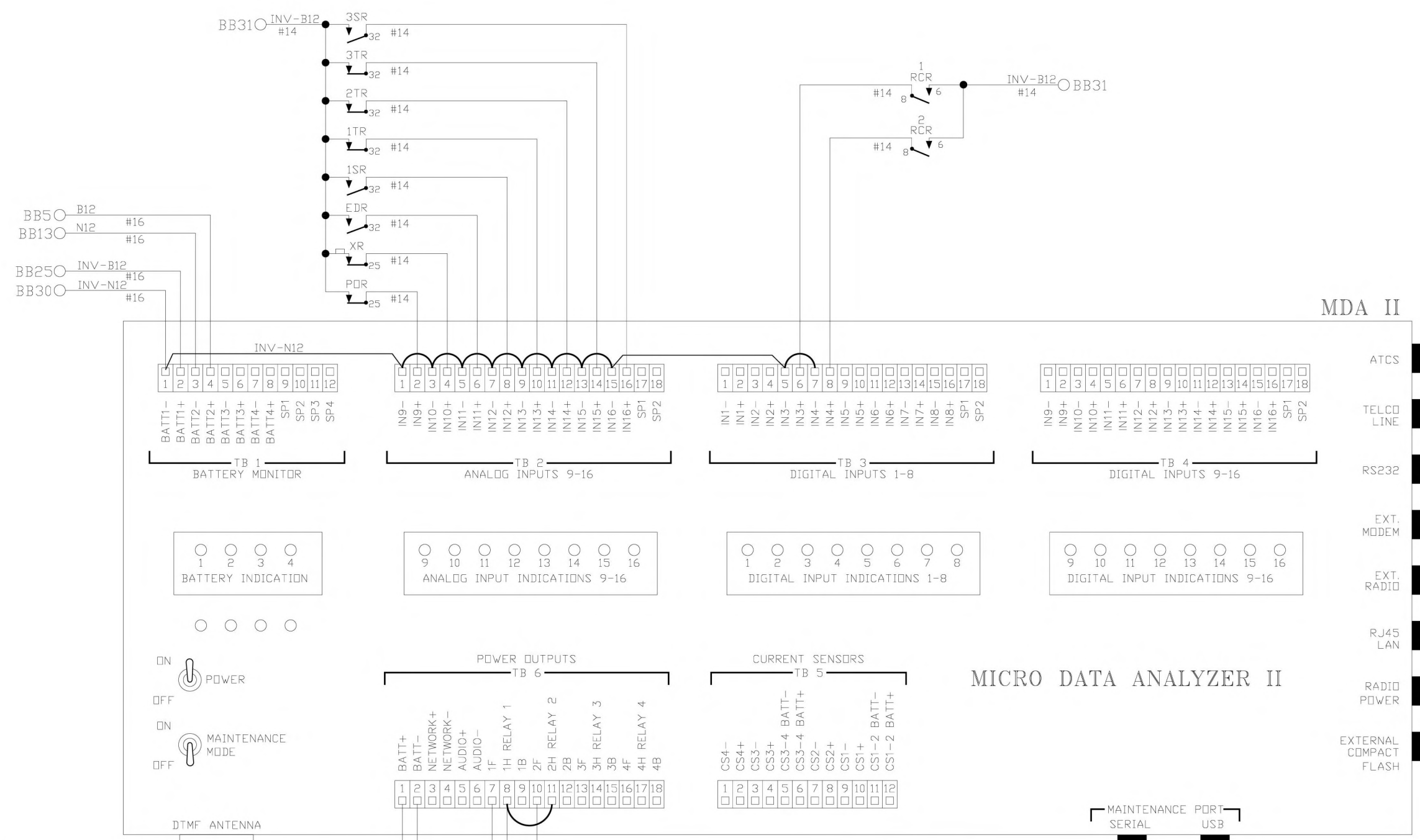


- NOTES:
1. ALL WIRE THIS SHEET IS #14 AWG FLEX UNLESS OTHERWISE NOTED.
 2. $\text{\textcircled{T}}$ DENOTES TWISTED PAIR.

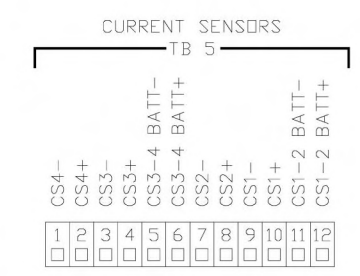
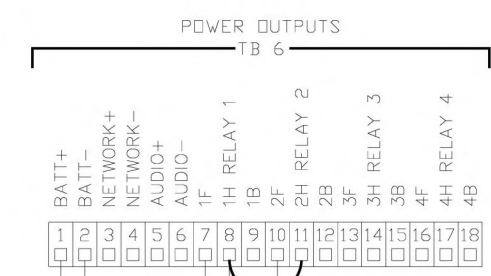
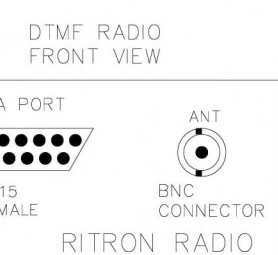
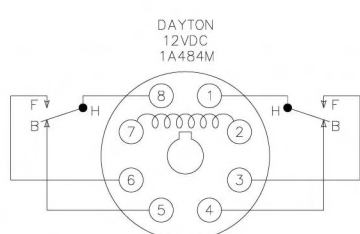
AS WIRED XX/XX/XXXX AS INSTALLED XX/XX/XXXX

DIAMONDBACK SIGNAL	EAST PENN RAILROAD RAILROAD CROSSING WARNING DEVICES	
	SCALE: NONE	APPROVED BY:
(410) 795-9601	DATE: 6/7/2023	DRAWN BY: NST
5965 EXCHANGE DRIVE SUITE "D" SYKESVILLE, MD 21784	REESE ROAD - DOT # 517 768C MP. 36.40 AVONDALE, CHESTER COUNTY, PA	
	CIRCUIT PLAN "A"	DRAWING NUMBER

Exhibit C
Page 2 of 6



ROOF MOUNT
VHF ANTENNA



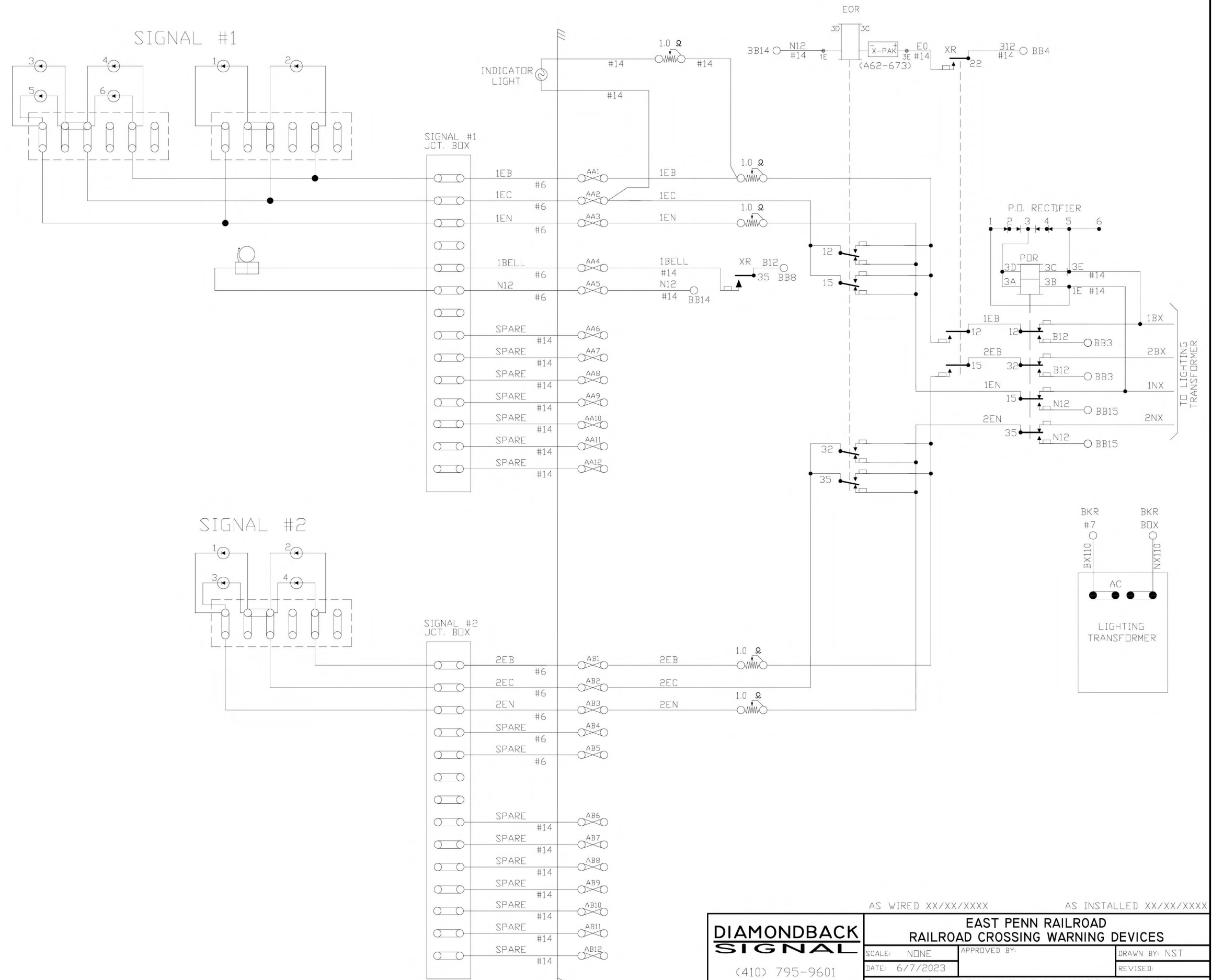
DTMF CODE	FUNCTION
768*	ACTIVATE RELAY 1 WITH NO TIMER
768#	DEACTIVATE RELAY 1
1768*	ACTIVATE RELAY 2 WITH TIMER
1768#	DEACTIVATE RELAY 2

NOTES:
1. ALL WIRE THIS SHEET #10 UNLESS OTHERWISE NOTED.
2. DENOTES TWISTED PAIR.

AS WIRED XX/XX/XXXX AS INSTALLED XX/XX/XXXX

DIAMONDBACK SIGNAL
(410) 795-9601
5965 EXCHANGE DRIVE
SUITE "D"
SYKESVILLE, MD
21784

EAST PENN RAILROAD RAILROAD CROSSING WARNING DEVICES		
SCALE: NONE	APPROVED BY:	DRAWN BY: NST
DATE: 6/7/2023		REVISED:
REESE ROAD - DOT # 517 768C MP. 36.40 AVONDALE, CHESTER COUNTY, PA		
CIRCUIT PLAN "B"		DRAWING NUMBER

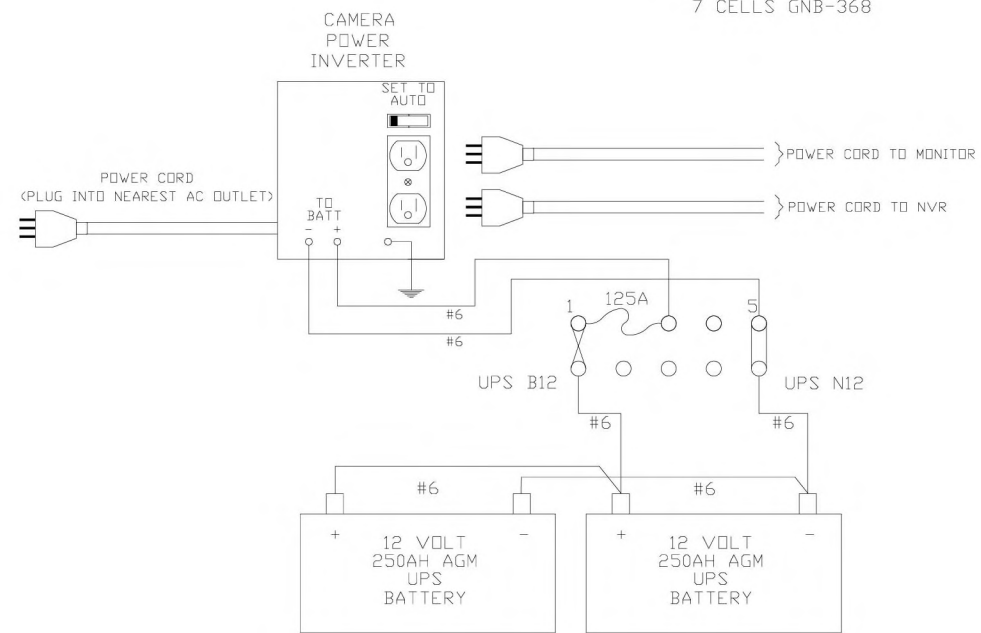
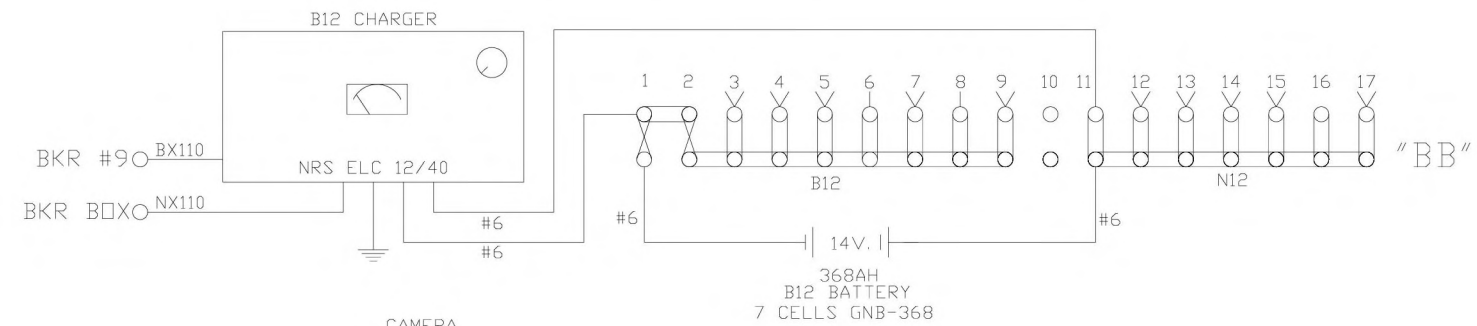
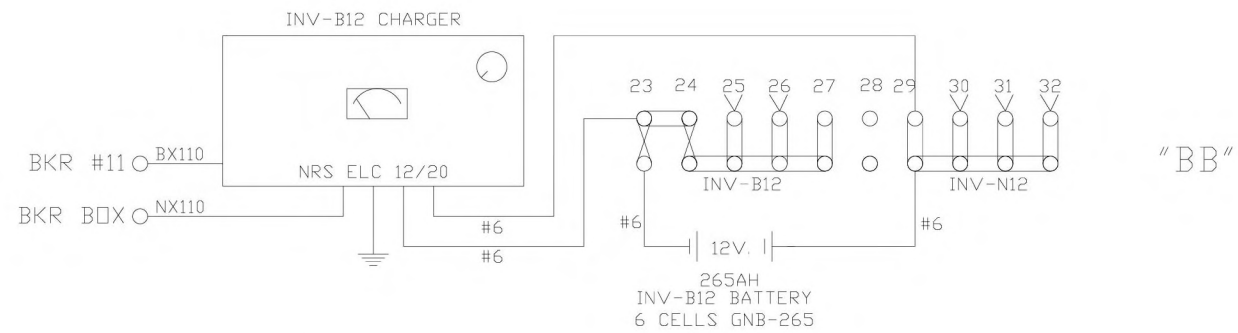


NOTES:
 1. ALL WIRE THIS SHEET IS #10 AWG. FLEX UNLESS OTHERWISE NOTED.
 2. FLASHER RELAY W/X-PAK (A62-673)

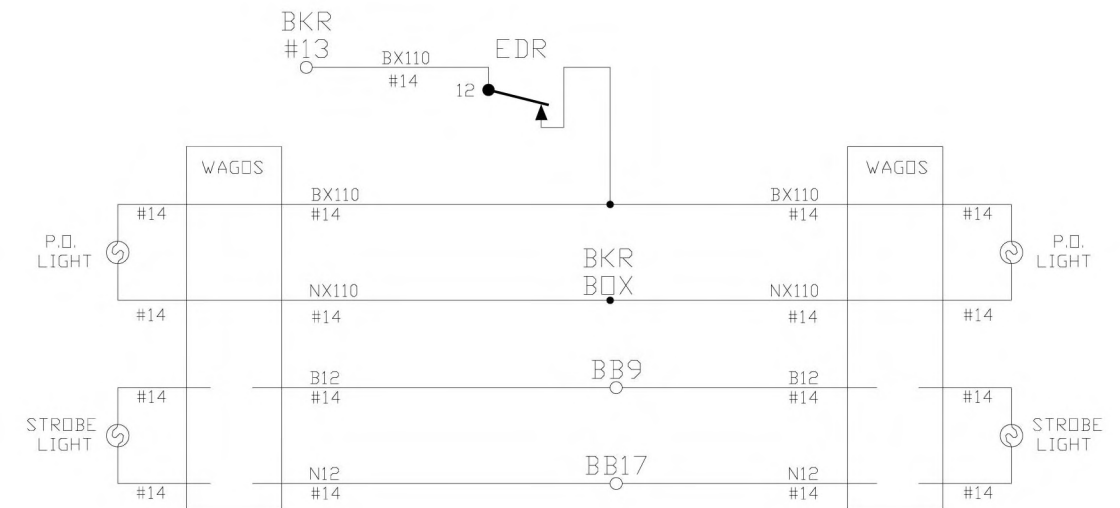
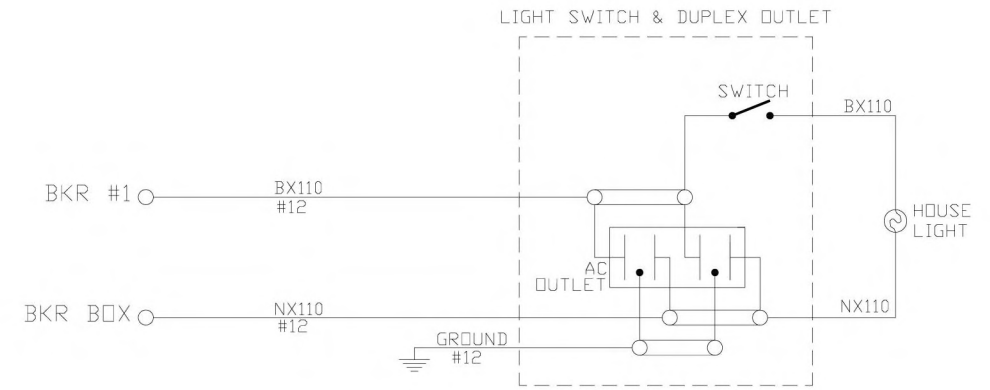
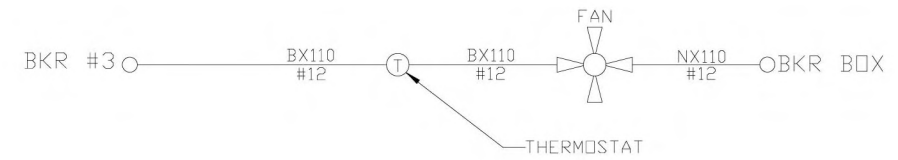
Exhibit C
 Page 4 of 6

SHEET 4 OF 6

DIAMONDBACK SIGNAL (410) 795-9601 5965 EXCHANGE DRIVE SUITE "D" SYKESVILLE, MD 21784	AS WIRED XX/XX/XXXX		AS INSTALLED XX/XX/XXXX	
	EAST PENN RAILROAD RAILROAD CROSSING WARNING DEVICES			
	SCALE: NONE	APPROVED BY:	DRAWN BY: NST	
	DATE: 6/7/2023	REVISI:	REVISED:	
REESE ROAD - DOT # 517 768C MP. 36.40 AVONDALE, CHESTER COUNTY, PA				
CIRCUIT PLAN "C"			DRAWING NUMBER	



"CB"



NOTE:
ALL WIRE THIS SHEET IS #10 AWG FLEX
UNLESS OTHERWISE NOTED.

AS WIRED XX/XX/XXXX AS INSTALLED XX/XX/XXXX

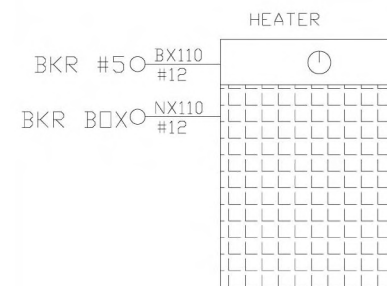
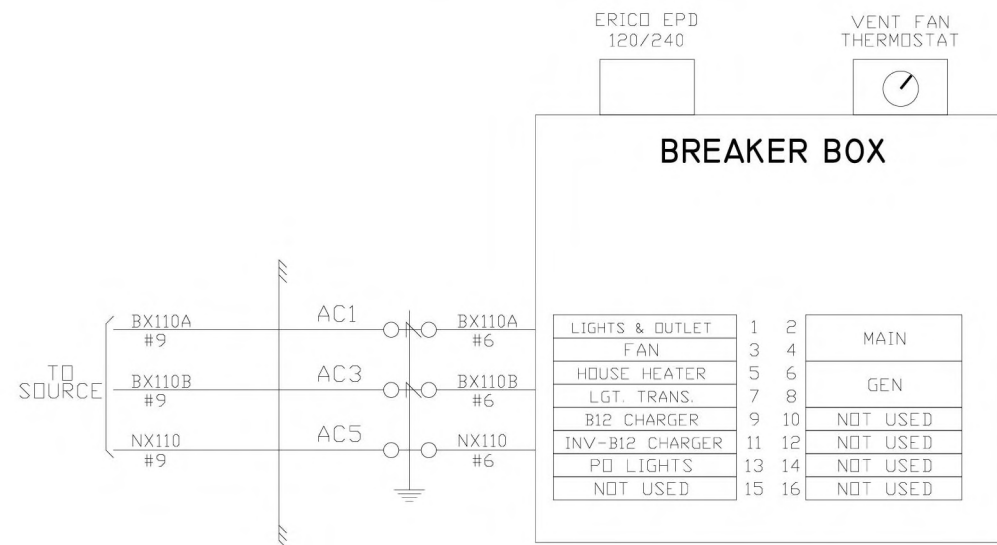


Exhibit C
Page 5 of 6

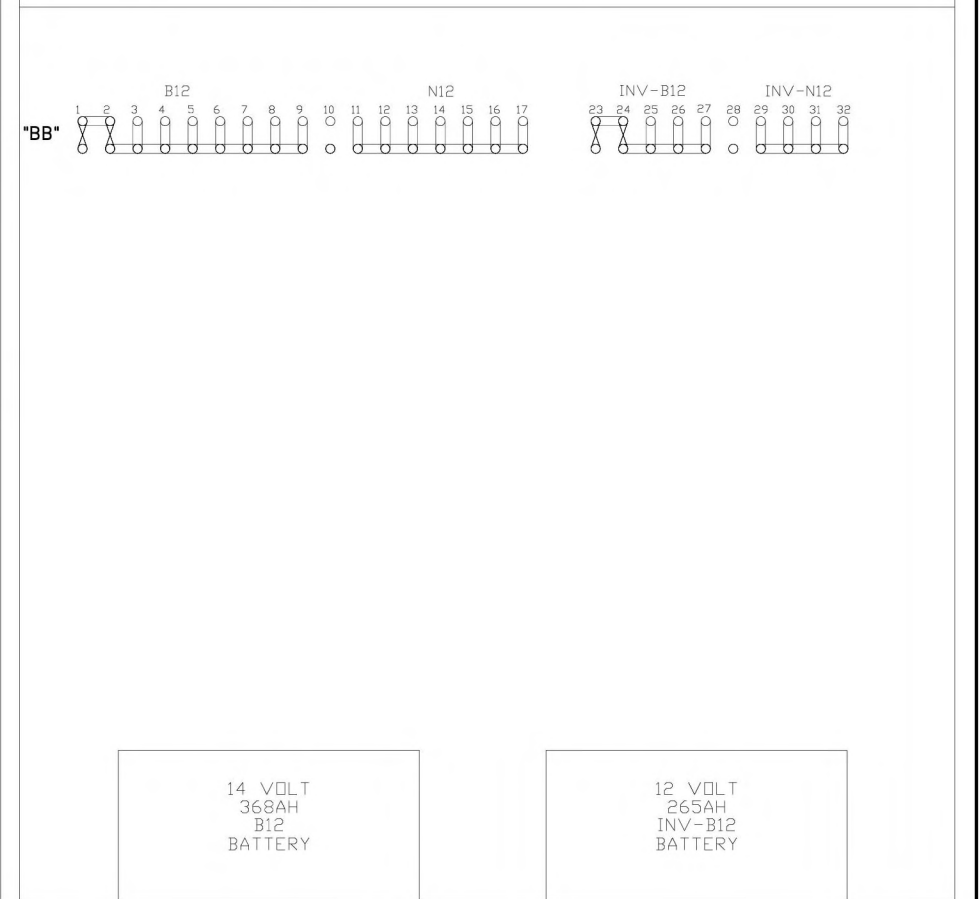
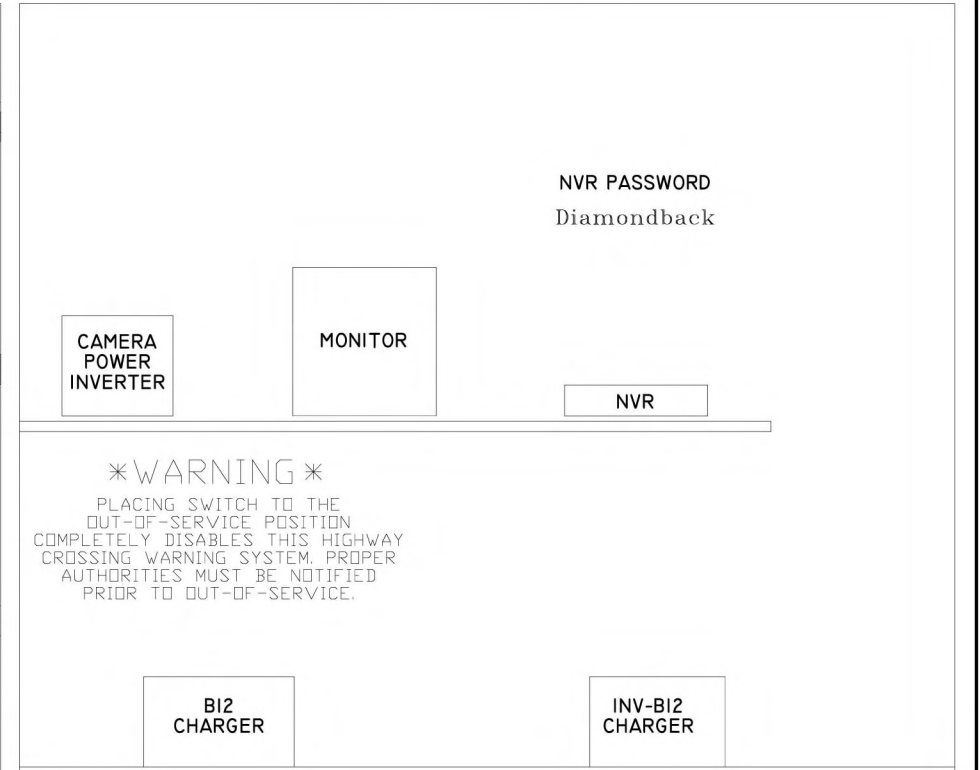
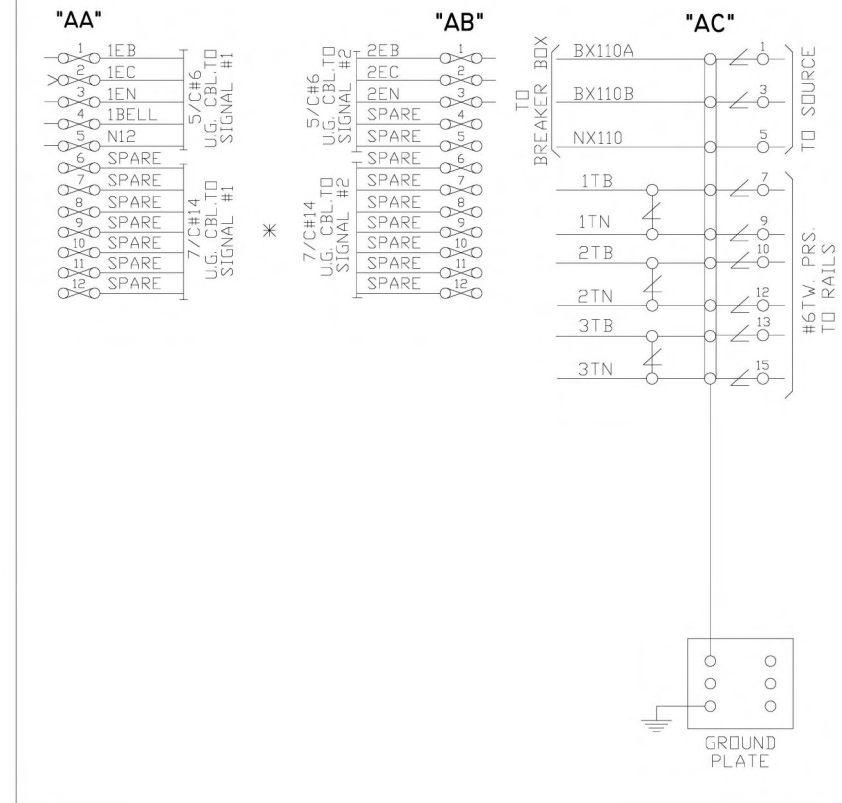
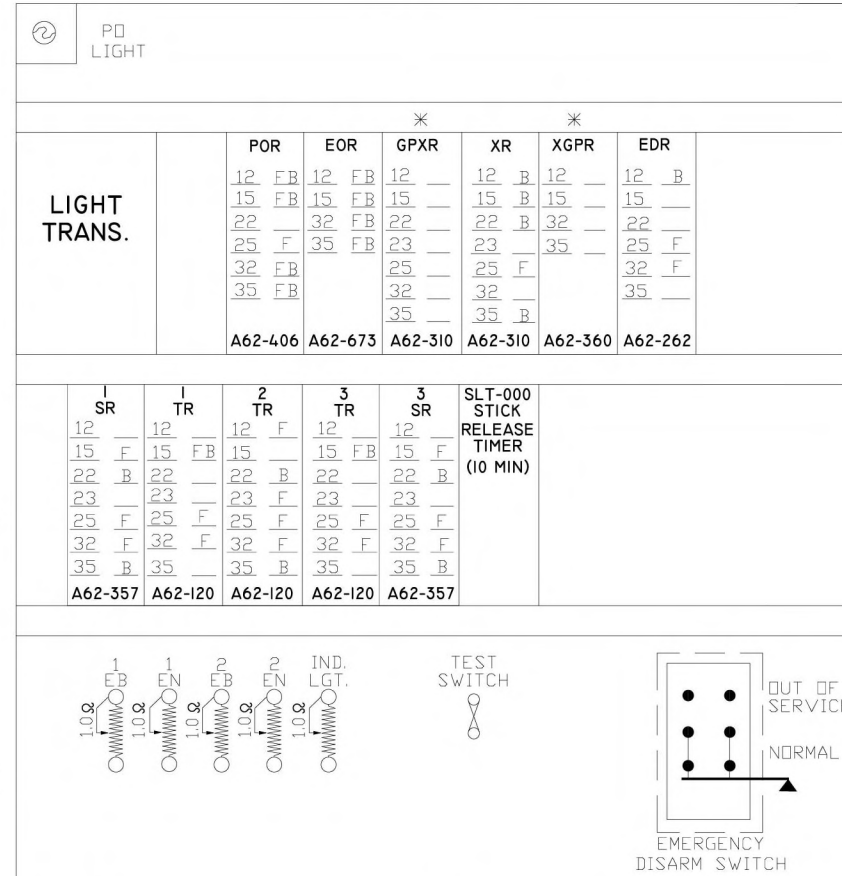
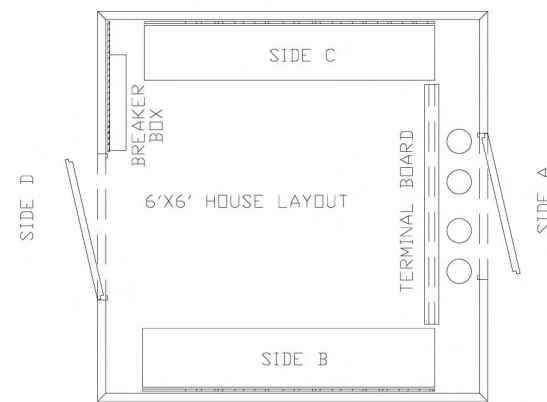
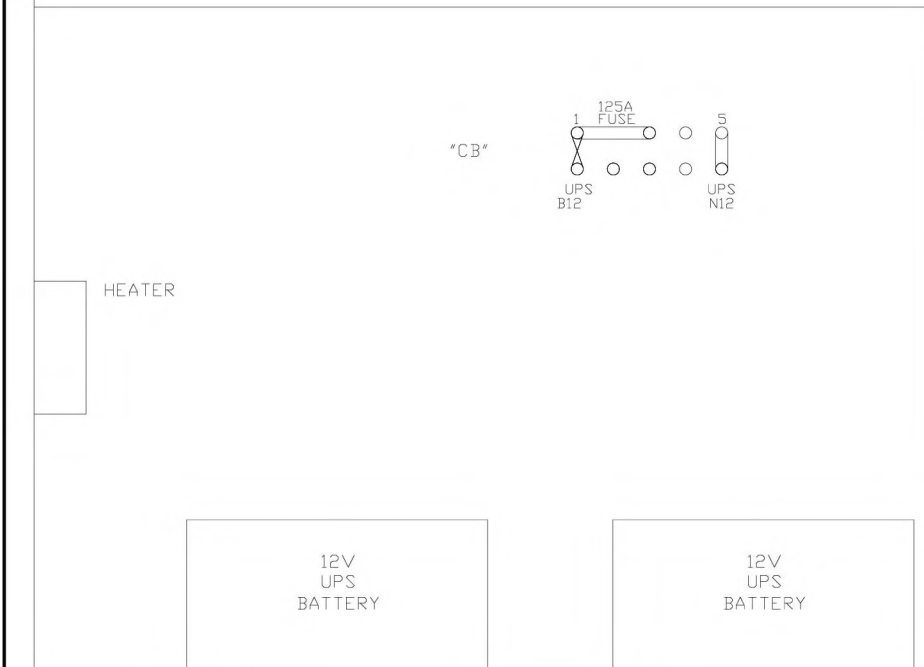
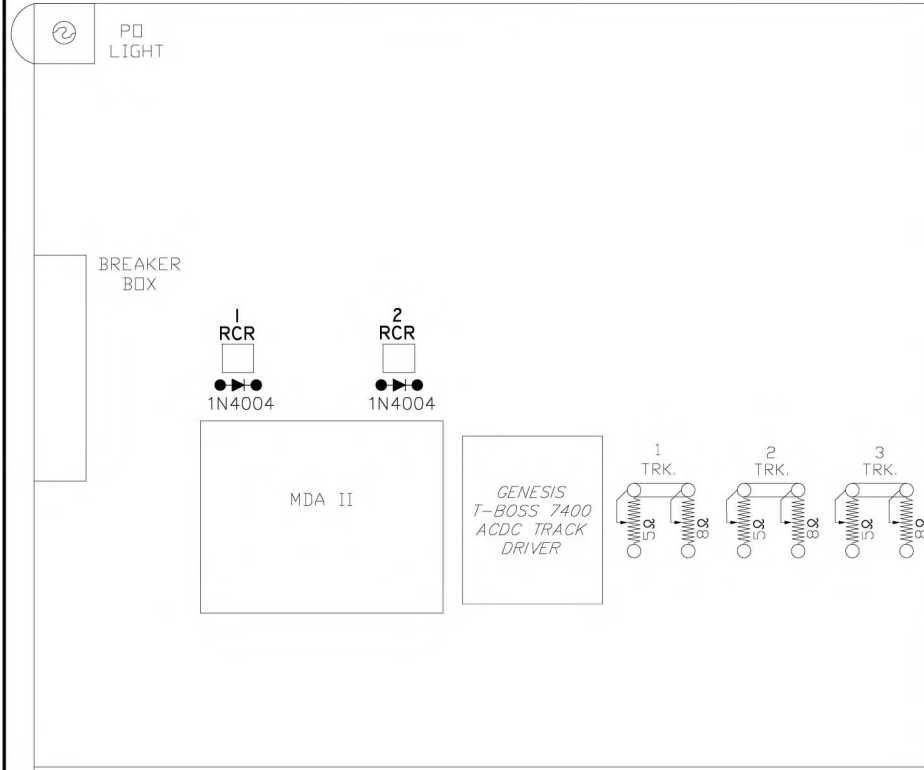
SHEET 5 OF 6

DIAMONDBACK SIGNAL	EAST PENN RAILROAD RAILROAD CROSSING WARNING DEVICES	
	SCALE: NONE	APPROVED BY:
(410) 795-9601	DATE: 6/7/2023	DRAWN BY: NST
5965 EXCHANGE DRIVE SUITE "D" SYKESVILLE, MD 21784	REESE ROAD - DOT # 517 768C MP. 36.40 AVONDALE, CHESTER COUNTY, PA	
	CIRCUIT PLAN "D"	DRAWING NUMBER

SIDE "C"

SIDE "A"

SIDE "B"



* - GATE READY

Exhibit C
Page 6 of 6

SHEET 6 OF 6

AS WIRED XX/XX/XXXX AS INSTALLED XX/XX/XXXX

DIAMONDBACK SIGNAL		EAST PENN RAILROAD RAILROAD CROSSING WARNING DEVICES	
		SCALE: NONE	APPROVED BY:
(410) 795-9601 5965 EXCHANGE DRIVE SUITE "D" SYKESVILLE, MD 21784		REESE ROAD - DOT # 517 768C MP. 36.40 AVONDALE, CHESTER COUNTY, PA	
		RELAY HOUSE LAYOUT	
		DRAWING NUMBER	