



Emily Farah
Assistant General Counsel
Legal Department

121 Champion Way, Ste. 100
Canonsburg, PA 15317
(724) 416-6321
efarah@nisource.com

January 13, 2026

VIA ELECTRONIC FILING

Matthew L. Homsher, Secretary
Pennsylvania Public Utility Commission
Commonwealth Keystone Building
400 North Street, 2nd Floor North
P.O. Box 3265
Harrisburg, PA 17105-3265

RE: Application of Columbia Gas of Pennsylvania, Inc. for approval of the alteration of the crossing (145-324E) where South Pennsylvania Avenue meets, at grade, Tracks of Southwest Pennsylvania Railroad (Omega Railroad/Carload Express) and alteration of the facilities where South Pennsylvania Avenue parallels, at grade, the tracks of Southwest Pennsylvania Railroad, by the installation of natural gas distribution facilities
Docket No. A-2025-3059333

Dear Secretary Homsher:

Columbia Gas of Pennsylvania, Inc. submits herewith a revised Exhibit A as a replacement for the version of Exhibit A that was submitted with the original Application that was filed in this matter on December 16, 2025, as well as an Updated Pipe Data form, as requested. As indicated on the attached Certificate of Service, copies have been served in the manner indicated.

Please contact me should you have any questions.

Sincerely,



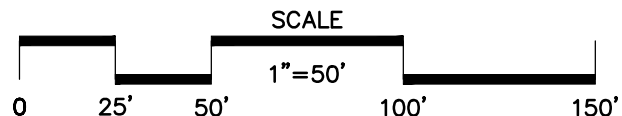
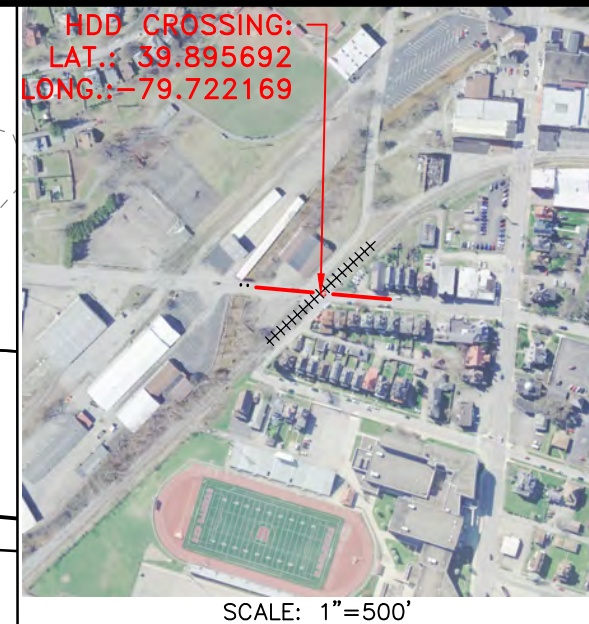
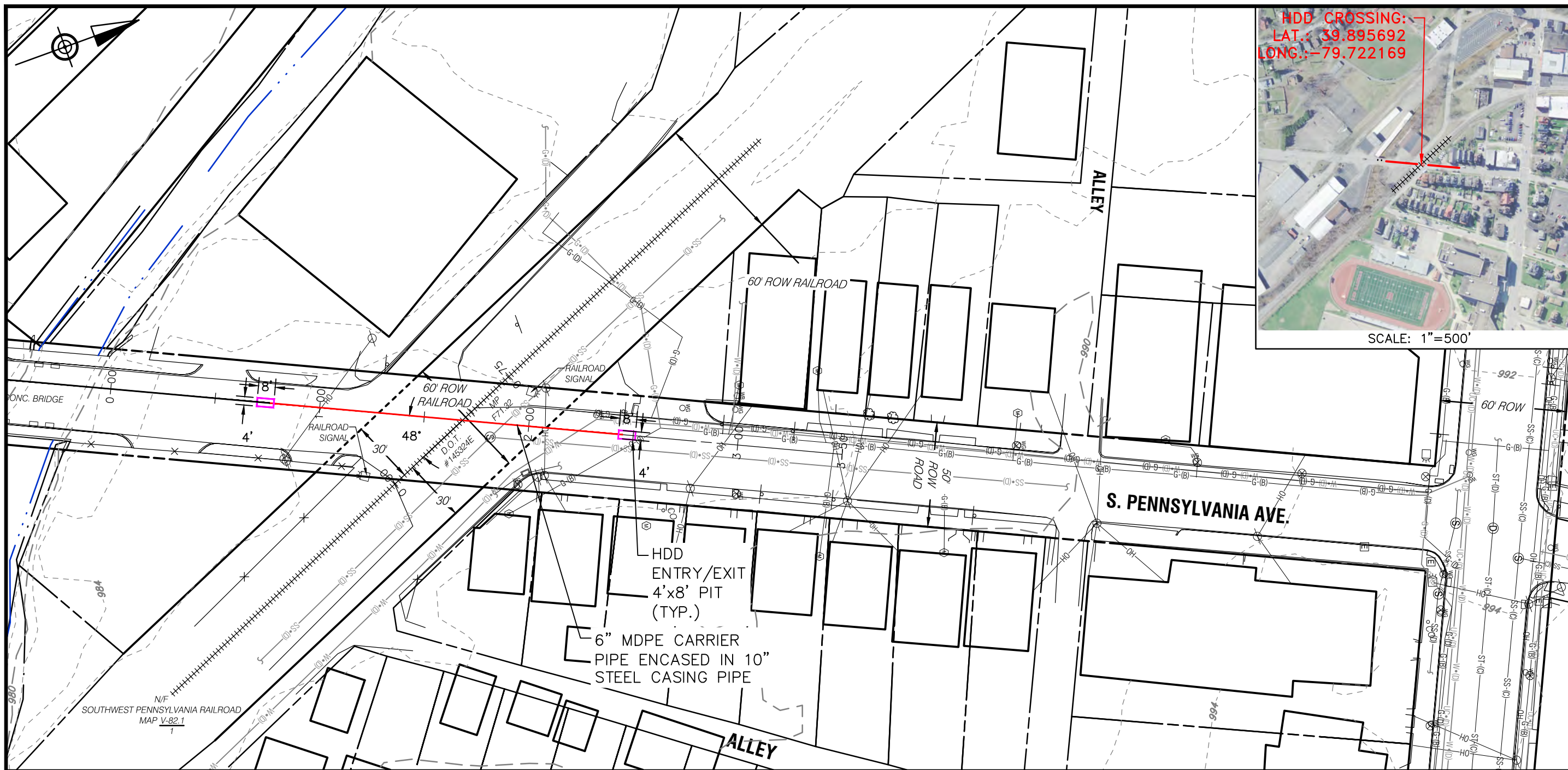
Emily Farah

/kak

Electronic Enclosure

Cc Dennis Moody/BTUS (w/enc.)
Certificate of Service (w/enc.)

REVISED EXHIBIT A



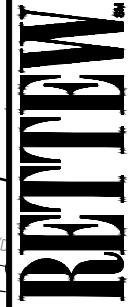
NOTES:

1. WITH THE EXCEPTION OF SOFT UTILITY EXCAVATION, ALL PHYSICAL WORK IS PLANNED TO BE CONDUCTED OUTSIDE OF RAILROAD RIGHT-OF-WAY. PERMIT APPLICATION IS FOR BORE ACTIVITIES UNDER EXISTING FACILITIES.
2. PIPELINE AND CROSSING TO BE INSTALLED AND MAINTAINED IN ACCORDANCE WITH ALL REQUIREMENTS WITH SPECIFICATIONS REQUIRED BY THE AMERICAN RAILWAY ENGINEERING ASSOCIATION, NATIONAL ELECTRIC SAFETY CODE, AND REQUIREMENTS OF CARLOAD EXPRESS, INC. (SOUTHWEST PENNSYLVANIA RAILROAD).
3. EXISTING UTILITIES SHOWN ON THESE PLANS WERE PREPARED USING ONE-CALL RESPONSES IN COMBINATION WITH FIELD OBSERVATION. ALL EXISTING UTILITY LOCATIONS AND DEPTH SHALL BE VERIFIED PRIOR TO COMMENCING WITH HDD AND WILL BE THE RESPONSIBILITY OF THE CONTRACTOR. EXISTING UTILITY DEPTHS HAVE BEEN ASSUMED TO BE 4' UNLESS SPECIFIED.
3. THE HORIZONTAL DATUM IS PENNSYLVANIA STATE PLANE, NORTH AMERICAN DATUM 1983 (NAD 83), SOUTH ZONE.
4. THE VERTICAL DATUM IS PENNSYLVANIA STATE PLANE, NORTH AMERICAN VERTICAL DATUM 1988 (NAVD 88).
5. EMERGENCY SHUT-OFF VALVES SHALL BE INSTALLED ON THE GAS LINE BEING INSTALLED AND WITHIN PERMITTED DISTANCES ON EACH SIDE OF THE RAILROAD AND EASILY ACCESSIBLE IN THE EVENT OF AN EMERGENCY.
6. BLASTING NOT PERMITTED

Columbia Gas
 12 SANDSTONE WAY
 DUNBAR, PA 15431
 A NiSource Company

REVISIONS

REV. #	DATE	DESCRIPTION
2	01/02/2025	REVISED PER RAILROAD COMMENTS
1	12/08/2025	CARRIER PIPE MATERIAL CHANGE
0	11/06/2025	ISSUED FOR PERMITTING



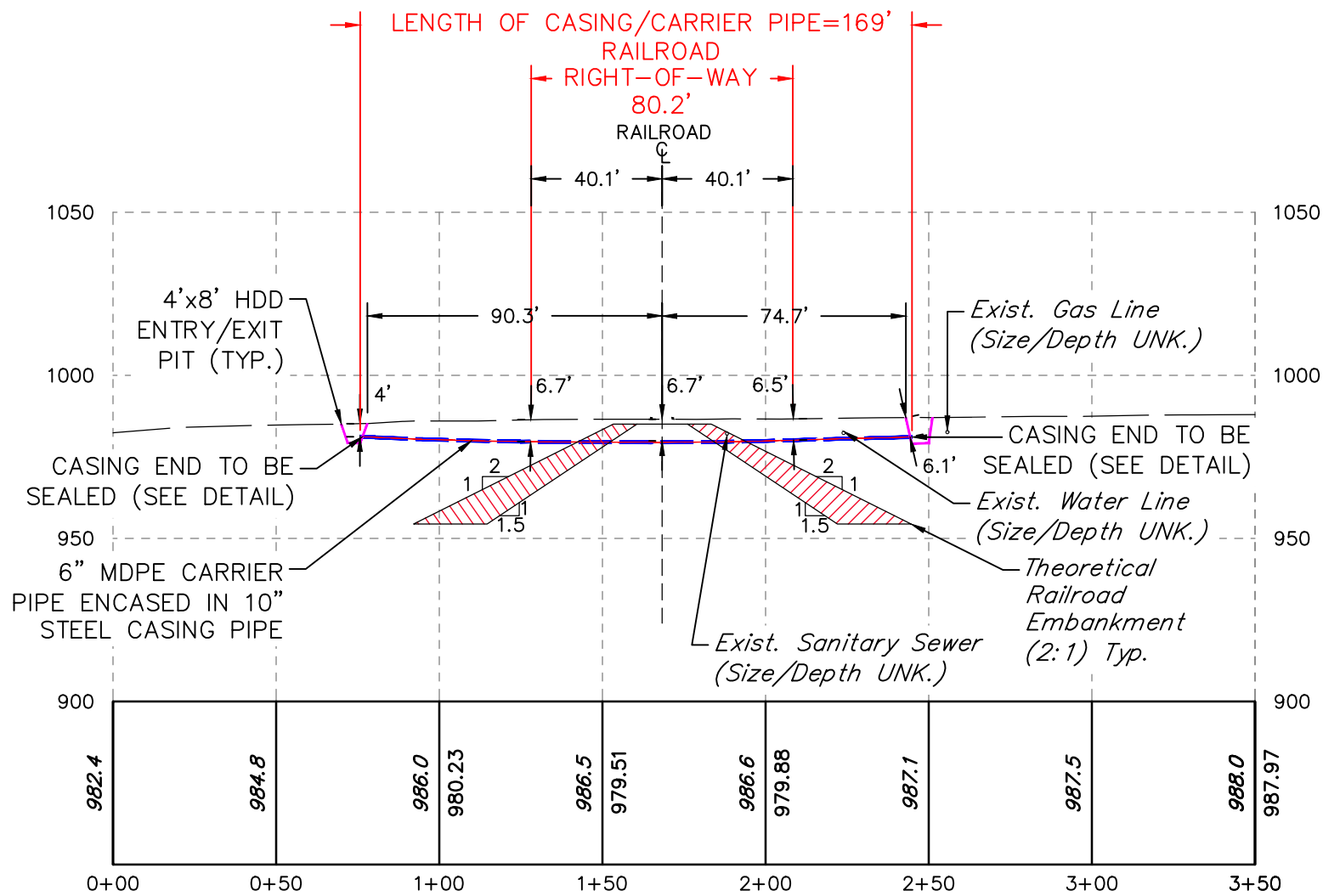
RETTEW Associates, Inc.
 3020 Columbia Avenue, Lancaster, PA 17603
 Phone (800) 738-8395
 Email: rettew@rettew.com
 Website: www.rettew.com

SOUTHWEST PENNSYLVANIA RAILROAD
 PERMIT PLAN

PA AVE. GRANT ST. PH. 2

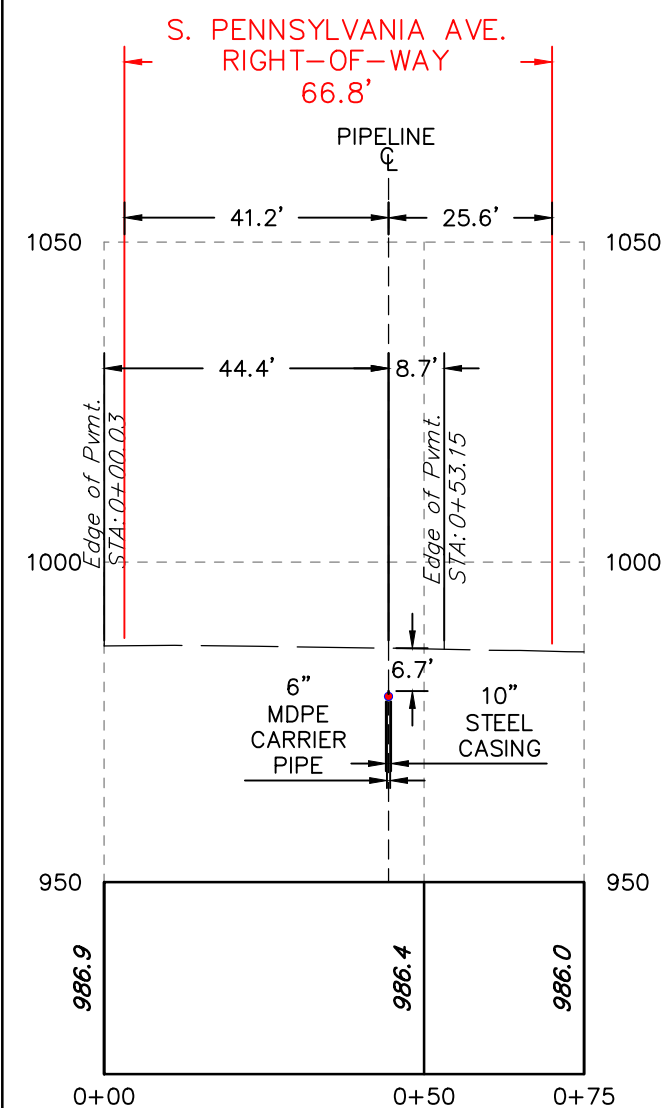
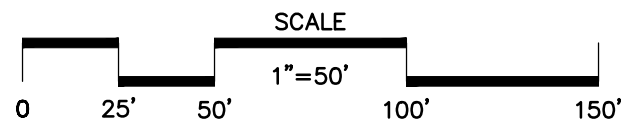
CITY OF UNIONTOWN FAYETTE COUNTY

DRAWN BY: MEI
 DATE: 11/03/2025
 SCALE: AS NOTED
 DWG. NO. 0257002964



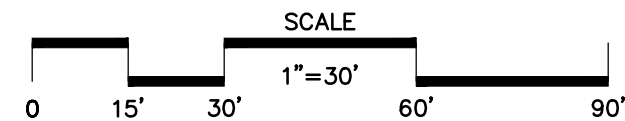
CENTERLINE PROFILE OF RAILROAD X-ING

HORIZONTAL SCALE - 1"=50'
 VERTICAL SCALE - 1"=50'



CROSS SECTION LOCATED AT STA. 1+68

HORIZONTAL SCALE - 1"=30'
 VERTICAL SCALE - 1"=30'



NOTES:

- WITH THE EXCEPTION OF SOFT UTILITY EXCAVATION, ALL PHYSICAL WORK IS PLANNED TO BE CONDUCTED OUTSIDE OF RAILROAD RIGHT-OF-WAY. PERMIT APPLICATION IS FOR BORE ACTIVITIES UNDER EXISTING FACILITIES.
- PIPELINE AND CROSSING TO BE INSTALLED AND MAINTAINED IN ACCORDANCE WITH ALL REQUIREMENTS WITH SPECIFICATIONS REQUIRED BY THE AMERICAN RAILWAY ENGINEERING ASSOCIATION, NATIONAL ELECTRIC SAFETY CODE, AND REQUIREMENTS OF CARLOAD EXPRESS, INC. (SOUTHWEST PENNSYLVANIA RAILROAD).
- EXISTING UTILITIES SHOWN ON THESE PLANS WERE PREPARED USING ONE-CALL RESPONSES IN COMBINATION WITH FIELD OBSERVATION. ALL EXISTING UTILITY LOCATIONS AND DEPTH SHALL BE VERIFIED PRIOR TO COMMENCING WITH HDD AND WILL BE THE RESPONSIBILITY OF THE CONTRACTOR. EXISTING UTILITY DEPTHS HAVE BEEN ASSUMED TO BE 4' UNLESS SPECIFIED.
- THE HORIZONTAL DATUM IS PENNSYLVANIA STATE PLANE, NORTH AMERICAN DATUM 1983 (NAD 83), SOUTH ZONE.
- THE VERTICAL DATUM IS PENNSYLVANIA STATE PLANE, NORTH AMERICAN VERTICAL DATUM 1988 (NAVD 88).
- EMERGENCY SHUT-OFF VALVES SHALL BE INSTALLED ON THE GAS LINE BEING INSTALLED AND WITHIN PERMITTED DISTANCES ON EACH SIDE OF THE RAILROAD AND EASILY ACCESSIBLE IN THE EVENT OF AN EMERGENCY.
- BLASTING NOT PERMITTED



REVISIONS

REV. #	DATE	DESCRIPTION
2	01/02/2025	REVISED PER RAILROAD COMMENTS
1	12/08/2025	CARRIER PIPE MATERIAL CHANGE
0	11/06/2025	ISSUED FOR PERMITTING

DRAWN BY: MEI
 DATE: 10/30/2025
 SCALE: AS NOTED
 DWG. NO. 0287002964

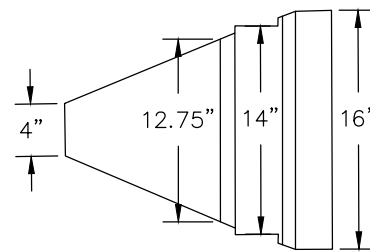
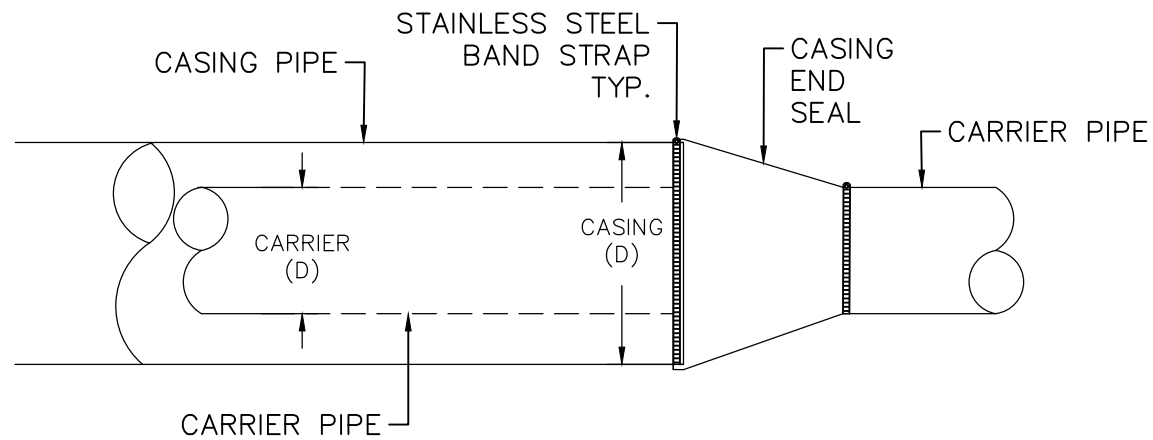


RETTEW Associates, Inc.
 3020 Columbia Avenue, Lancaster, PA 17603
 Phone (800) 738-8395
 Email: rettew@rettew.com
 Website: www.rettew.com

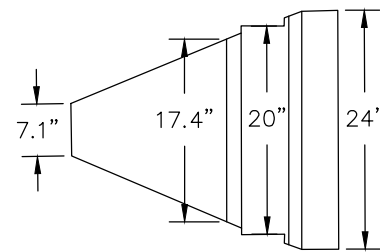
SOUTHWEST PENNSYLVANIA RAILROAD
 PERMIT PLAN

PA AVE. GRANT ST. PH. 2

CITY OF UNIONTOWN FAYETTE



CASING END SEAL
(DIAMETERS RANGE
FROM 4" TO 12.75")



CASING END SEAL
(DIAMETERS RANGE
FROM 7.1" TO 17.4")

**APS AMCE END SEAL
DETAIL FOR CASING PIPE**

NOT TO SCALE

PA ONE CALL UNDERGROUND UTILITY PROTECTION ACT

PURSUANT TO THE PROVISIONS OF ACT NO. 287 OF 1974, AS AMENDED BY ACT 187 OF 1996, ACT 181 OF 2006, ACT 160 OF 2016 AND ACT 50 OF 2017 OF THE PENNSYLVANIA STATE LEGISLATURE, RETTEW ASSOCIATES, INC. HAS PERFORMED THE FOLLOWING IN PREPARING THESE DRAWINGS REQUIRING EXCAVATION OR DEMOLITION WORK AT SITES WITHIN THE POLITICAL SUBDIVISION(S) SHOWN ON THE DRAWINGS:

1. PURSUANT TO SECTION 4, CLAUSE (2) OF SAID ACT, RETTEW ASSOCIATES, INC. REQUESTED FROM EACH FACILITY OWNER DESIGNATED ON SUCH LIST PROVIDED BY THE ONE CALL SYSTEM NOTIFICATION, THE INFORMATION PRESCRIBED BY SECTION 2, CLAUSE (4) OF SAID ACT, NOT LESS THAN TEN (10) NOR MORE THAN NINETY (90) BUSINESS DAYS BEFORE FINAL DESIGN IS TO BE COMPLETED.
2. PURSUANT TO SECTION 4, CLAUSE (5) OF SAID ACT, RETTEW ASSOCIATES, INC. HAS MET THEIR OBLIGATIONS OF CLAUSE (2) BY CALLING THE PENNSYLVANIA ONE CALL SYSTEM SERVING THE LOCATION WHERE THE WORK IS TO BE PERFORMED, AND SHOWING THE ASSOCIATED SERIAL NUMBER(S) ON THIS/THESE DRAWING(S).
3. PURSUANT TO SECTION 4, CLAUSE (3) OF SAID ACT, RETTEW ASSOCIATES, INC. HAS SHOWN UPON THIS/THESE DRAWING(S) THE POSITION AND TYPE OF EACH FACILITY, AS DERIVED PURSUANT TO THE REQUEST MADE AS REQUIRED BY CLAUSE (2),
4. PURSUANT TO SECTION 4, CLAUSE (5) OF SAID ACT, RETTEW ASSOCIATES, INC. HAS SHOWN UPON THIS/THESE DRAWING(S) THE TOLL-FREE NUMBER FOR THE ONE CALL SYSTEM AND THE SERIAL NUMBER(S) FOR THE ASSOCIATED ONE CALL SYSTEM NOTIFICATION(S),

ADDITIONALLY, RETTEW ASSOCIATES, INC. DOES NOT MAKE ANY REPRESENTATION, WARRANTY, ASSURANCE OR GUARANTEE THAT THE INFORMATION RECEIVED PURSUANT TO SAID REQUEST, AND AS REFLECTED ON THIS/THESE DRAWING(S), IS CORRECT OR ACCURATE. INFORMATION REFLECTED ON THIS/THESE DRAWING(S) IS SHOWN AS REQUIRED BY SAID ACT NO. 160 OF 2016, AND AS PROVIDED BY THE FACILITY OWNER PURSUANT TO SECTION 2, CLAUSE (4) OF SAID ACT.

DATE: 09/25/2025
ONE CALL SYSTEM SERIAL NUMBER: 20251291705

IT IS THE CLIENT'S RESPONSIBILITY TO NOTIFY RETTEW NO LESS THAN 10 DAYS AND NO MORE THAN 90 DAYS PRIOR TO THE CONSTRUCTION BEGIN DATE. THIS NOTIFICATION WILL ALLOW US TO UPDATE THE PA811 ONE CALL TICKETS ASSOCIATED WITH THIS PROJECT, WHICH IS A REQUIREMENT UNDER ACT 287.



1-800-242-1776
CALL BEFORE YOU DIG!
PENNSYLVANIA LAW REQUIRES THREE (3)
WORKING DAYS NOTICE FOR CONSTRUCTION
PHASE AND TEN (10) WORKING DAYS IN
DESIGN STAGE - STOP CALL

NOTES:

1. WITH THE EXCEPTION OF SOFT UTILITY EXCAVATION, ALL PHYSICAL WORK IS PLANNED TO BE CONDUCTED OUTSIDE OF RAILROAD RIGHT-OF-WAY. PERMIT APPLICATION IS FOR BORE ACTIVITIES UNDER EXISTING FACILITIES.
2. PIPELINE AND CROSSING TO BE INSTALLED AND MAINTAINED IN ACCORDANCE WITH ALL REQUIREMENTS WITH SPECIFICATIONS REQUIRED BY THE AMERICAN RAILWAY ENGINEERING ASSOCIATION, NATIONAL ELECTRIC SAFETY CODE, AND REQUIREMENTS OF CARLOAD EXPRESS, INC. (SOUTHWEST PENNSYLVANIA RAILROAD).
3. EXISTING UTILITIES SHOWN ON THESE PLANS WERE PREPARED USING ONE-CALL RESPONSES IN COMBINATION WITH FIELD OBSERVATION. ALL EXISTING UTILITY LOCATIONS AND DEPTH SHALL BE VERIFIED PRIOR TO COMMENCING WITH HDD AND WILL BE THE RESPONSIBILITY OF THE CONTRACTOR. EXISTING UTILITY DEPTHS HAVE BEEN ASSUMED TO BE 4' UNLESS SPECIFIED.
3. THE HORIZONTAL DATUM IS PENNSYLVANIA STATE PLANE, NORTH AMERICAN DATUM 1983 (NAD 83), SOUTH ZONE.
4. THE VERTICAL DATUM IS PENNSYLVANIA STATE PLANE, NORTH AMERICAN VERTICAL DATUM 1988 (NAVD 88).
5. EMERGENCY SHUT-OFF VALVES SHALL BE INSTALLED ON THE GAS LINE BEING INSTALLED AND WITHIN PERMITTED DISTANCES ON EACH SIDE OF THE RAILROAD AND EASILY ACCESSIBLE IN THE EVENT OF AN EMERGENCY.
6. BLASTING NOT PERMITTED



12 SANDSTONE WAY
DUNBAR, PA 15431

A NiSource Company

REVISIONS

REV. #	DATE	DESCRIPTION
2	01/02/2025	REVISED PER RAILROAD COMMENTS
1	12/08/2025	CARRIER PIPE MATERIAL CHANGE
0	11/06/2025	ISSUED FOR PERMITTING

DRAWN BY: MEI
DATE: 10/30/2025
SCALE: AS NOTED
DWG. NO. 0287002964

RETTEW
RETTEW Associates, Inc.
3020 Columbia Avenue, Lancaster, PA 17603
Phone: (800) 738-8395
Email: rettew@rettew.com
Website: www.rettew.com

SOUTHWEST PENNSYLVANIA RAILROAD
PERMIT PLAN
PA AVE. GRANT ST. PH. 2
CITY OF UNIONTOWN
FAYETTE

UPDATED PIPE DATA FORM

PIPELINE OCCUPATIONS

PIPE DATA SHEET

(For crossings and longitudinal occupancy)

	PIPE DATA	
	CARRIER PIPE	CASING PIPE
CONTENTS TO BE HANDLED	Natural Gas	N/A
NORMAL OPERATING PRESSURE	50 psig	N/A
NOMINAL SIZE OF PIPE	6-inch	10-inch
OUTSIDE DIAMETER	6.134"	10.750"
INSIDE DIAMETER	5.643"	10.020"
WALL THICKNESS	0.491"	0.365"
WEIGHT PER FOOT	SDR 13.5	40.52 lb/ft
MATERIAL	Plastic	Steel
PROCESS OF MANUFACTURE	Extrusion	Electric-resistance weld
SPECIFICATION	MDPE 2406 / 2708	X-52
GRADE OR CLASS	See above	See above
TEST PRESSURE	90 psig	N/A
TYPE OF JOINT	Butt Fusion	Weld
TYPE OF COATING	N/A	N/A
DETAILS OF CATHODIC PROTECTION	N/A	N/A
DETAILS OF SEALS OR PROTECTION AT ENDS OF CASING	N/A	Foam
METHOD OF INSTALLATION	Directional Bore	Directional Bore
CHARACTER OF SUBSURFACE MATERIAL AT THE CROSSING LOCATION	Unknown	Unknown
APPROXIMATE GROUND WATER LEVEL	Unknown	Unknown
SOURCE OF INFORMATION ON SUBSURFACE CONDITIONS (BORINGS, TEST PITS OR OTHER)	N/A	N/A

CERTIFICATE OF SERVICE

I hereby certify that I have this day served a true copy of the foregoing document upon the participants, listed below, in accordance with the requirements of § 1.54 (*relating to service by participant*).

VIA ELECTRONIC MAILING ONLY

Omega Railroad / Carload Express
Bldg 1, Suite 100
Oakmont, PA 15139
dennisshow@carloadexpress.com

Atlantic Broadband
320 Bailey Ave
Uniontown, PA 15401
djobs.uch@atlanticbbn.net

Pennsylvania Department of Transportation
District 12
825 North Gallatin Ave. Ext.
Uniontown, PA 15401
repley@pa.gov

Fayette County Housing Authority
624 Pittsburgh St
Uniontown, PA 15401
lkaefer@faycha.org

West Penn Power
800 Cabin Hill Dr
Greensburg, PA 15601
madams@firstenergycorp.com

Vitalink
213 Main St,
Markleysburg, PA 15459
JEFF.FRAZEE@VITALINK.US

Verizon Pittsburgh, LLC
416 Seventh Ave
Pittsburgh, PA 15219
victor.s.wood@verizon.com

OmniFiber
Physical Address Not Available
jarred.jeffrey@omnifiber.com

North Union Township
7 South Evans Station Road
Lemont Furnace, PA 15456
angela@nutwp.com

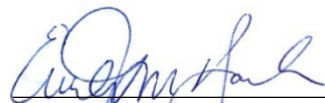
North Fayette County Municipal Authority
1634 University Dr
Dunbar, PA 15431
KENNY@NFCMA.ORG

Pennsylvania American Water
72 Coolspring St
Uniontown, PA 15401
ERIC.YARBROUGH@AMWATER.COM

CenturyLink
Physical Address Not Available
nolan.snyder@centurylink.com

Dated this 13th day of January 2026

By:



Emily M. Farah
Assistant General Counsel