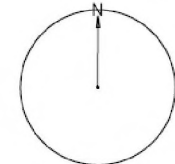


METHOD: AERIAL CROSSING
 MUNICIPALITY: SPRUCE CREEK TWP
 COUNTY: HUNTINGDON
 CROSSING NUMBER: 506520K
 LAT: 40.620164
 LONG: -78.166628

**FLAGGING
 REQUIRED**

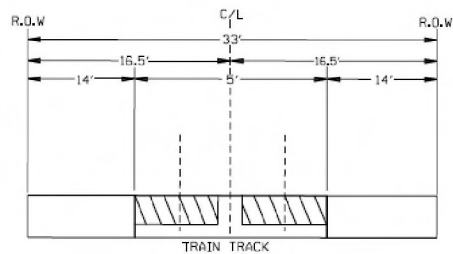
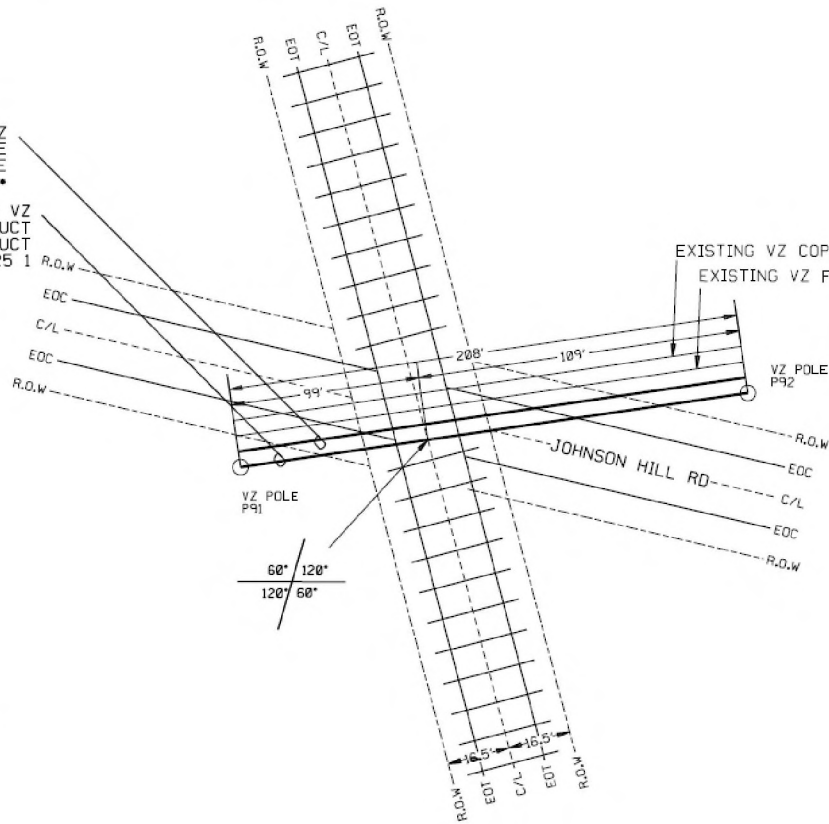
**KEYSTONE PITTSBURGH LINE
 PERMIT SKETCH
 1A7AA6N**



PLACING A VZ
 FIBER OPTIC CABLE
 208' CABLE
 ROCKET RIB DIELECTRIC 432--

PLACING A VZ
 AERIAL INNERDUCT
 208' INNERDUCT
 INDT 4-WAY 1.25 1

EXISTING VZ COPPER CABLE
 EXISTING VZ FIBER CABLE



CERTIFIED CORRECT PLANS

Will M. D. P.E.
 Professional Engineer

Approved by Bureau of Technical Utility Services

PA PUBLIC UTILITY COMMISSION

ATTEST *Matthew L. Hamaker* **12/31/2025**
 Secretary **Docket: A-2025-3059101**

PRINT 1 OF 2
 NOT TO SCALE

KEYSTONE PITTSBURGH LINE
PERMIT SKETCH
1A7AA6N

