

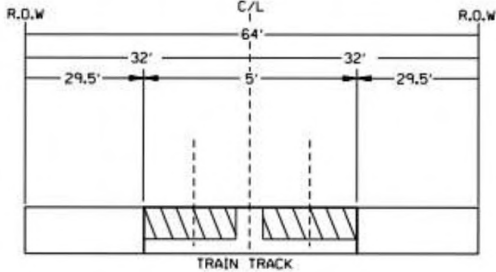
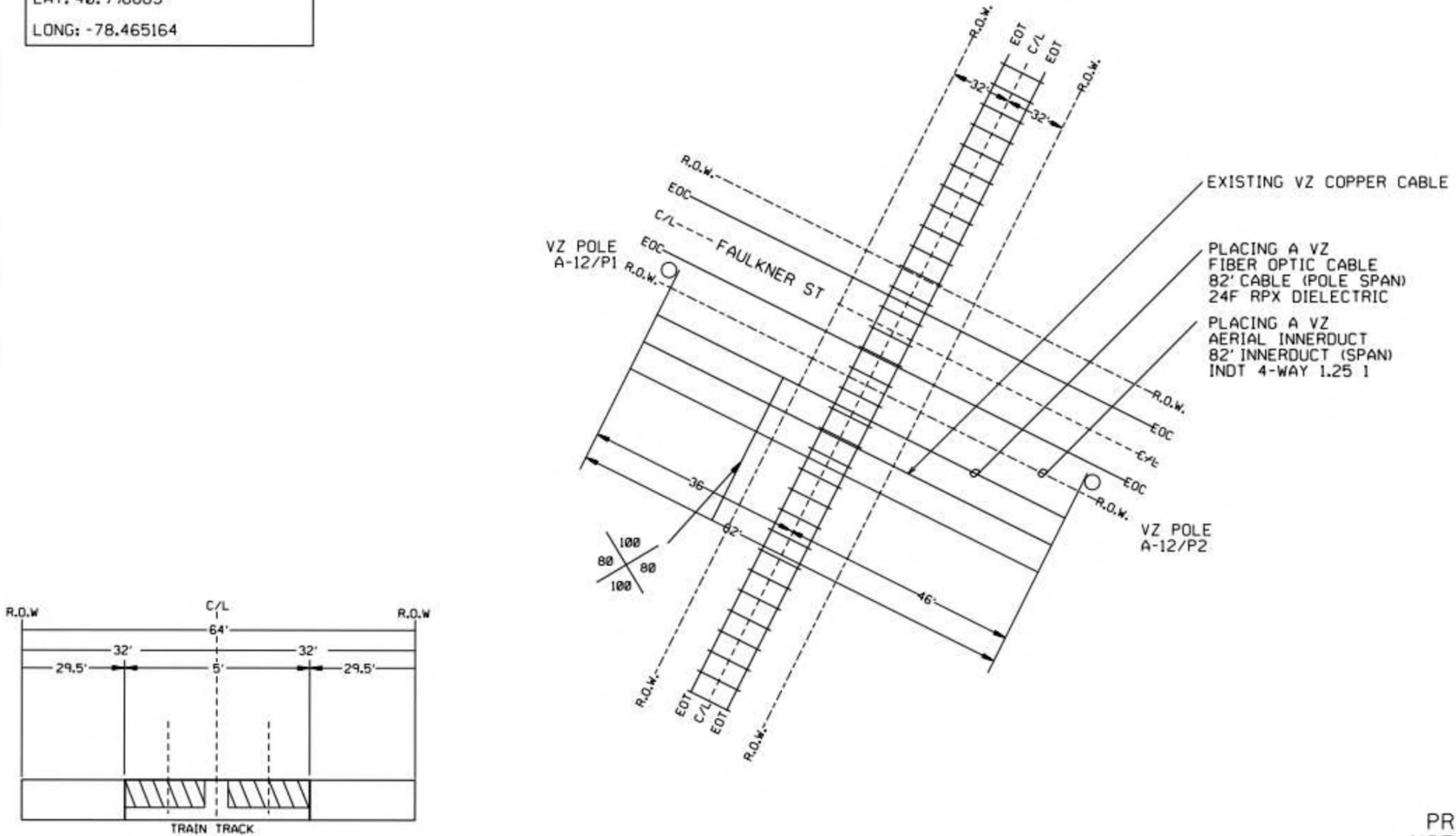
A-2025-3057220

CERTIFIED CORRECT PLANS
Will M. D. P.E.
Professional Engineer
Approved by Bureau of Technical Utility Services
PA PUBLIC UTILITY COMMISSION
ATTEST *Matthew L. Hunsaker*
Secretary

R.J. CORMAN RAILWAY PERMIT
PERMIT SKETCH
1A6HQ3P

METHOD: AERIAL CROSSING
MUNICIPALITY: LAWRENCE TWP
COUNTY: CLEARFIELD
CROSSING NUMBER: 148 706K
LAT: 40.996683
LONG: -78.465164

**FLAGGING
REQUIRED**



PRINT 1 OF 2
NOT TO SCALE

CERTIFIED CORRECT PLANS
Will M. D. P.E.
Professional Engineer
Approved by Bureau of Technical Utility Services
PA PUBLIC UTILITY COMMISSION
ATTEST *Matthew L. Hunsch*
Secretary

