



BEFORE  
PENNSYLVANIA PUBLIC UTILITY COMMISSION

Application Docket No.  
To Be Assigned

**Rail Safety Division Application Type (check all that apply):**

- E-Installation, removal or substitution of warning devices at a public crossing
- G-Construction, alteration, relocation, abolition or suspension of a public crossing
- P-Installation of traffic signals with preemption on the approach to a public crossing
- W-Installation of a fixed utility company's facilities at a public crossing (Pipe & Wire)
- X-Exemption from the Commission's railroad clearance requirement

**For Applications E/G/P/W use caption 1, for X use caption 2 (delete unused caption):**

***In re:***

(1) Application of Southwest Pennsylvania Railroad Company for approval to alter the public crossing (DOT #544 399E) by the installation of active highway warning devices where Bridge Street crosses at grade the track of Southwest Pennsylvania Railroad Company, located in Hempfield Township in Westmoreland county.

To Pennsylvania Public Utility Commission:

1. The name, address, telephone number, and e-mail address of the applicant are:

Southwest Pennsylvania Railroad Company  
 519 Cedar way  
 Bldg1, Suite 100  
 Oakmont, PA 15139  
 justinsparks@carloadexpress.com

2. The name, address, telephone number, and e-mail address of the applicant's attorney are:

Eric M Hocky Clark Hill, PLC  
 Two Commerce Square, 2001 Market Street, Suite 2620,  
 Philadelphia, PA 19103  
 ehocky@clarkhill.com

3. The SWP Railroad Company is the Primary Railroad to operate at Bridge Street DOT#544 399E crossing.

4. The current protection at Bridge Street DOT# 544 399E is passive signage including crossbuck assembly and ENS signs. The SWP Railroad Company would install active warning devices including LED flashing lights with automatic gates. Installation is anticipated to begin May 2026 if approval is obtained. See as Designed plans attached with this application.

5. The parties that may be affected by the proposed alteration are as follows (see attached Certificate of Service):

Bob Kopacz Counsel for Applicant Office of Chief Counsel Pennsylvania Department of Transportation P.O. Box 8212, Harrisburg, PA 17105-8212 rkopacz@pa.gov

Mark Chappell P.E. Chief Right of Way, Utilities & Grade Crossing Division  
Pennsylvania Department of Transportation P.O. Box 3362, Harrisburg, PA 17105-3362 marhappel@pa.gov

Thomas A Ryczek Jr District Grade Crossing Engineer / Turnpike Coordinator  
PA Department of Transportation Engineering District 12-0 825 N Gallatin Ave Ext Uniontown, PA 15401  
tryczek@pa.gov

Vera Spina Westmoreland County Commissioners 101 Courthouse Square 2 N Main Street Greensburg, PA 15601 vspina@westmorelandcountypa.gov

Aaron Siko Hempfield Township 1132 Woodward Drive, Suite A Greensburg, PA 15601 asiko@hempfielddtp.org

Curt Fontaine Operations Manager Municipal Water Authority of Westmoreland County 124 Park and Pool Road  
New Stanton, PA 15672 cfontaine@mawc.org

T


6. [Not a State Route - traffic unknown  
1 train movement in morning 1 train movement in afternoon

7. The estimated cost to install active warning devices is \$160,000. All cost to be paid for by the Southwest Pennsylvania Railroad Company. All maintenance and future repairs to be paid for by the Southwest Pennsylvania Railroad Company.

8. The application is necessary or proper for the following reason(s):

The proposed installation is to improve railroad crossing safety for the public and Railroad employees.

Wherefore, we pray your Honorable Commission to approve the application:



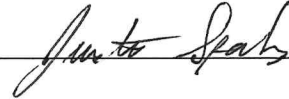
(Signature of Applicant)

**VERIFICATION**

I, **Justin Sparks**, hereby state that the facts above set forth are true and correct (or are true and correct to the best of my knowledge, information and belief) and that I expect to be able to prove the same at a hearing held in this matter. I understand that the statements herein are made subject to the penalties of 18 Pa. C.S. § 4904 (relating to unsworn falsification to authorities).

03-11-2026

Date



(Signature)

## CERTIFICATE OF SERVICE

I hereby certify that I have this day served a true copy of the foregoing document upon the participants, listed below, in accordance with the requirements of § 1.54 (*relating to service by participant*).

Bob Kopacz Counsel for Applicant Office of  
Chief Counsel Pennsylvania Department of  
Transportation P.O. Box 8212, Harrisburg,  
PA 17105-8212 rkopacz@pa.gov

*[List names, addresses and email addresses  
of participants served.*

*Participants shall include the Pennsylvania  
Department of Transportation, the Railroad  
Company, the county and municipality where  
the crossing is located, and any fixed utility  
companies with facilities at the crossing.*

Mark Chappell P.E. Chief Right of Way,  
Utilities & Grade Crossing Division  
Pennsylvania Department of Transportation  
P.O. Box 3362, Harrisburg, PA 17105-3362  
marhappel@pa.gov

***The applicant is responsible to serve all  
parties a copy of its application and  
associated exhibits. The Commission does  
not serve any party on your behalf.]***

Thomas A Ryczek Jr District Grade Crossing  
Engineer / Turnpike Coordinator  
PA Department of Transportation  
Engineering District 12-0 825 N Gallatin Ave  
Ext Uniontown, PA 15401 tryczek@pa.gov

Vera Spina Westmoreland County  
Commissioners 101 Courthouse Square 2 N  
Main Street Greensburg, PA 15601  
vspina@westmorelandcountypa.gov

Aaron Siko Hempfield Township 1132  
Woodward Drive, Suite A Greensburg, PA  
15601 asiko@hempfieldtp.org

Curt Fontaine Operations Manager Municipal  
Water Authority of Westmoreland County 124  
Park and Pool Road New Stanton, PA 15672  
cfontaine@mawc.org

(Continues next page)

## CERTIFICATE OF SERVICE

I hereby certify that I have this day served a true copy of the foregoing document upon the participants, listed below, in accordance with the requirements of § 1.54 (*relating to service by participant*).

*[List names, addresses and email addresses of participants served.]*

*Participants shall include the Pennsylvania Department of Transportation, the Railroad Company, the county and municipality where the crossing is located, and any fixed utility companies with facilities at the crossing.*

***The applicant is responsible to serve all parties a copy of its application and associated exhibits. The Commission does not serve any party on your behalf.]***

*[List names, addresses and email addresses of participants served.]*

*Participants shall include the Pennsylvania Department of Transportation, the Railroad Company, the county and municipality where the crossing is located, and any fixed utility companies with facilities at the crossing.*

***The applicant is responsible to serve all parties a copy of its application and associated exhibits. The Commission does not serve any party on your behalf.]***

Dated this 11  day of March , 20 26

  
\_\_\_\_\_  
(Signature)

Carload Express

# Southwest Pennsylvania Railroad Radebaugh Subdivision Bridge Street Highway Crossing Book of Plans Hunker, PA

Revisions

As Designed

Carload Express, Inc.  
519 Cedar Way  
Bldg. 1, Suite 100  
Oakmont, PA 15139

Southwest Pennsylvania Railroad  
Communication and Signal Department

Bridge Street  
Cover

DOT #544399E MP. R 8.77

Radebaugh Subdivision

Designed: JIS

Drawn: JIS

Approved: JIS

Sheet 1 of 14

Drawing No 101

Drawing No.	Revision	Description
101	0	Cover Page
102	0	Index
103	0	Track and Cable Plan
104	0	Control Circuits
105	0	Program Info
106	0	Flasher Circuit
107	0	MDA Circuit
108	0	Gate Circuits
109	0	Power and Lighting Circuit
110	0	Camera IT
111	0	House Layout 'A'
112	0	House Layout 'B'
113	0	House Layout 'C'
114	0	House Layout 'D'

Revisions

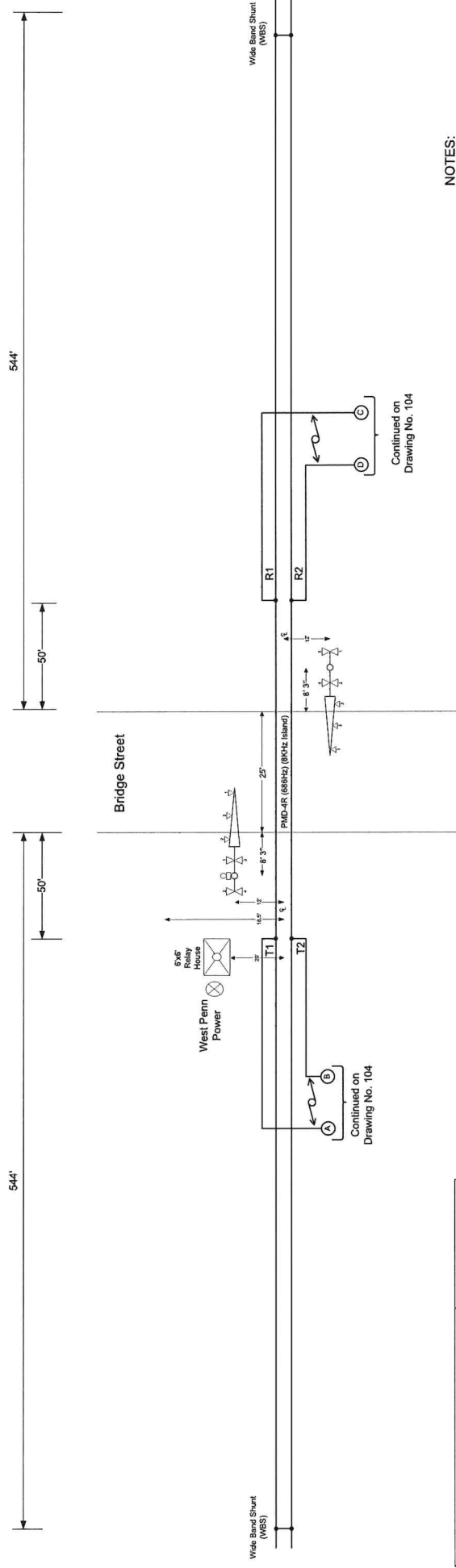
**As Designed**

Carload Express, Inc.  
 519 Cedar Way  
 Bldg. 1, Suite 100  
 Oakmont, PA 15139

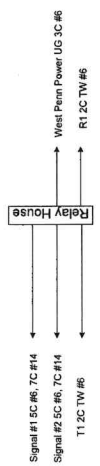
Southwest Pennsylvania Railroad Communication and Signal Department	
Bridge Street Index DOT #544399E MP. R 8.77	
Radelbaugh Subdivision	
Designed: JIS	Sheet 2 of 14
Drawn: JIS	
Approved: JIS	Drawing No 102

← To  
Greensburg  
RAILROAD  
NORTH

To →  
Tarrs



- NOTES:
1. Material and installation to be in accordance with MUTCD and Southwest PA Railroad standards.
  2. All dimensions are approximate and may vary due to actual field conditions.
  3. NO SCALE



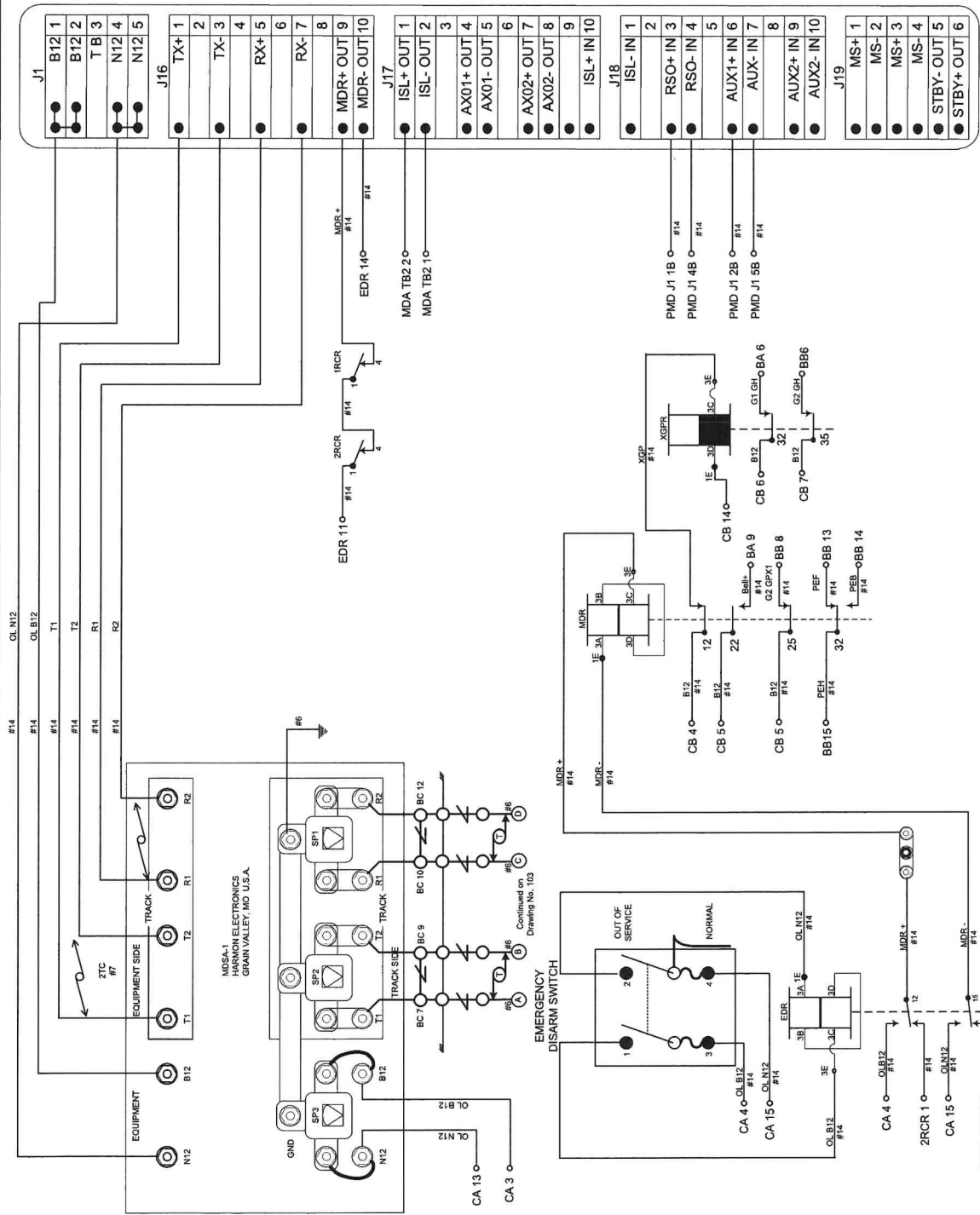
	TRACK #1
Minimum Track Clearance Distance	<35'
Maximum Authorized Train speed	10 MPH
Minimum Time (MT)	30
Clearance Time (CT)	0
Exit Gate Clearance Time (EGCT)	0
Prescribed Warning Time (PWT)	30
Buffer Time (BT)	0
ERT - Control (ERT-C)	3
ERT - Delay (ERT-D)	0
Programmed Warning Time	33
Advance Preemption Time (APT)	0
ERT - Acquisition (ERT-A)	4
System Design Time (SDT)	37

Southwest Pennsylvania Railroad Communication and Signal Department
Bridge Street Track and Cable Plan DOT #544399E MP. R 8.77
Redebaugh Subdivision
Designed: JIS
Drawn: JIS
Approved: JIS
Sheet 3 of 14
Drawing No 103

Carlond Express, Inc.  
519 Cedar Way  
Bldg. 1, Suite 100  
Oakmont, PA 15139

# As Designed

Revisions



Notes:   
 ↗ DENOTES TWISTED PAIR   
 ○ DENOTES GOLD TEST TERMINAL   
 ALL WIRES #10 UNLESS OTHERWISE NOTED

Southwest Pennsylvania Railroad  
 Communication and Signal Department  
 Bridge Street  
 Control Circuits  
 DOT #544899E MP. R 8.77  
 Radclough Subdivision

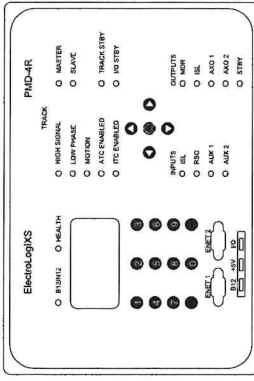
Carload Express, Inc.  
 519 Cedar Way  
 Bldg. 1, Suite 100  
 Oakmont, PA 15139

Designed: JIS  
 Drawn: JIS  
 Approved: JIS

Sheet 4 of 14  
 Drawing No 104

Revisions

# As Designed



**PROGRAM INFORMATION**  
PMD-4R

Equipment Name		Track 1
APPLICATION INFO		PMD-4R_MIG(CM)/Y
APPLICATOR		3
CHASSIS ID		
<b>MDR1</b>		
WARNING TIME		ADJ(60 SEC)
CONSTANT WARNING/MOTION DETECT MODE		MG
ADVANCE PREEMPTION TIME		NOT USED
AUX RECOVERY TIME		5 SEC
<b>APPROACH SETTINGS</b>		
APPROACH FREQUENCY		665 Hz
MASTER/SLAVE OPERATION		MASTER
TRANSMITTER GAIN		
TRANSMITTER CHECK ADJUSTMENT		11
TCA = TC1 - 5		
TRANSMITTER CHECK IMPEDANCE		
APPROACH TRACK DIRECTION MODE		BI
BI / UII		
LUMPED IMPEDANCE ADJUSTMENT		*
TRACK ISLAND ASSIGN		ISL_ASSIGN
APPROACH LENGTH		495
AUTO FX ENABLE/DISABLE		ENABLE
<b>ADVANCED APPROACH SETTINGS</b>		
MD TIMER ENABLE		DISABLE
MD TIMER DELAY		10 MIN
FALSE SHUNT ENABLE		DISABLE
FALSE SHUNT FX		UA
FALSE SHUNT DELAY		NA
APPROACH RELEASE ENABLE		DISABLE
APPROACH RELEASE FX		NA
APPROACH RELEASE DELAY		UA
LOS TIME		15 SEC
APPROACH SETTING		INTERNAL
<b>APPROACH MAINTENANCE</b>		
APPROACH TRACK		ENABLED
APPROACH ENABLE TIMEOUT		2 HR
BALLAST COMPENSATION		145
<b>PHASE COMPENSATION</b>		
<b>ISLAND SETTINGS</b>		
ISLAND TYPE		INTERNAL
ISLAND ENABLED		ENABLED
ISLAND DISABLE TIMEOUT		2 HR
ISLAND FREQUENCY		8 kHz
LOS COUNT		2 SEC
FAULT DELAY		2 SEC

NASS MICRO DATE ANALYZER

TBD	TBD

CAMERAS

TBD	TBD

Notes: DENOTES TWISTED PAIR  
 DENOTES GOLD TEST TERMINAL  
 ALL WIRE #10 UNLESS OTHERWISE NOTED

Revisions

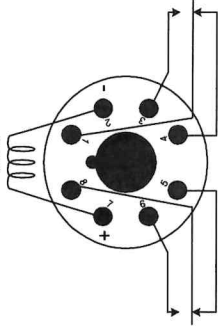
**As Designed**

Carlford Express, Inc.  
519 Cedar Way  
Bldg 1, Suite 100  
Oakmont, PA 15139

Southwest Pennsylvania Railroad Communication and Signal Department
Bridge Street Program Info DOT #544399E MP. R 8.77
Radebaugh Subdivision
Designed: JIS
Drawn: JIS
Approved: JIS
Sheet 5 of 14
Drawing No 105



DAYTON  
12 VDC  
1A488M



ALL WIRE THIS SHEET IS #14 UNLESS OTHERWISE NOTED

↖ DENOTES TWISTED PAIR

○ DENOTES GOLD TEST TERMINAL

Southwest Pennsylvania Railroad  
Communication and Signal Department

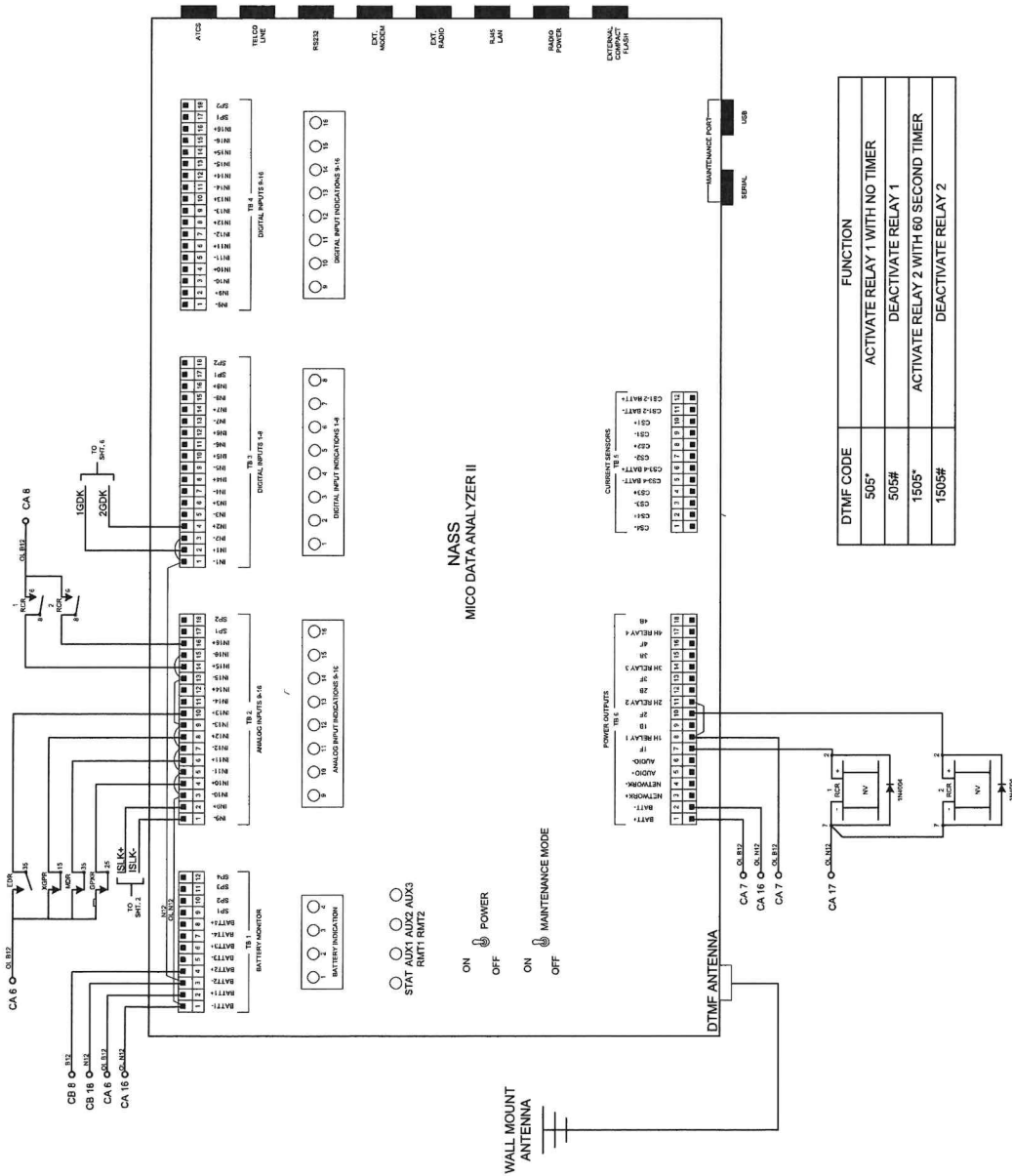
Bridge Street  
MDA Circuit  
DOT #544399E MP. R 8.77

Radebaugh Subdivision

Designed: JIS  
Drawn: JIS  
Approved: JIS

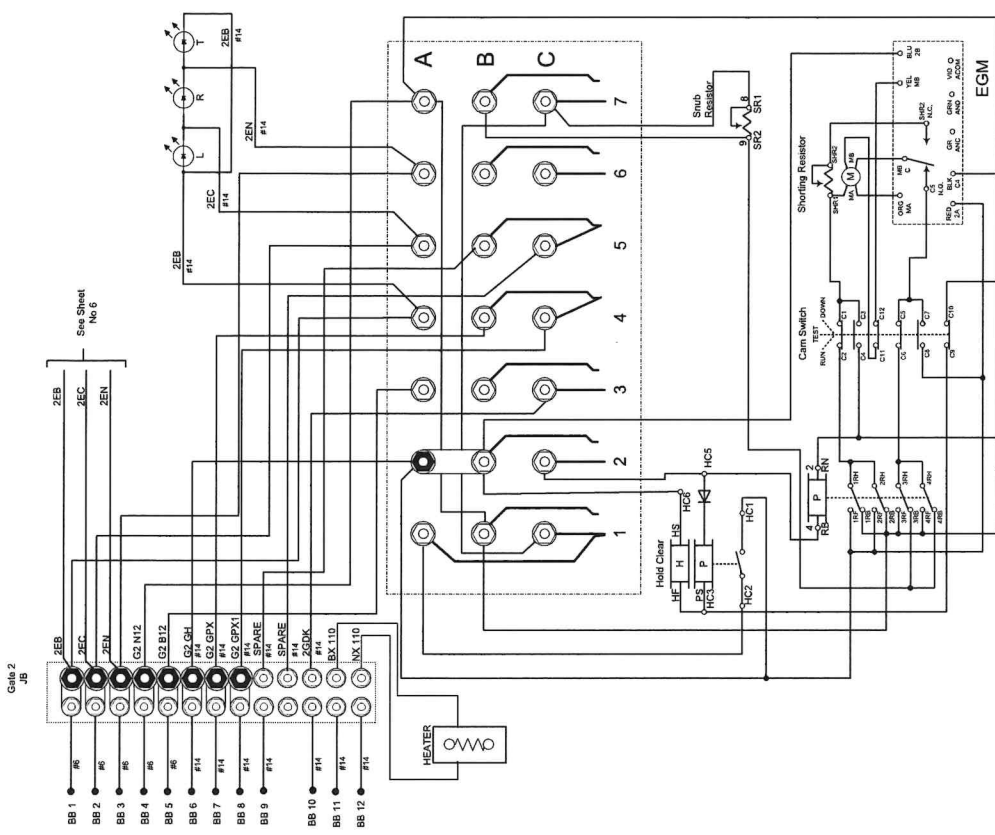
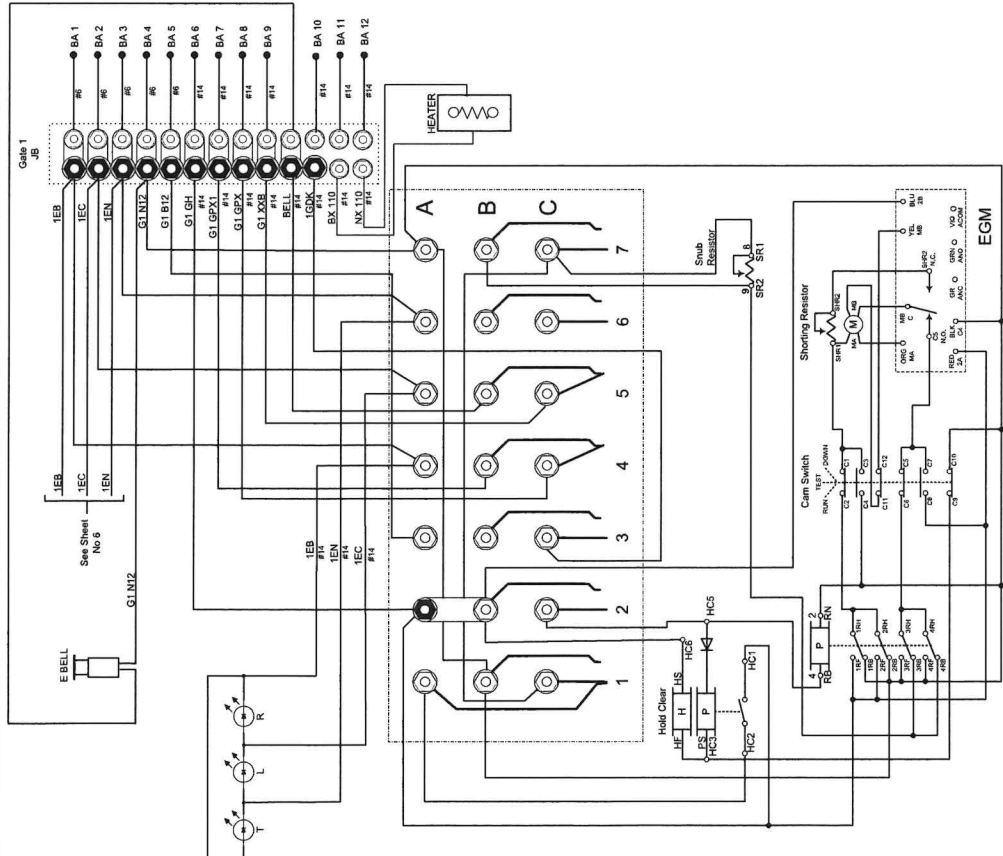
Sheet 7 of 14  
Drawing No 107

Carlload Express, Inc.  
519 Cedar Way  
Bldg. 1, Suite 100  
Oakmont, PA 15139



Revisions

# As Designed



Contact	Closed	Function	Tension
1B	75-90 Degrees	Power Down	18-22 OZ.
2	0-70 Degrees	Snub Down	18-22 OZ.
3	0-86 Degrees	Power Up	18-28 OZ.
4	0-10 Degrees	Gate Down	16-24 OZ.
5	82-90 Degrees	Gate Clear	16-24 OZ.
6	10-90 Degrees	Bell	16-24 OZ.
7	Spare	Spare	16-24 OZ.
		Snub	16-24 OZ.

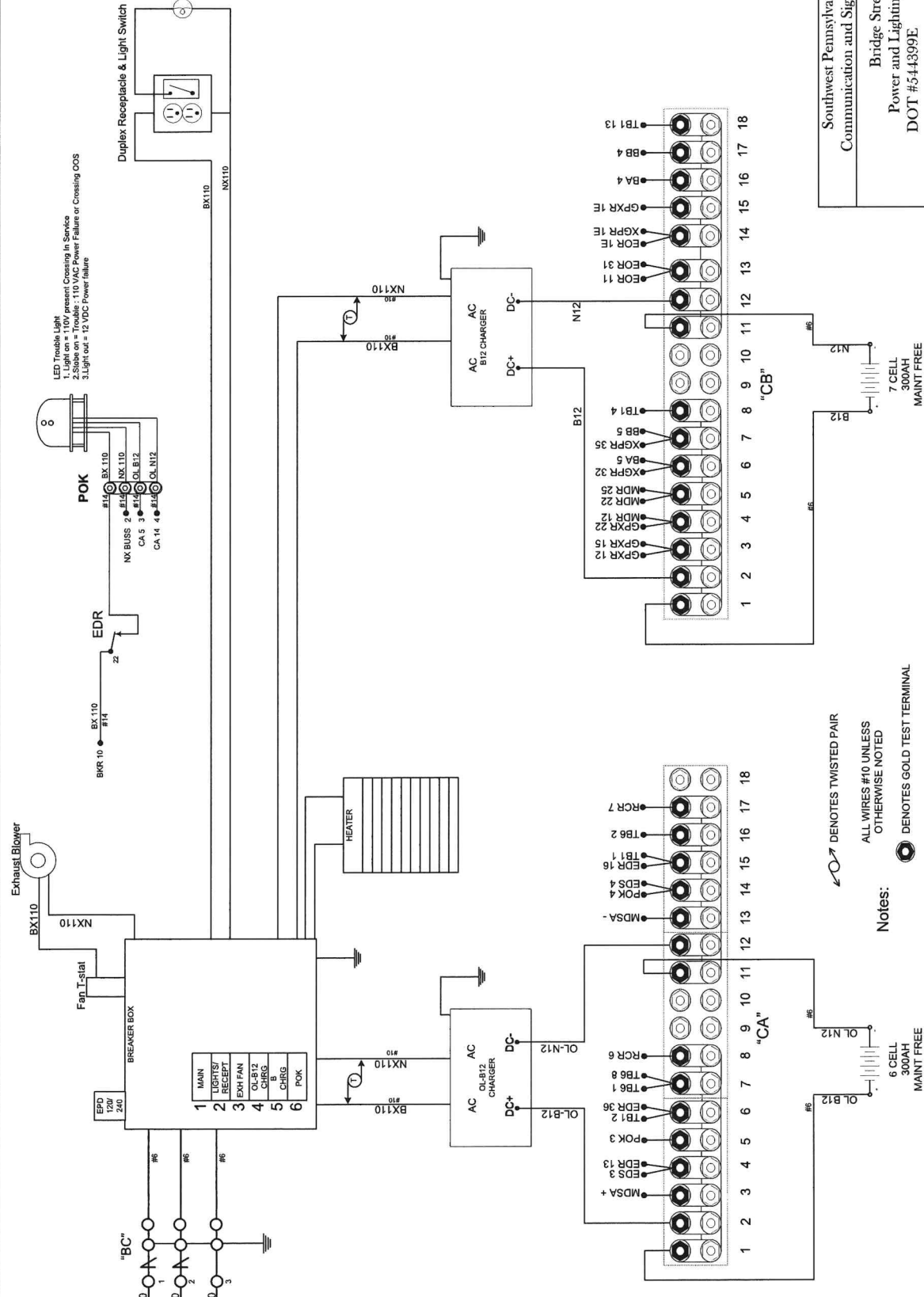
DENOTES GOLD TEST TERMINAL  
 ALL WIRES #10 UNLESS OTHERWISE NOTED

Southwest Pennsylvania Railroad  
 Communication and Signal Department  
 Bridge Street  
 Gate Circuit  
 DOT #544399E MP. R 8.77  
 Redebaugh Subdivision

Carlwood Express, Inc.  
 519 Cedar Way  
 Bldg. 1, Suite 100  
 Oakmont, PA 15139

Revisions  
 Designed: JIS  
 Drawn: JIS  
 Approved: JIS

# As Designed



LED Trouble Light  
 1. Present Crossing In Service  
 2. Stop on = Trouble : 110 VAC Power Failure or Crossing OOS  
 3. Light out = 12 VDC Power failure

**POK**  
 #14 BX 110  
 #13 BX 110  
 #12 BX 110  
 #11 BX 110  
 #10 BX 110  
 #9 BX 110  
 #8 BX 110  
 #7 BX 110  
 #6 BX 110  
 #5 BX 110  
 #4 BX 110  
 #3 BX 110  
 #2 BX 110  
 #1 BX 110

**Notes:**  
 ↗ DENOTES TWISTED PAIR  
 ○ ALL WIRES #10 UNLESS OTHERWISE NOTED  
 ● DENOTES GOLD TEST TERMINAL

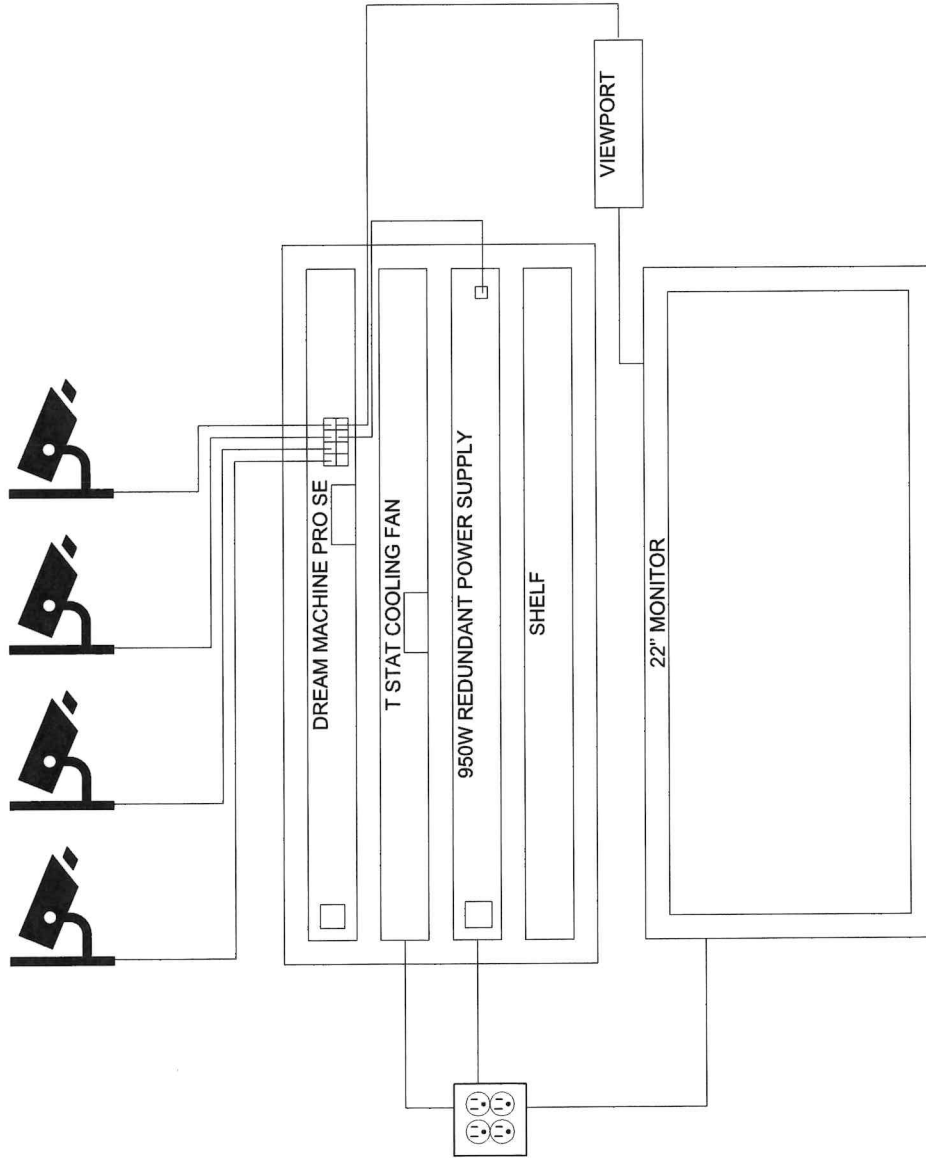
Southwest Pennsylvania Railroad  
 Communication and Signal Department  
 Bridge Street  
 Power and Lighting Circuits  
 DOT #544399E MP. R 8.77

Radelbaugh Subdivision  
 Designed: JIS  
 Drawn: JIS  
 Approved: JIS

Cardoat Express, Inc.  
 519 Cedar Way  
 Bldg. 1, Suite 100  
 Oakmont, PA 15139

Revisions

# As Designed



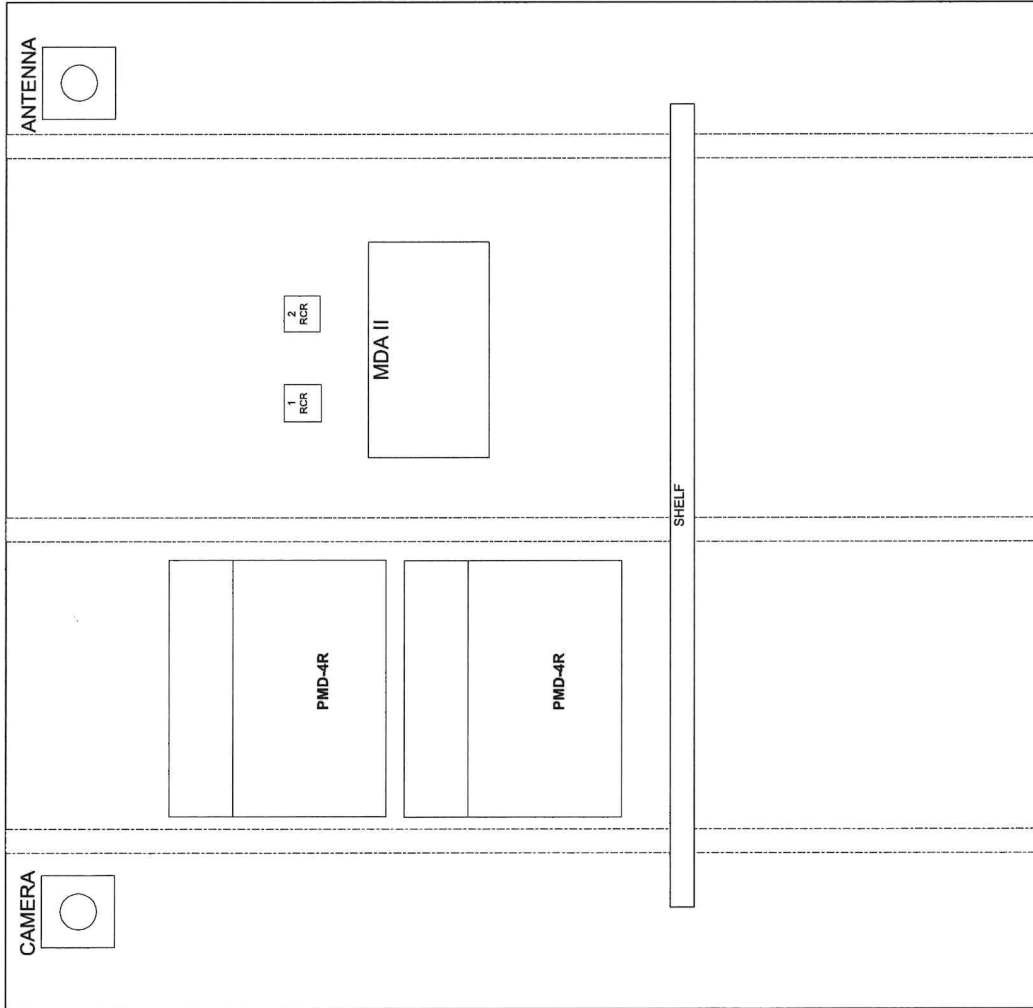
Carload Express, Inc.  
 519 Cedar Way  
 Bldg. 1, Suite 100  
 Oakmont, PA 15110

# As Designed

Revisions

Southwest Pennsylvania Railroad Communication and Signal Department	
Bridge Street Camera IT DOT #544399E MP. R 8.77	
Rothbaugh Subdivision	
Designed: JIS	Sheet 10 of 14
Drawn: JIS	Drawing No 110
Approved: JIS	

'A'



Southwest Pennsylvania Railroad  
Communication and Signal Department

Bridge Street  
House Layout 'A'  
DOT #544399E MP. R 8.77

Rendelhaugh Subdivision

Designed: JIS  
Drawn: JIS  
Approved: JIS

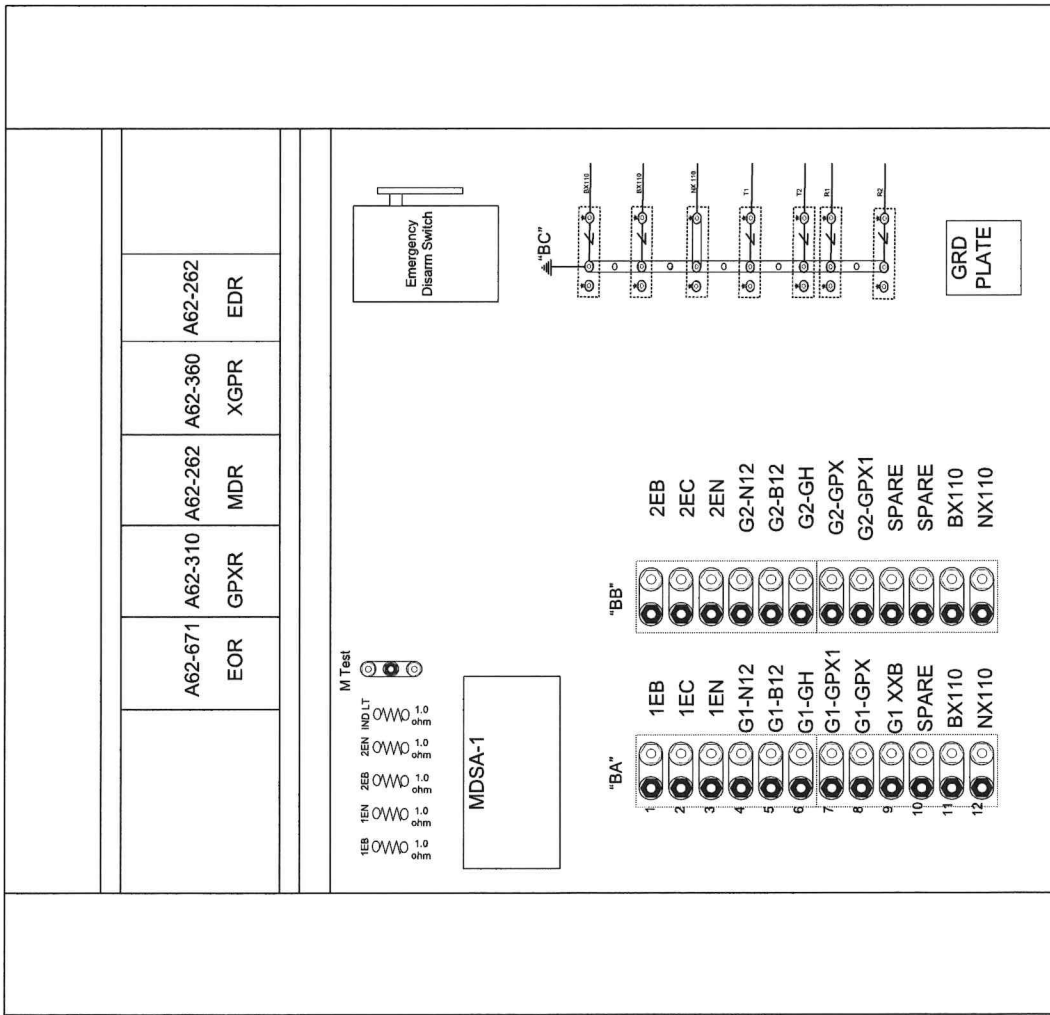
Sheet 11 of 14  
Drawing No 111

Carload Express, Inc.  
519 Cedar Way  
Bldg. 1, Suite 100  
Oakmont, PA 15139

As Designed

Revisions

# B



Carlload Express, Inc.  
519 Cedar Way  
Bldg. I, Suite 100  
Oakmont, PA 15139

Revisions

Southwest Pennsylvania Railroad  
Communication and Signal Department

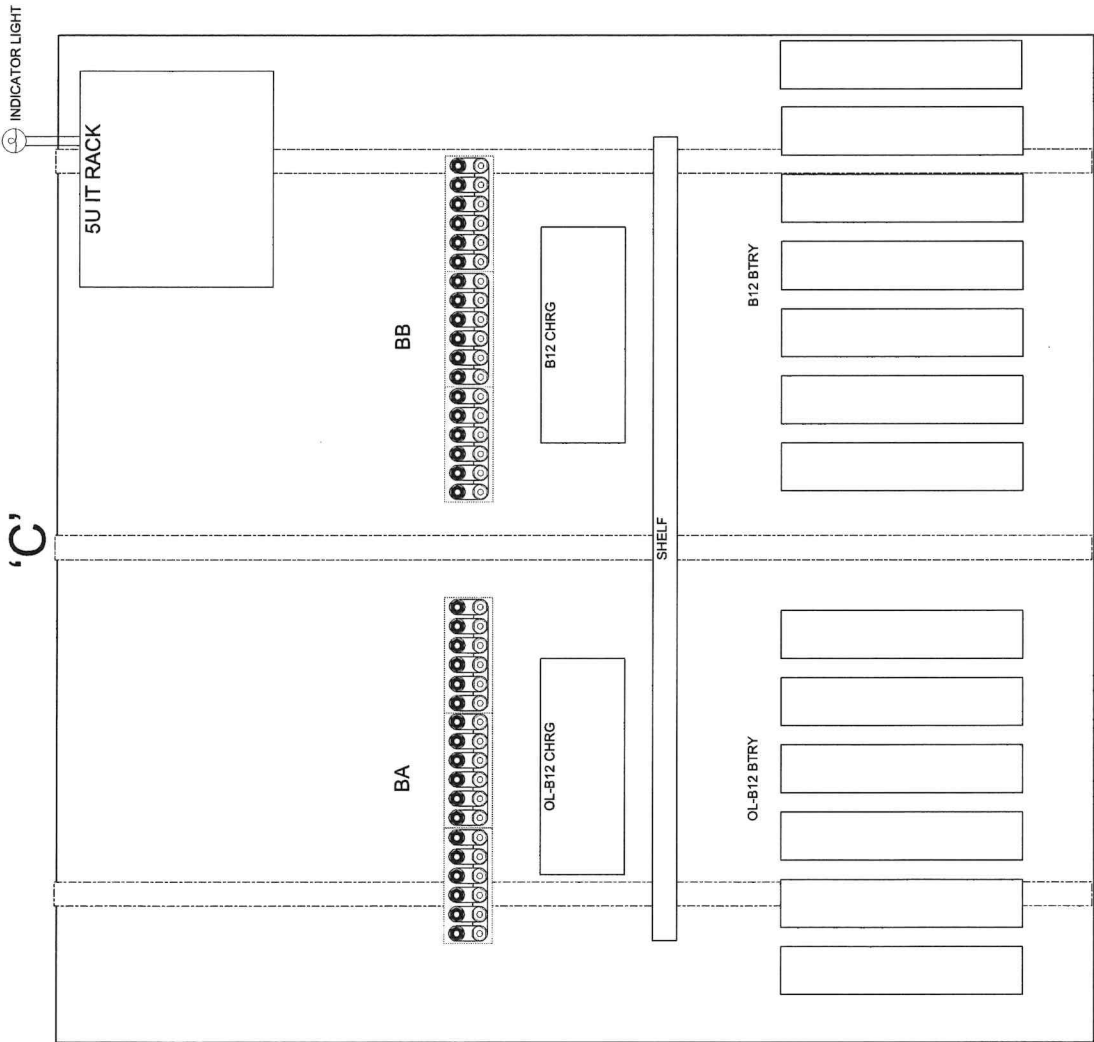
Bridge Street  
House Layout 'B'  
DOT #544399E MP. R 8.77

Radebaugh Subdivision

Designed: JIS  
Drawn: JIS  
Approved: JIS

Sheet 12 of 14  
Drawing No 112

# As Designed



'C'

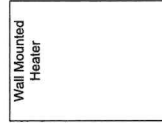
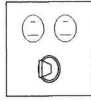
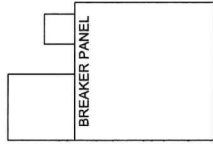
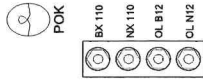
Revisions

As Designed

Carload Express, Inc.  
519 Cedar Way  
Bldg. I, Suite 100  
Oakmont, PA 15139

Southwest Pennsylvania Railroad Communication and Signal Department	
Bridge Street House Layout 'C' DOT #544399E MP. R 8.77	
Radebaugh Subdivision	
Designed: JIS	Sheet 13 of 14
Drawn: JIS	Drawing No 113
Approved: JIS	

'D'



Revisions

Carlload Express, Inc.  
519 Cedar Way  
Bldg 1, Suite 100  
Oakmont, PA 15139

As Designed

Designed: JIS  
Drawn: JIS  
Approved: JIS

Radebaugh Subdivision  
DOT #544399E MP. R 8.77

Southwest Pennsylvania Railroad  
Communication and Signal Department

Bridge Street  
House Layout 'D'