



BEFORE
PENNSYLVANIA PUBLIC UTILITY COMMISSION

Rail Safety Division Application Type (check all that apply):

- E-Installation, removal or substitution of warning devices at a public crossing
- G-Construction, alteration, relocation, abolition or suspension of a public crossing
- P-Installation of traffic signals with preemption on the approach to a public crossing
- W-Installation of a fixed utility company's facilities at a public crossing (Pipe & Wire)
- X-Exemption from the Commission's railroad clearance requirement

Application Docket No.
To Be Assigned

For Applications E/G/P/W use caption 1, for X use caption 2 (delete unused caption):

In re:

(1) Application of Allegheny Valley Railroad Company for approval to alter the public crossing (DOT #145 523G) by the upgrading of active warning devices to include automatic gates where Streets Run Road crosses at grade the track of Allegheny Valley Railroad Company, located in West Mifflin Boro in Allegheny county.

To Pennsylvania Public Utility Commission:

1. The name, address, telephone number, and e-mail address of the applicant are:

Allegheny Valley Railroad Company
519 Cedar way
Bldg1, Suite 100
Oakmont, PA 15139
justinsparks@carloadexpress.com

2. The name, address, telephone number, and e-mail address of the applicant's attorney are:

Eric M Hocky Clark Hill, PLC
Two Commerce Square, 2001 Market Street, Suite 2620,
Philadelphia, PA 19103
ehocky@clarkhill.com

3. The Allegheny Valley Railroad Company would like to upgrade active highway crossing protection to include automatic gates, 12" LED flashing lights, and audible bell.

4. The proposed upgrade will comprise of replacing all underground cables, 5" mast with foundations, and relay signal house. The Streets Run Road at grade crossing (DOT# 145 523G) sits at a skew and has poor site distance due to the terrain. Construction of this upgrade is anticipated to begin in September of 2026 if approval is obtained. See As Designed plans attached with this application.

5. The parties that may be affected by the proposed alteration are as follows (see attached Certificate of Service):

Bob Kopacz Counsel for Applicant Office of Chief Counsel Pennsylvania Department of Transportation P.O. Box 8212, Harrisburg, PA 17105-8212 rkopacz@pa.gov

Mark Chappell P.E. Chief Right of Way, Utilities & Grade Crossing Division
Pennsylvania Department of Transportation P.O. Box 3362, Harrisburg, PA 17105-3362
marchappel@pa.gov

Michael Grace, PA Department of Transportation District 11 Utilities Unit, 45 Thomas Run Rd
Bridgeville, PA 15017 micgrace@pa.gov

Allegheny County Commissioners Sara Innamorato Allegheny County Executive 101 County
Court House 436 Grant Street Pittsburgh, PA 15219 web.comm@alleghenycounty.us

West Mifflin Township Borough Chris Kelly Mayor - West Mifflin Borough 1020 Lebanon
Road West Mifflin, PA 15122 CKelly@WestMifflin.gov

Gary Stetar General Manager West Mifflin Sanitary SWR & Stormwater Authority. 1302 Lower
Bull Run Rd West Mifflin, PA 15122 garys@wmssmaauthority.org

6. Streets Run Road DOT# 145 523G West Mifflin - SR 2046 seg 60 - AADT 8,631
Percentage of Trucks 3%
2 train movements per day

7. The estimated cost to perform this project is \$50,000

8. The application is necessary or proper for the following reason(s):

The Allegheny Valley Railroad will pay all cost for the upgrade and continue to maintain the active warning devices.

Wherefore, we pray your Honorable Commission to approve the application:




(Signature of Applicant)

VERIFICATION

I, **Justin Sparks**, hereby state that the facts above set forth are true and correct (or are true and correct to the best of my knowledge, information and belief) and that I expect to be able to prove the same at a hearing held in this matter. I understand that the statements herein are made subject to the penalties of 18 Pa. C.S. § 4904 (relating to unsworn falsification to authorities).

03-16-2026

Date



(Signature)

CERTIFICATE OF SERVICE

I hereby certify that I have this day served a true copy of the foregoing document upon the participants, listed below, in accordance with the requirements of § 1.54 (*relating to service by participant*).

Bob Kopacz Counsel for Applicant Office of
Chief Counsel Pennsylvania Department of
Transportation P.O. Box 8212, Harrisburg,
PA 17105-8212 rkopacz@pa.gov

Mark Chappell P.E. Chief Right of Way,
Utilities & Grade Crossing Division
Pennsylvania Department of Transportation
P.O. Box 3362, Harrisburg, PA 17105-3362
marchappel@pa.gov

Michael Grace, PA Department of
Transportation District 11 Utilities Unit, 45
Thomas Run Rd Bridgeville, PA 15017
micgrace@pa.gov

Allegheny County Commissioners Sara
Innamorato Allegheny County Executive 101
County Court House 436 Grant Street
Pittsburgh, PA 15219
web.comm@alleghenycounty.us

West Mifflin Township Borough Chris Kelly
Mayor - West Mifflin Borough 1020 Lebanon
Road West Mifflin, PA 15122
CKelly@WestMifflin.gov

Gary Stetar General Manager West Mifflin
Sanitary SWR & Stormwater Authority. 1302
Lower Bull Run Rd West Mifflin, PA 15122
garys@wmssmaauthority.org

[List names, addresses and email addresses
of participants served.]

Participants shall include the Pennsylvania
Department of Transportation, the Railroad
Company, the county and municipality where
the crossing is located, and any fixed utility
companies with facilities at the crossing.
The applicant is responsible to serve all
parties a copy of its application and
associated exhibits. The Commission does
not serve any party on your behalf.]

(Continues next page)

CERTIFICATE OF SERVICE

I hereby certify that I have this day served a true copy of the foregoing document upon the participants, listed below, in accordance with the requirements of § 1.54 (*relating to service by participant*).

[List names, addresses and email addresses of participants served.]

Participants shall include the Pennsylvania Department of Transportation, the Railroad Company, the county and municipality where the crossing is located, and any fixed utility companies with facilities at the crossing.


The applicant is responsible to serve all parties a copy of its application and associated exhibits. The Commission does not serve any party on your behalf.]

[List names, addresses and email addresses of participants served.]

Participants shall include the Pennsylvania Department of Transportation, the Railroad Company, the county and municipality where the crossing is located, and any fixed utility companies with facilities at the crossing.

The applicant is responsible to serve all parties a copy of its application and associated exhibits. The Commission does not serve any party on your behalf.]

Dated this 11 day of March , 20 26



(Signature)

Carload Express

**Allegheny Valley Railroad
W&P Subdivision
Streets Run Road Highway Crossing
Book of Plans
Baldwin, PA**

Revisions

AS DESIGNED

Carload Express, Inc.
519 Cedar Way
Bldg. L, Suite 100
Oakmont, PA 15139

Allegheny Valley Railroad Communication and Signal Department	
Streets Run Road Cover DOT #145523G MP. W 8.42	
W&P Subdivision	
Designed: JS	Sheet 1 of 11
Drawn: JS	
Approved: JS	Drawing No C001

Revisions

AS DESIGNED

Carload Express, Inc.
519 Cedar Way
Bldg. 1, Suite 100
Oakmont, PA 15139

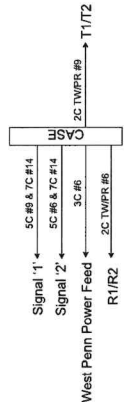
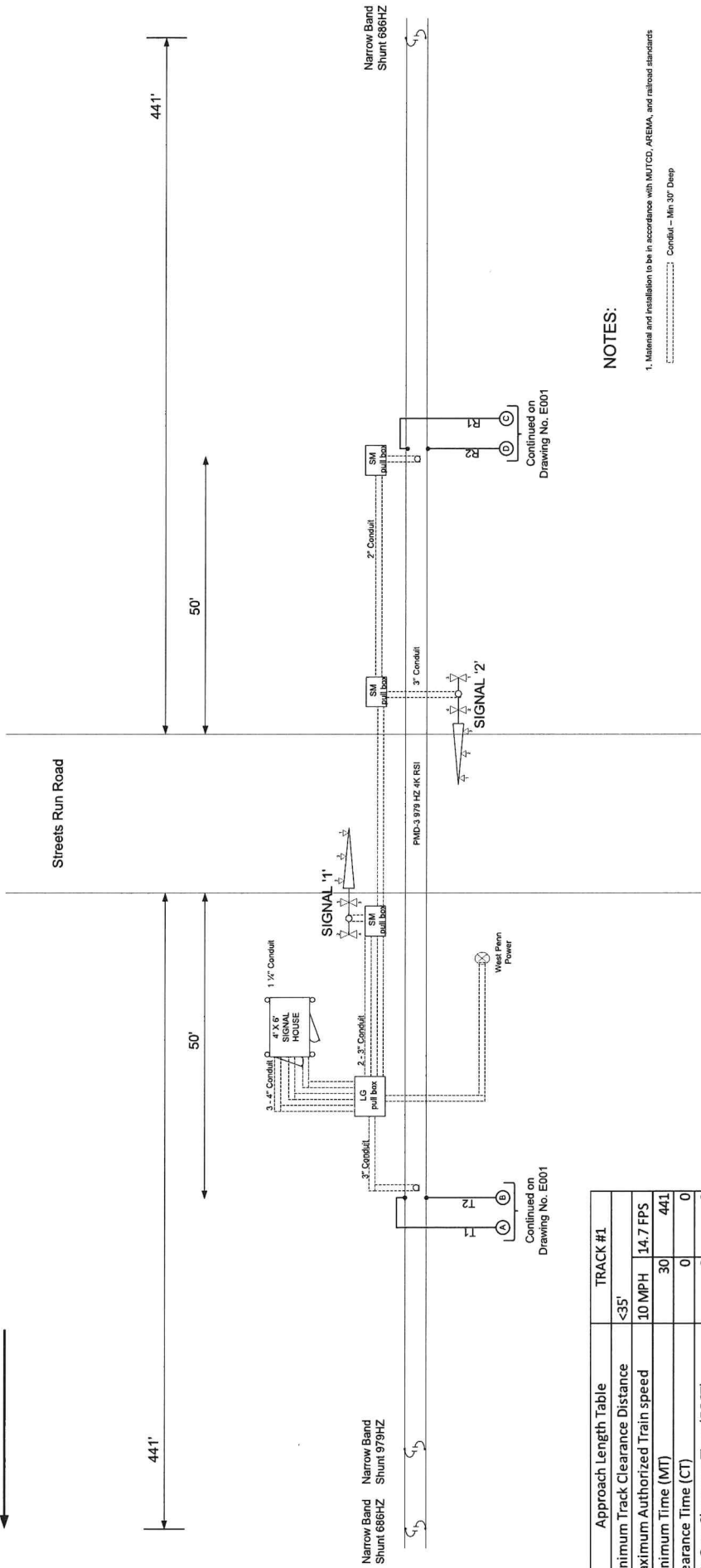
Designed: JIS
Drawn: JIS
Approved: JIS

W&P Subdivision
Sheet 2 of 11
Drawing No I001

Allegheeny Valley Railroad
Communication and Signal Department
Streets Run Road
Index
DOT #145523G MP. W 8.42

Drawing No.	Revision	Description
C001	0	Cover Page
I001	0	Index
T001	0	Track and Cable Plan
M001	0	Control Circuits
E002	0	Flasher Circuits
G001	0	Gate Circuit
P001	0	Power and Lighting Circuits
W001	0	Case Layout 'A'
W002	0	Case Layout 'B'
W003	0	Case Layout 'C'
W004	0	Case Layout 'D'

Railroad East



NOTES:

- 1. Material and installation to be in accordance with MUTCD, AREMA, and railroad standards
- Conduit - Min. 30" Deep

Approach Length Table	TRACK #1
Minimum Track Clearance Distance	<35'
Maximum Authorized Train speed	10 MPH 14.7 FPS
Minimum Time (MT)	30 441
Clearance Time (CT)	0 0
Exit Gate Clearance Time (EGCT)	0 0
Prescribed Warning Time (PWT)	30 441
Buffer Time (BT)	0 0
ERT - Control (ERT-C)	3 44.1
ERT - Delay (ERT-D)	0 0
Programmed Warning Time	33 485.1
Advance Preemption Time (APT)	0 0
ERT - Acquisition (ERT-A)	4 58.8
System Design Time (SDT)	37 543.9

Revisions

AS DESIGNED

Carlwood Express, Inc.
519 Cedar Way
Bldg. 1, Suite 100
Oakmont, PA 15139

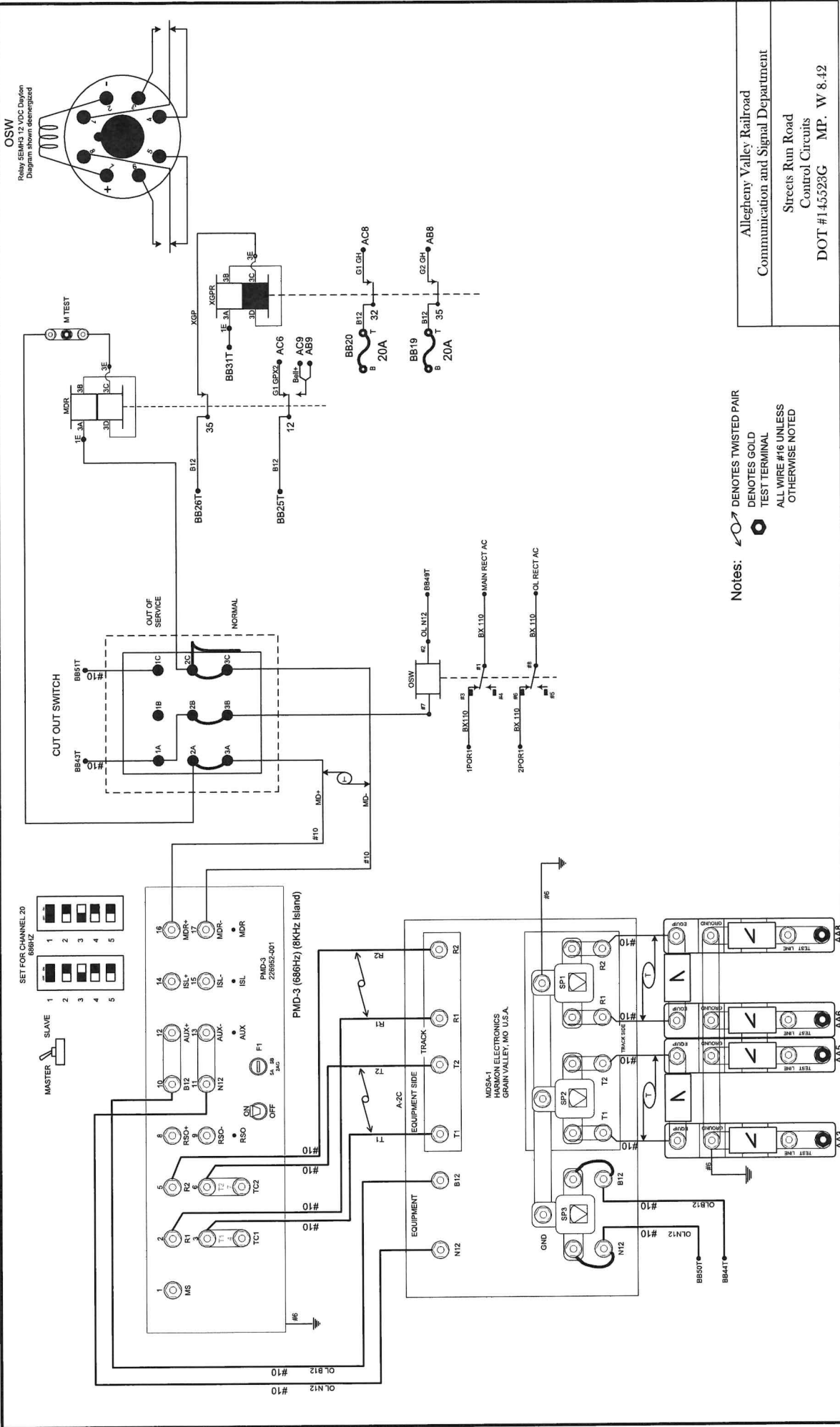
Allegheny Valley Railroad Communication and Signal Department	
Streets Run Road Track and Cable Plan DOT #145523G MP. W 8.42	
W&P Subdivision	
Designed: JJS	Sheet 3 of 11
Drawn: JJS	Drawing No T001
Approved: JJS	

Narrow Band Shunt 686HZ

Narrow Band Shunt 979HZ

Continued on Drawing No. E001

Continued on Drawing No. E001



Notes: DENOTES TWISTED PAIR
 DENOTES GOLD TEST TERMINAL
 ALL WIRE #/E UNLESS OTHERWISE NOTED

Carlload Express, Inc.
 519 Cedar Way
 Bldg. 1, Suite 100
 Oskmont, PA 15139

Alleghe Valley Railroad
 Communication and Signal Department
 Streets Run Road
 Control Circuits
 DOT #145523G MP. W 8.42
 W&P Subdivision

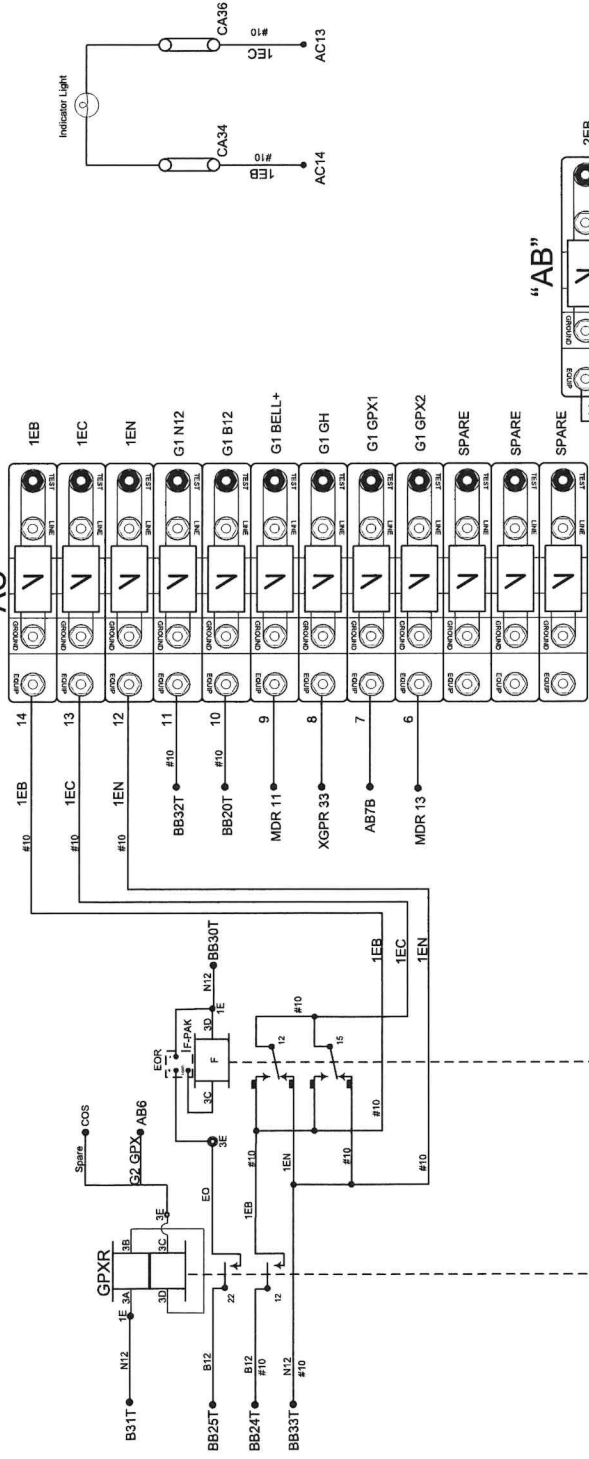
Designed: JIS
 Drawn: JIS
 Approved: JIS

Sheet 4 of 11
 Drawing No M001

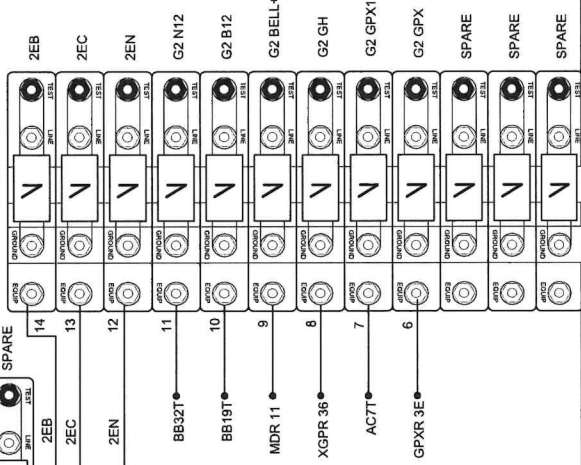
Revisions

AS DESIGNED

"AC"



"AB"



ALL WIRE #16 UNLESS OTHERWISE NOTED

Allegheny Valley Railroad
 Streets Run Road
 Flasher Circuits
 DOT #145293G MP. W 8.42

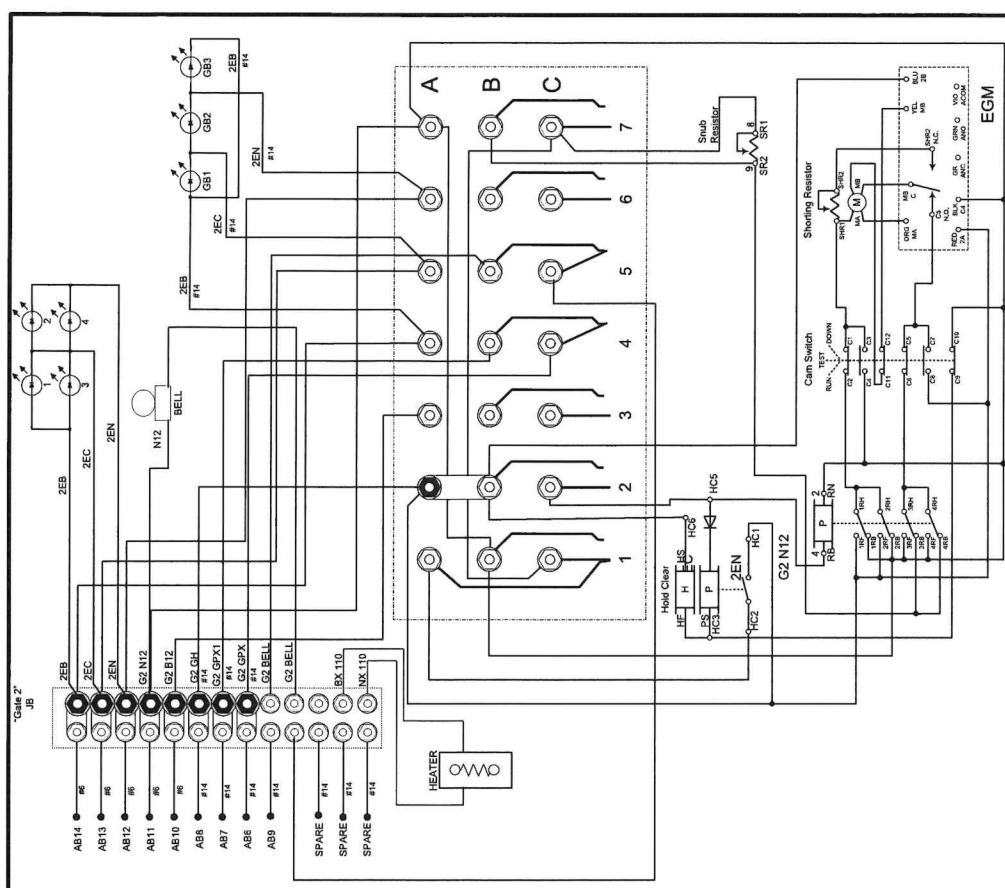
W&P Subdivision

Designed: JIS
 Drawn: JIS
 Approved: JIS

Cardinal Express, Inc.
 519 Cedar Way
 Bldg. 1, Suite 100
 Oakmont, PA 15139

AS DESIGNED

Revisions

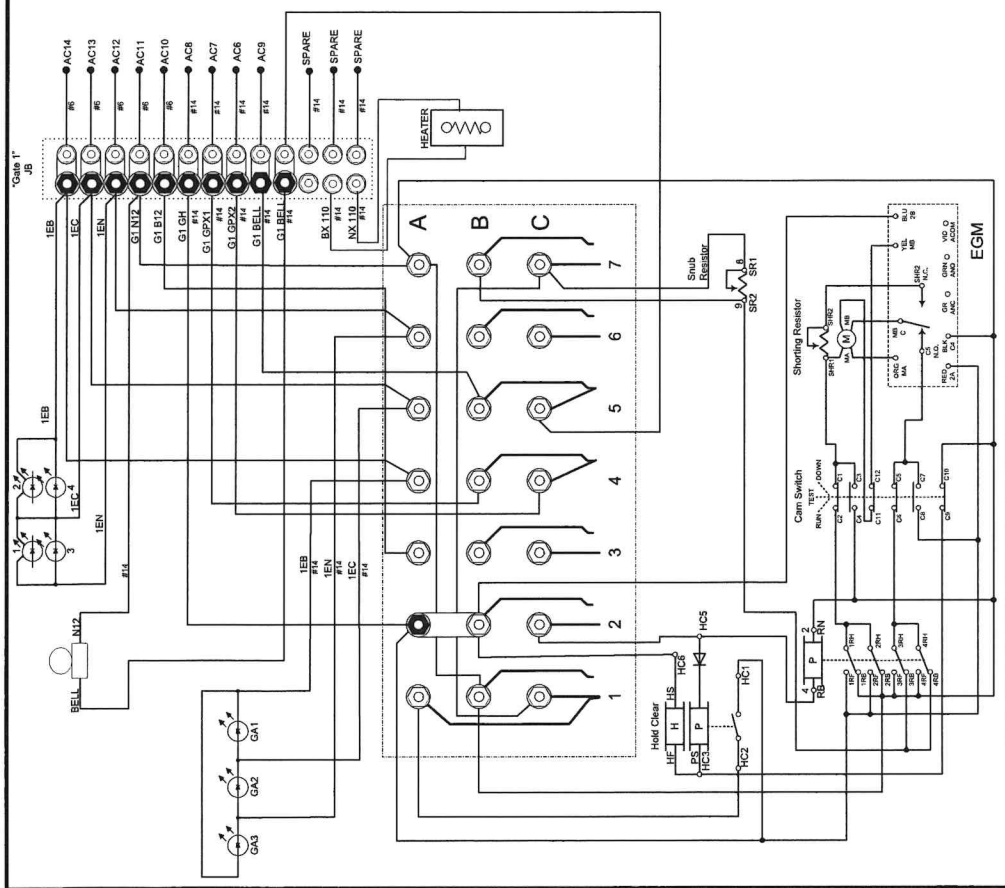


ALL WIRE #16 UNLESS OTHERWISE NOTED
 DENOTES GOLD
 TEST TERMINAL

Allegheny Valley Railroad
 Communication and Signal Department
 Streets Run Road
 Gate Circuits
 DOT #145529G MP. W 8.42

W&P Subdivision
 Designed: JIS
 Drawn: JIS
 Approved: JIS

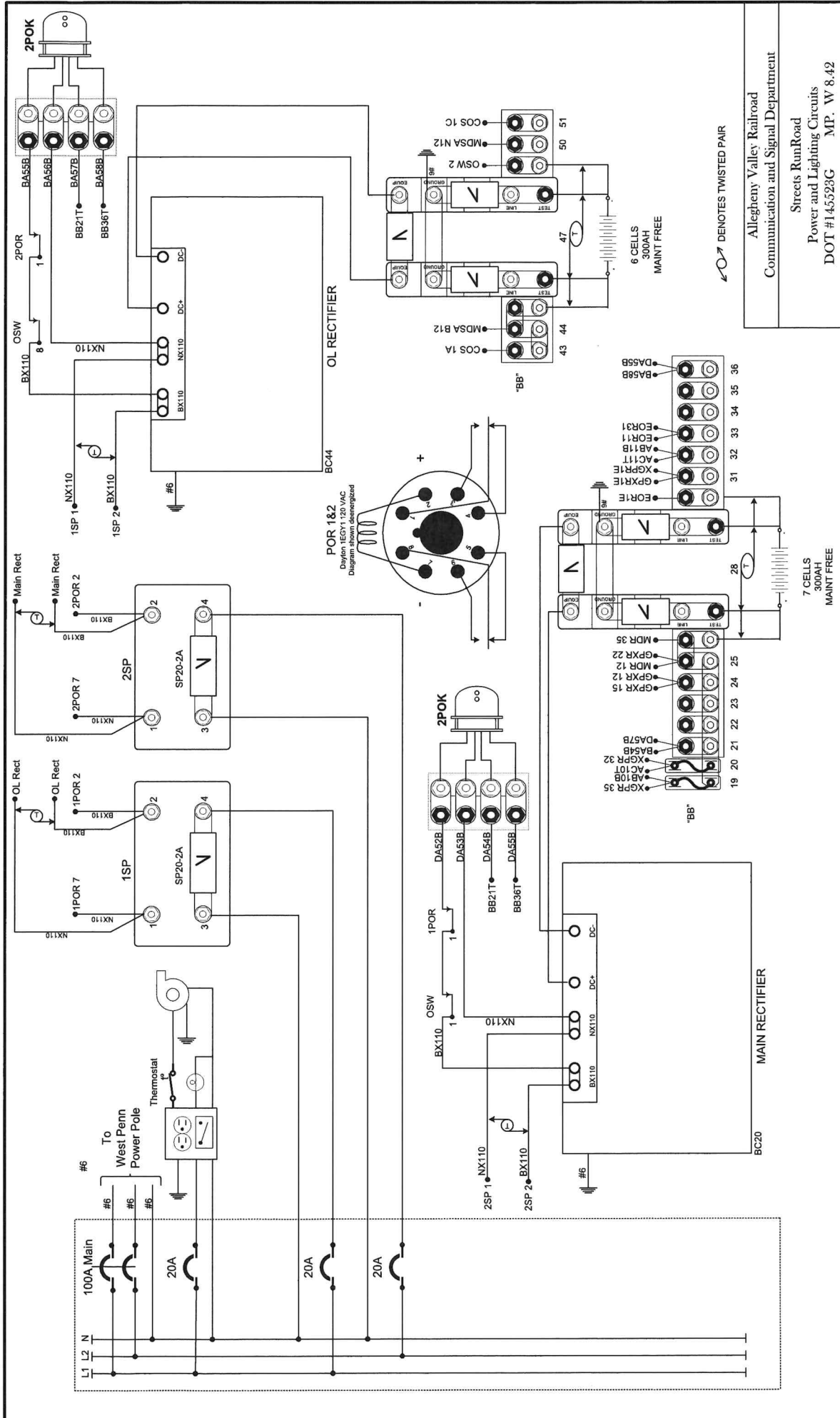
Carlload Express, Inc.
 519 Cedar Way
 Bldg 1, Suite 100
 Oakmont, PA 15139



Contact	Closed	Function	Tension
1B	75-90 Degrees	Power Down	18-28 OZ.
2	0-70 Degrees	Snub Down	18-28 OZ.
3	0-86 Degrees	Power Up	18-28 OZ.
4	0-10 Degrees	Gate Down	16-24 OZ.
5	82-90 Degrees	Gate Clear	16-24 OZ.
6	10-90 Degrees	Bell	16-24 OZ.
7	Spare	Spare	16-24 OZ.
	0-10 Degrees	Snub	16-24 OZ.

AS DESIGNED

Revisions

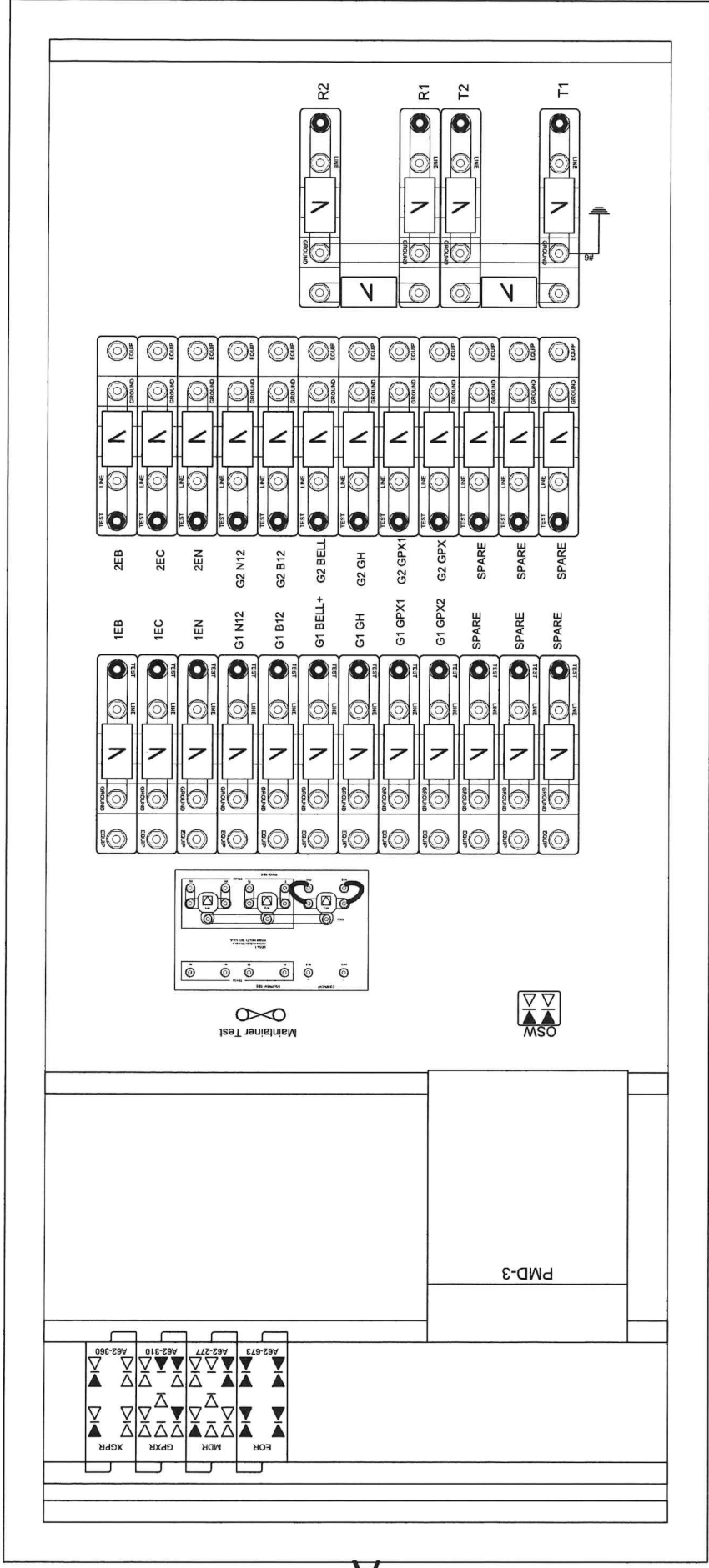


Streets Run Road
 Power and Lighting Circuits
 DOT #145293C MP. W 8.42
 Allegheny Valley Railroad
 Communication and Signal Department
 W&P Subdivision
 Designed: JIS
 Drawn: JIS
 Approved: JIS
 Sheet 7 of 11
 Drawing No P001

Carload Express, Inc.
 519 Cedar Way
 Bldg. 4, Suite 100
 Oakmont, PA 15139
 6 CELLS
 300AH
 MAINT FREE
 7 CELLS
 300AH
 MAINT FREE

AS DESIGNED

Revisions



▼ = Contact Used
 ▲ = Contact Not Used

Alleghe Valley Railroad
 Communication and Signal Department

Streets Round
 Case Layout 'A'
 DOT #145523G MP. W 8.42

P & W Subdivision

Designed: JIS
 Drawn: JIS
 Approved: JIS

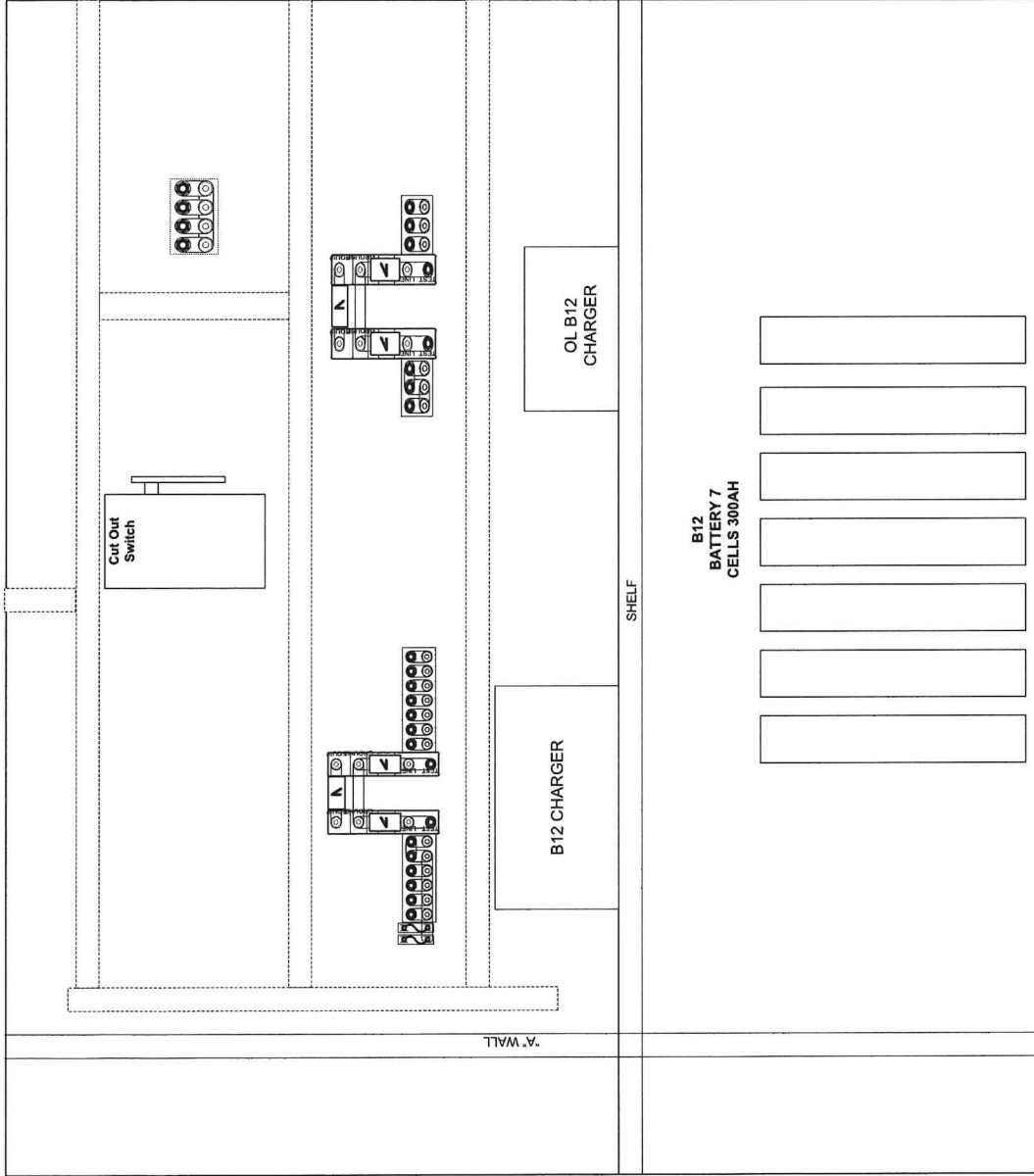
Sheet 8 of 11
 Drawing No W001

Carlod Express, Inc.
 519 Cedar Way
 Bldg. 1, Suite 100
 Oakmont, PA 15139

AS DESIGNED

Revisions

'B'



B12
BATTERY 7
CELLS 300AH

B12 CHARGER

OL B12
CHARGER

SHELF

'A' WALL

Allegheny Valley Railroad
Communication and Signal Department

Streets Round
Case Layout 'B'
DOT #145529G MP. W 8.42

P & W Subdivision

Designed: JBS

Drawn: JBS

Approved: JBS

Sheet 9 of 11

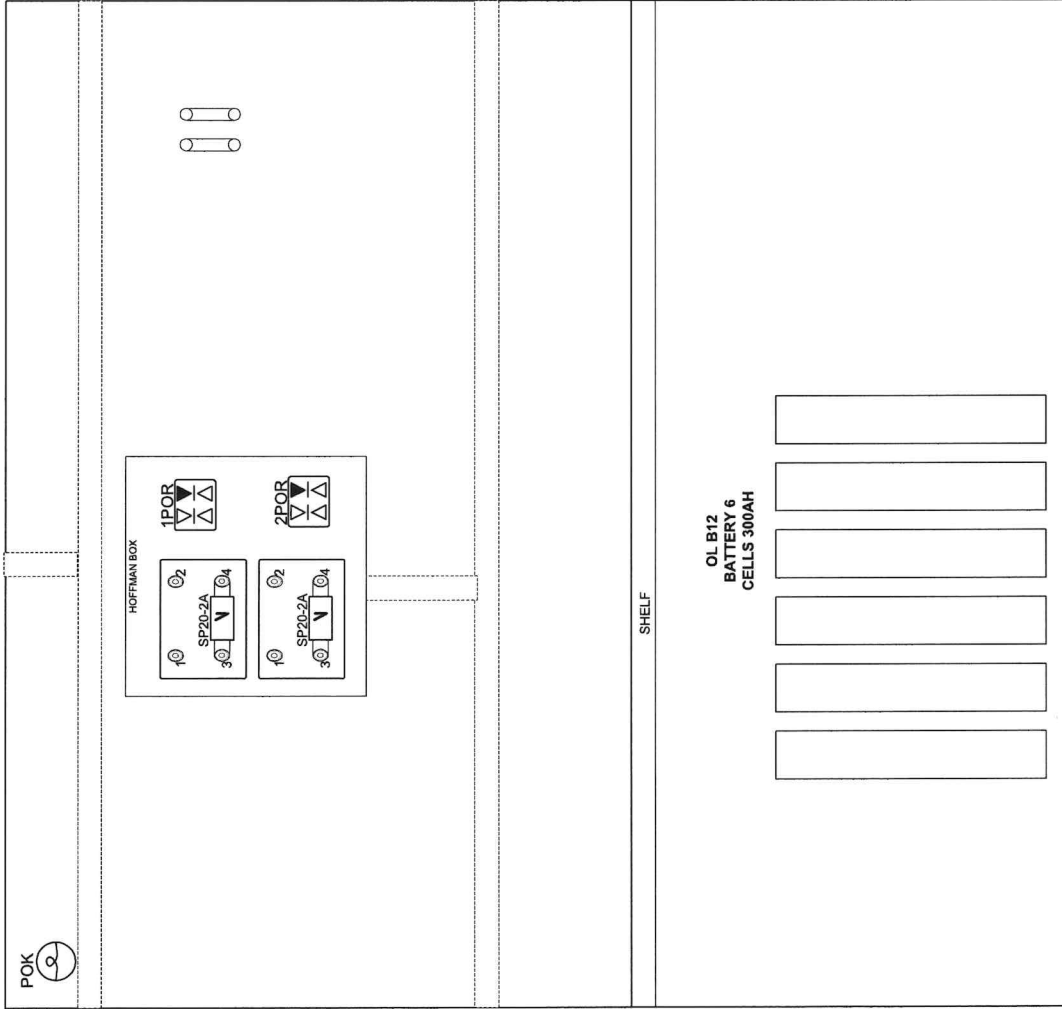
Drawing No W002

Carlload Express, Inc.
519 Cedar Way
Bldg 1, Suite 100
Oakmont, PA 15139

AS DESIGNED

Revisions

'C'

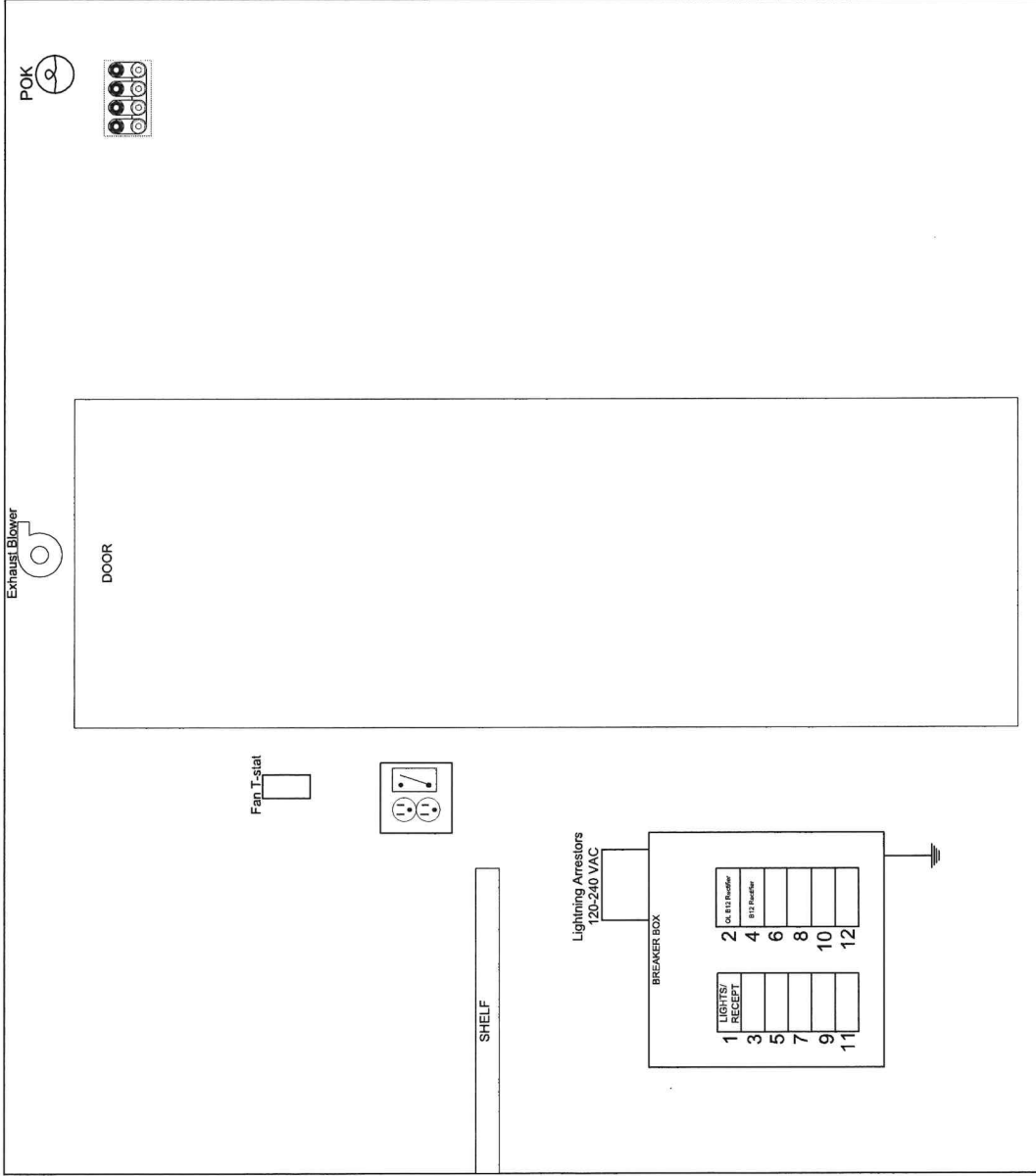


Allegheeny Valley Railroad Communication and Signal Department	
Streets Runrd Case Layout 'B' DOT #14529G MP. W 8.42	
P & W Subdivision	
Designed: JIS	Sheet 10 of 11
Drawn: JIS	
Approved: JIS	Drawing No W003

Carlload Express, Inc.
519 Cedar Way
Bldg. 1, Suite 100
Oakmont, PA 15139

AS DESIGNED

Revisions



Allegheny Valley Railroad Communication and Signal Department	
Streets Round Case Layout 'B' DOT #145529G MP. W 8.42	
P & W Subdivision	
Designed: JIS	Sheet II of II
Drawn: JIS	
Approved: JIS	Drawing No W004

Carload Express, Inc.
519 Cedar Way
Bldg. 1, Suite 100
Oakmont, PA 15139

AS DESIGNED

Revisions