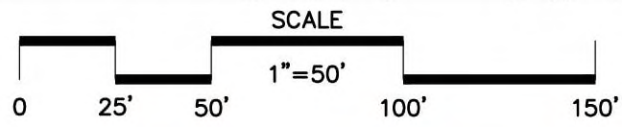


DRAWN BY: MEI
 DATE: 11/03/2025
 SCALE: AS NOTED
 DWG. NO. 0257002964

RETTEW
 RETTEW Associates, Inc.
 3020 Columbia Avenue, Lancaster, PA 17603
 Phone (800) 738-8395
 Email: rettew@rettew.com
 Website: www.rettew.com

SOUTHWEST PENNSYLVANIA RAILROAD
 PERMIT PLAN
 PA AVE. GRANT ST. PH. 2
 FAYETTE COUNTY
 CITY OF UNIONTOWN

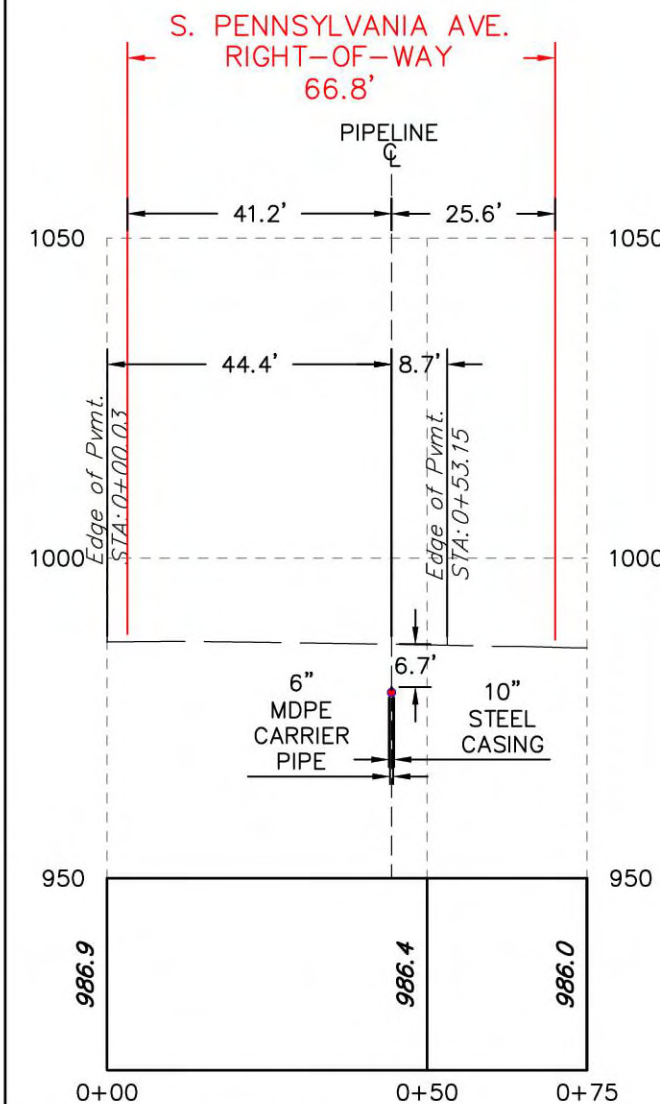
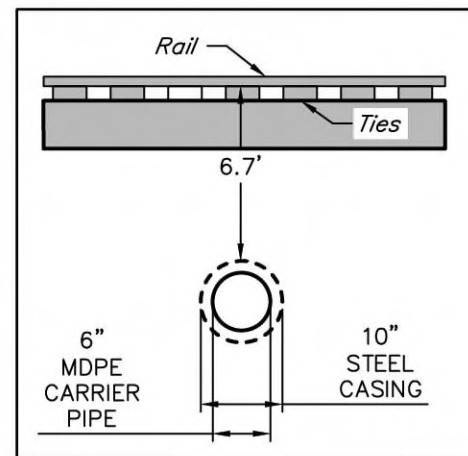
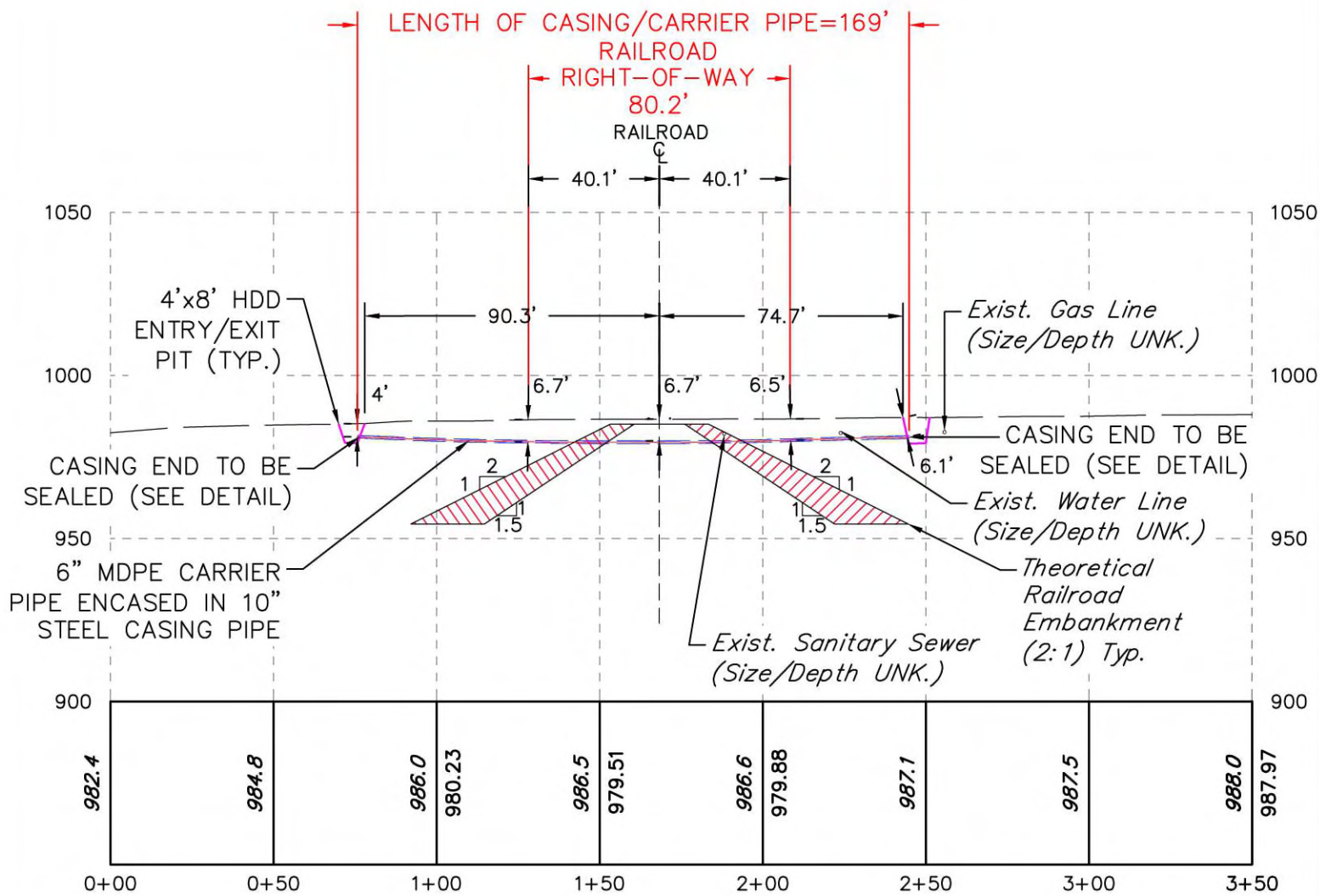


CERTIFIED CORRECT PLANS
 Approved by *[Signature]* Professional Engineer
 Bureau of Technical Utility Services
 PA PUBLIC UTILITY COMMISSION
 ATTEST *[Signature]* Secretary
 03/04/2026
 Docket: A-2025-3059333

- NOTES:**
- WITH THE EXCEPTION OF SOFT UTILITY EXCAVATION, ALL PHYSICAL WORK IS PLANNED TO BE CONDUCTED OUTSIDE OF RAILROAD RIGHT-OF-WAY. PERMIT APPLICATION IS FOR BORE ACTIVITIES UNDER EXISTING FACILITIES.
 - PIPELINE AND CROSSING TO BE INSTALLED AND MAINTAINED IN ACCORDANCE WITH ALL REQUIREMENTS WITH SPECIFICATIONS REQUIRED BY THE AMERICAN RAILWAY ENGINEERING ASSOCIATION, NATIONAL ELECTRIC SAFETY CODE, AND REQUIREMENTS OF CARLOAD EXPRESS, INC. (SOUTHWEST PENNSYLVANIA RAILROAD).
 - EXISTING UTILITIES SHOWN ON THESE PLANS WERE PREPARED USING ONE-CALL RESPONSES IN COMBINATION WITH FIELD OBSERVATION. ALL EXISTING UTILITY LOCATIONS AND DEPTH SHALL BE VERIFIED PRIOR TO COMMENCING WITH HDD AND WILL BE THE RESPONSIBILITY OF THE CONTRACTOR. EXISTING UTILITY DEPTHS HAVE BEEN ASSUMED TO BE 4' UNLESS SPECIFIED.
 - THE HORIZONTAL DATUM IS PENNSYLVANIA STATE PLANE, NORTH AMERICAN DATUM 1983 (NAD 83), SOUTH ZONE.
 - THE VERTICAL DATUM IS PENNSYLVANIA STATE PLANE, NORTH AMERICAN VERTICAL DATUM 1988 (NAVD 88).
 - EMERGENCY SHUT-OFF VALVES SHALL BE INSTALLED ON THE GAS LINE BEING INSTALLED AND WITHIN PERMITTED DISTANCES ON EACH SIDE OF THE RAILROAD AND EASILY ACCESSIBLE IN THE EVENT OF AN EMERGENCY.
 - BLASTING NOT PERMITTED

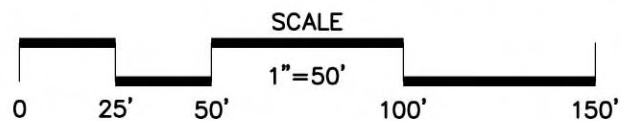
Columbia Gas
 12 SANDSTONE WAY
 DUNBAR, PA 15431
 A NiSource Company

REVISIONS		
REV. #	DATE	DESCRIPTION
2	01/02/2025	REVISED PER RAILROAD COMMENTS
1	12/08/2025	CARRIER PIPE MATERIAL CHANGE
0	11/06/2025	ISSUED FOR PERMITTING



CENTERLINE PROFILE OF RAILROAD X-ING

HORIZONTAL SCALE - 1"=50'
VERTICAL SCALE - 1"=50'



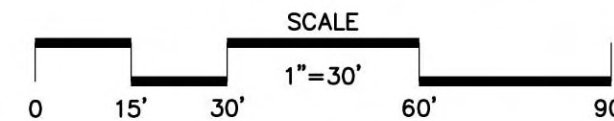
CERTIFIED CORRECT PLANS

Professional Engineer
Approved by Bureau of Technical Utility Services
PA PUBLIC UTILITY COMMISSION

ATTEST *Matthew L. Hande* 03/04/2026
Secretary Docket: A-2025-3059333

CROSS SECTION LOCATED AT STA. 1+68

HORIZONTAL SCALE - 1"=30'
VERTICAL SCALE - 1"=30'



NOTES:

- WITH THE EXCEPTION OF SOFT UTILITY EXCAVATION, ALL PHYSICAL WORK IS PLANNED TO BE CONDUCTED OUTSIDE OF RAILROAD RIGHT-OF-WAY. PERMIT APPLICATION IS FOR BORE ACTIVITIES UNDER EXISTING FACILITIES.
- PIPELINE AND CROSSING TO BE INSTALLED AND MAINTAINED IN ACCORDANCE WITH ALL REQUIREMENTS WITH SPECIFICATIONS REQUIRED BY THE AMERICAN RAILWAY ENGINEERING ASSOCIATION, NATIONAL ELECTRIC SAFETY CODE, AND REQUIREMENTS OF CARLOAD EXPRESS, INC. (SOUTHWEST PENNSYLVANIA RAILROAD).
- EXISTING UTILITIES SHOWN ON THESE PLANS WERE PREPARED USING ONE-CALL RESPONSES IN COMBINATION WITH FIELD OBSERVATION. ALL EXISTING UTILITY LOCATIONS AND DEPTH SHALL BE VERIFIED PRIOR TO COMMENCING WITH HDD AND WILL BE THE RESPONSIBILITY OF THE CONTRACTOR. EXISTING UTILITY DEPTHS HAVE BEEN ASSUMED TO BE 4' UNLESS SPECIFIED.
- THE HORIZONTAL DATUM IS PENNSYLVANIA STATE PLANE, NORTH AMERICAN DATUM 1983 (NAD 83), SOUTH ZONE.
- THE VERTICAL DATUM IS PENNSYLVANIA STATE PLANE, NORTH AMERICAN VERTICAL DATUM 1988 (NAVD 88).
- EMERGENCY SHUT-OFF VALVES SHALL BE INSTALLED ON THE GAS LINE BEING INSTALLED AND WITHIN PERMITTED DISTANCES ON EACH SIDE OF THE RAILROAD AND EASILY ACCESSIBLE IN THE EVENT OF AN EMERGENCY.
- BLASTING NOT PERMITTED



12 SANDSTONE WAY
DUNBAR, PA 15431
A NiSource Company

REVISIONS

REV. #	DATE	DESCRIPTION
2	01/02/2025	REVISED PER RAILROAD COMMENTS
1	12/08/2025	CARRIER PIPE MATERIAL CHANGE
0	11/06/2025	ISSUED FOR PERMITTING



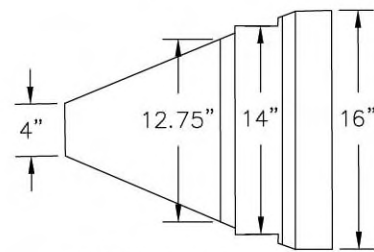
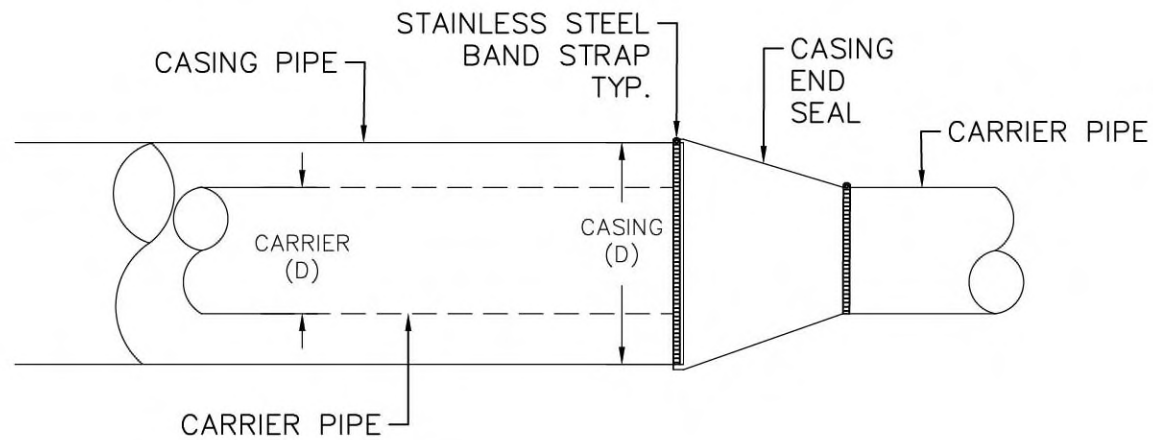
RETTEW Associates, Inc.
3020 Columbia Avenue, Lancaster, PA 17603
Phone (800) 738-8395
Email: rettew@rettew.com
Website: www.rettew.com

SOUTHWEST PENNSYLVANIA RAILROAD
PERMIT PLAN

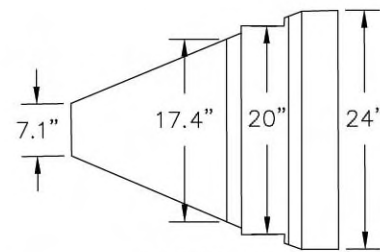
PA AVE. GRANT ST. PH. 2

CITY OF UNIONTOWN FAYETTE

DRAWN BY: MEI
DATE: 10/30/2025
SCALE: AS NOTED
DWG. NO. 0267002964



CARRYING END SEAL
(DIAMETERS RANGE
FROM 4" TO 12.75")



CARRYING END SEAL
(DIAMETERS RANGE
FROM 7.1" TO 17.4")

**APS AMCE END SEAL
DETAIL FOR CARRYING PIPE**

NOT TO SCALE

CERTIFIED CORRECT PLANS

Professional Engineer
Approved by Bureau of Technical Utility Services

PA PUBLIC UTILITY COMMISSION

ATTEST *Secretary* 03/04/2026
Docket: A-2025-3059333

Columbia Gas
A NiSource Company

12 SANDSTONE WAY
DUNBAR, PA 15431

REVISIONS		
REV. #	DATE	DESCRIPTION
2	01/02/2025	REVISED PER RAILROAD COMMENTS
1	12/08/2025	CARRYING PIPE MATERIAL CHANGE
0	11/06/2025	ISSUED FOR PERMITTING

NOTES:

- WITH THE EXCEPTION OF SOFT UTILITY EXCAVATION, ALL PHYSICAL WORK IS PLANNED TO BE CONDUCTED OUTSIDE OF RAILROAD RIGHT-OF-WAY. PERMIT APPLICATION IS FOR BORE ACTIVITIES UNDER EXISTING FACILITIES.
- PIPELINE AND CROSSING TO BE INSTALLED AND MAINTAINED IN ACCORDANCE WITH ALL REQUIREMENTS WITH SPECIFICATIONS REQUIRED BY THE AMERICAN RAILWAY ENGINEERING ASSOCIATION, NATIONAL ELECTRIC SAFETY CODE, AND REQUIREMENTS OF CARLOAD EXPRESS, INC. (SOUTHWEST PENNSYLVANIA RAILROAD).
- EXISTING UTILITIES SHOWN ON THESE PLANS WERE PREPARED USING ONE-CALL RESPONSES IN COMBINATION WITH FIELD OBSERVATION. ALL EXISTING UTILITY LOCATIONS AND DEPTH SHALL BE VERIFIED PRIOR TO COMMENCING WITH HDD AND WILL BE THE RESPONSIBILITY OF THE CONTRACTOR. EXISTING UTILITY DEPTHS HAVE BEEN ASSUMED TO BE 4' UNLESS SPECIFIED.
- THE HORIZONTAL DATUM IS PENNSYLVANIA STATE PLANE, NORTH AMERICAN DATUM 1983 (NAD 83), SOUTH ZONE.
- THE VERTICAL DATUM IS PENNSYLVANIA STATE PLANE, NORTH AMERICAN VERTICAL DATUM 1988 (NAVD 88).
- EMERGENCY SHUT-OFF VALVES SHALL BE INSTALLED ON THE GAS LINE BEING INSTALLED AND WITHIN PERMITTED DISTANCES ON EACH SIDE OF THE RAILROAD AND EASILY ACCESSIBLE IN THE EVENT OF AN EMERGENCY.
- BLASTING NOT PERMITTED

PA ONE CALL UNDERGROUND UTILITY PROTECTION ACT

PURSUANT TO THE PROVISIONS OF ACT NO. 287 OF 1974, AS AMENDED BY ACT 187 OF 1996, ACT 181 OF 2006, ACT 160 OF 2016 AND ACT 50 OF 2017 OF THE PENNSYLVANIA STATE LEGISLATURE, RETTEW ASSOCIATES, INC. HAS PERFORMED THE FOLLOWING IN PREPARING THESE DRAWINGS REQUIRING EXCAVATION OR DEMOLITION WORK AT SITES WITHIN THE POLITICAL SUBDIVISION(S) SHOWN ON THE DRAWINGS:

- PURSUANT TO SECTION 4, CLAUSE (2) OF SAID ACT, RETTEW ASSOCIATES, INC. REQUESTED FROM EACH FACILITY OWNER DESIGNATED ON SUCH LIST PROVIDED BY THE ONE CALL SYSTEM NOTIFICATION, THE INFORMATION PRESCRIBED BY SECTION 2, CLAUSE (4) OF SAID ACT, NOT LESS THAN TEN (10) NOR MORE THAN NINETY (90) BUSINESS DAYS BEFORE FINAL DESIGN IS TO BE COMPLETED.
- PURSUANT TO SECTION 4, CLAUSE (5) OF SAID ACT, RETTEW ASSOCIATES, INC. HAS MET THEIR OBLIGATIONS OF CLAUSE (2) BY CALLING THE PENNSYLVANIA ONE CALL SYSTEM SERVING THE LOCATION WHERE THE WORK IS TO BE PERFORMED, AND SHOWING THE ASSOCIATED SERIAL NUMBER(S) ON THIS/THESE DRAWING(S).
- PURSUANT TO SECTION 4, CLAUSE (3) OF SAID ACT, RETTEW ASSOCIATES, INC. HAS SHOWN UPON THIS/THESE DRAWING(S) THE POSITION AND TYPE OF EACH FACILITY, AS DERIVED PURSUANT TO THE REQUEST MADE AS REQUIRED BY CLAUSE (2),
- PURSUANT TO SECTION 4, CLAUSE (5) OF SAID ACT, RETTEW ASSOCIATES, INC. HAS SHOWN UPON THIS/THESE DRAWING(S) THE TOLL-FREE NUMBER FOR THE ONE CALL SYSTEM AND THE SERIAL NUMBER(S) FOR THE ASSOCIATED ONE CALL SYSTEM NOTIFICATION(S).

ADDITIONALLY, RETTEW ASSOCIATES, INC. DOES NOT MAKE ANY REPRESENTATION, WARRANTY, ASSURANCE OR GUARANTEE THAT THE INFORMATION RECEIVED PURSUANT TO SAID REQUEST, AND AS REFLECTED ON THIS/THESE DRAWING(S), IS CORRECT OR ACCURATE. INFORMATION REFLECTED ON THIS/THESE DRAWING(S) IS SHOWN AS REQUIRED BY SAID ACT NO. 160 OF 2016, AND AS PROVIDED BY THE FACILITY OWNER PURSUANT TO SECTION 2, CLAUSE (4) OF SAID ACT.

DATE: 09/25/2025
ONE CALL SYSTEM SERIAL NUMBER: 20251291705

IT IS THE CLIENT'S RESPONSIBILITY TO NOTIFY RETTEW NO LESS THAN 10 DAYS AND NO MORE THAN 90 DAYS PRIOR TO THE CONSTRUCTION BEGIN DATE. THIS NOTIFICATION WILL ALLOW US TO UPDATE THE PA811 ONE CALL TICKETS ASSOCIATED WITH THIS PROJECT, WHICH IS A REQUIREMENT UNDER ACT 287.



1-800-242-1776
CALL BEFORE YOU DIG!
PENNSYLVANIA LAW REQUIRES THREE (3) WORKING DAYS NOTICE FOR CONSTRUCTION PHASE AND TEN (10) WORKING DAYS IN DESIGN STAGE - STOP CALL

DRAWN BY: MEI
DATE: 10/30/2025
SCALE: AS NOTED
DWG. NO. 0257002964

RETTEW
RETTEW Associates, Inc.
3020 Columbia Avenue, Lancaster, PA 17603
Phone (800) 738-8395
Email: rettew@rettew.com
Website: www.rettew.com

SOUTHWEST PENNSYLVANIA RAILROAD
PERMIT PLAN
PA AVE. GRANT ST. PH. 2
CITY OF UNIONTOWN
FAYETTE