

**BEFORE
PENNSYLVANIA PUBLIC UTILITY COMMISSION**

In re: Application of Gigapower LLC for approval of the alteration of the crossing 361623E by the installation of fiber optic cable where W 8th St crosses above grade of the tracks of Luzerne & Susquehanna Railway, located in the Borough of West Wyoming in Luzerne County.

Application Docket No

To Pennsylvania Public utility Commission:

1. The name and address of applicant are:

GIGAPOWER, LLC (see local mailing address pg. 2)
311 S Akard St. - 21st Floor
Dallas, Tx 75202

2. The name and address of applicant's attorney are:

Thomas Grace - CCO and Chief Counsel
GIGAPOWER, LLC
311 S Akard St. - 21st Floor
Dallas, Tx 75202

3. GIGAPOWER, LLC provides Optical Network infrastructure for use by Internet Service Providers and other data transmission

4. Adding a figure-8 aerial duct and fiber optic cable attached to the existing joint use pole 52436-42410 located at (41.314842, -75.840937) 2 ft Northwest from the Luzerne & Susquehanna Railway crossing (41.314783, -75.840866) and W 8th St. and to the joint use pole 52435-42402 (41.314727, -75.840817) 6ft Southeast from the crossing. The cable will pass above the railway. No attachments will be made to the beams, head wall or any part of the rail bridge structure.

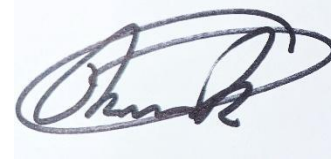
5. The following public utilities who may be affected by or concerned with the proposed alteration of the crossing are Pennsylvania Power and Light, Verizon, Xfinity, Frontier, T-Mobile, Astound Broadband, Service Electric Cable TV. The following municipalities of Borough of Archbald who may be affected by or concerned with the proposed alteration of the crossing are the following property owners Delaware & Lackawanna Railroad.

6. Estimated cost of construction not to exceed \$10,000 - Gigapower LLC. is responsible for the installation, maintenance, and inspection of such facilities and will be the responsible party for all associated costs related to the installation, maintenance, and inspection of such facilities.

7. The alteration is necessary or proper for the following reasons: To provide the residence of the Borough of Archbald with access to high quality fiber internet.

Wherefore, applicant prays your Honorable Commission to approve the application:

Rich Rehak Jr.
Director of Network Operations NEPA
GIGAPOWER, LLC
Po BOX 179
East Greenville, PA 18041



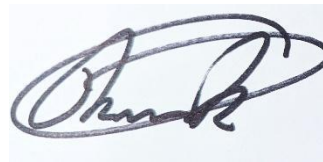
(Signature of Applicant)

§ 1.36. Verification.

- (a) Applications, petitions, formal complaints, motions and answers thereto containing an averment of fact not appearing of record in the action or containing a denial of fact shall be personally verified by a party thereto or by an authorized officer of the party if a corporation or association. Verification means a signed written statement of fact supported by oath or affirmation or made subject to the penalties of 18 Pa. C.S. §4904 (relating to unsworn falsification to authorities). If verification is required, notarization is not necessary.
- (b) The Verification form should comply substantially with the following:

VERIFICATION

I, Rich Rehak Jr. , hereby state that the facts above set forth are true and correct (or are true and correct to the best of my knowledge, information and belief) and that I expect to be able to prove the same at a hearing held in this matter. I understand that the statements herein are made subject to the penalties of 18 Pa. C.S. § 4904 (relating to unsworn falsification to authorities).



Date: April 27, 2028 _____

(Signature)

CERTIFICATE OF SERVICE

I hereby certify that I have this day served a true copy of the foregoing document upon the participants, listed below, in accordance with the requirements of § 1.54 (relating to service by participant).

Railroad:

Luzerne & Susquehanna Railway (LSX)
c/o R.J. Corman Railroad Group
info@rjcorman.com
Phone: 607 687 6992
1 Rutledge Dr
Pittston, PA 18640

PADOT: Jeremiah Gonzalo
jgonzalo@pa.gov
55 Keystone Industrial Park, Dunmore, PA 18512

Swoyersville Borough – 675 Main St, Swoyersville, PA 18704

PPL: Rana Souryal
rsouryal@pplweb.com
P.O. Box 25239, Lehigh ValleCy, PA 18002-5239

Verizon Pennsylvania Inc.: Deborah Barum
poleconduitadmin1@verizon.com, dgcavuto@ctdi.com
1026 Hay St., Wilkinsburg, PA 15221

North Penn Long Distance Corporation: Empire/North Penn Telephone
ospeng@etcnpt.com
34 Main Street, Prattsburgh, NY 14873

Comcast - Duryea: Americomm
carol@americomm-llc.com, heather@americomm-llc.com
21 State Ave (Suite 1), Carlisle, PA 17013

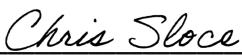
ION Holdco LLC: Sheena Wiater
scharney@firstlight.net, swiater@firstlight.net, smercier@firstlight.net, flf-licensing@firstlight.net,
rsitler@firstlight.net
7890 Lehigh Crossing, Victor, NY 14564

Teleport Communications America LLC: MCarlo Verdi III
cverdi@att.com, jay@trecgroup.com
900 Old Marple Rd., Springfield, PA 19064

CTSI, LLC: Mary Rodman
PA.Structure.Access@ftr.com
100 CTE Drive, Dallas, PA 18612

ZitoMedia / Zito West Holding, LLC: Kelly Ragosta
kelly.ragosta@zitomedia.com
PO Box 665 - 102 South Main Street, Coudersport, PA 16915

XO Communications, Inc.: Scott Dreiling
scott.j.dreiling@xo.com
1220 Broadcasting Road, Wyomissing, PA 19610



(Signature)

Dated this 27nd day of April, 2026

hO V hk-h' k' u@V
 \t V-k
 8@h\t-k
 h\ "\CE
 -' au8k-Vt@ h'
 V@V O' u=k=\Qu
)@-#\k\7V-ut \kMh-k' u@Vo
 V@V O' u=k=\Qu 8@h\t-k #\U
 k@=k-'M
 \yuo@-hO Vuoy"K#uU'uu-k'-@-ku
 k@=k-'M 8@h\t-k #\U
)'V@Oou-UJ' #M
 #\Vouky#u@V O')' h'
)'V@Oou-UJ' #M 8@h\t-k #\U
 -V8@-k@87@U
 #\kV@8hO #
 #=' kOuu- V#
 -) t @\k\8-ko
 hk\8k' U U' V' 8-k
 k\8-ko #\kV@8 #\U
 -) @O t -
 o-V@k \yuo@-hO Vu-V8@-k
 O t --) #\kV@8 #\U
 h-kU@) k' t V''
 #=k@oO #
 ok\ch-V8
 oO\#-# #\kV@8 #\U

hk\K#u@V
 U'ou-khk\K#u 8@h\t-k' V-V O@'
 hk\K#uV'U-'
 #\kV@8hk\K#uVyU"-k' h'
 y8@hhO# u@V VyU"-k'
 \kU 7k' 7)'u'
 k'@'\') Oy--kV- oy@ y=-'VV' k'@' '''O@E
 "k'V#=#kO@-V'U- 1@8@V" k
 kk'U@h\au
 V-'k-ouu@-u" O' au' u@V t h@uouV
 u@-u" O' ch--) V'

8=GHF=7H	7CI BHM	6CFCl ; <	FCI H9	G9; A9BH	C : G9H	HCH5@ G<99HG
((\$	KMCA=B;	%\$&%	\$S' \$	%&@,	-
	(\$	KMCA=B;	%\$&%	\$S' \$	%&\$S	

hy" O@# yu@u@o#\ U U @oo@V'
 k° @k\ °) 'h-kU @u° hhO@#° u@V
 #k\oo@8 VyU "-k HÎ FÎ GHÒ
 uk@h'ou
 ‡ -ou‡ '\U@8 h°
 Oy--kV- #\yVu'

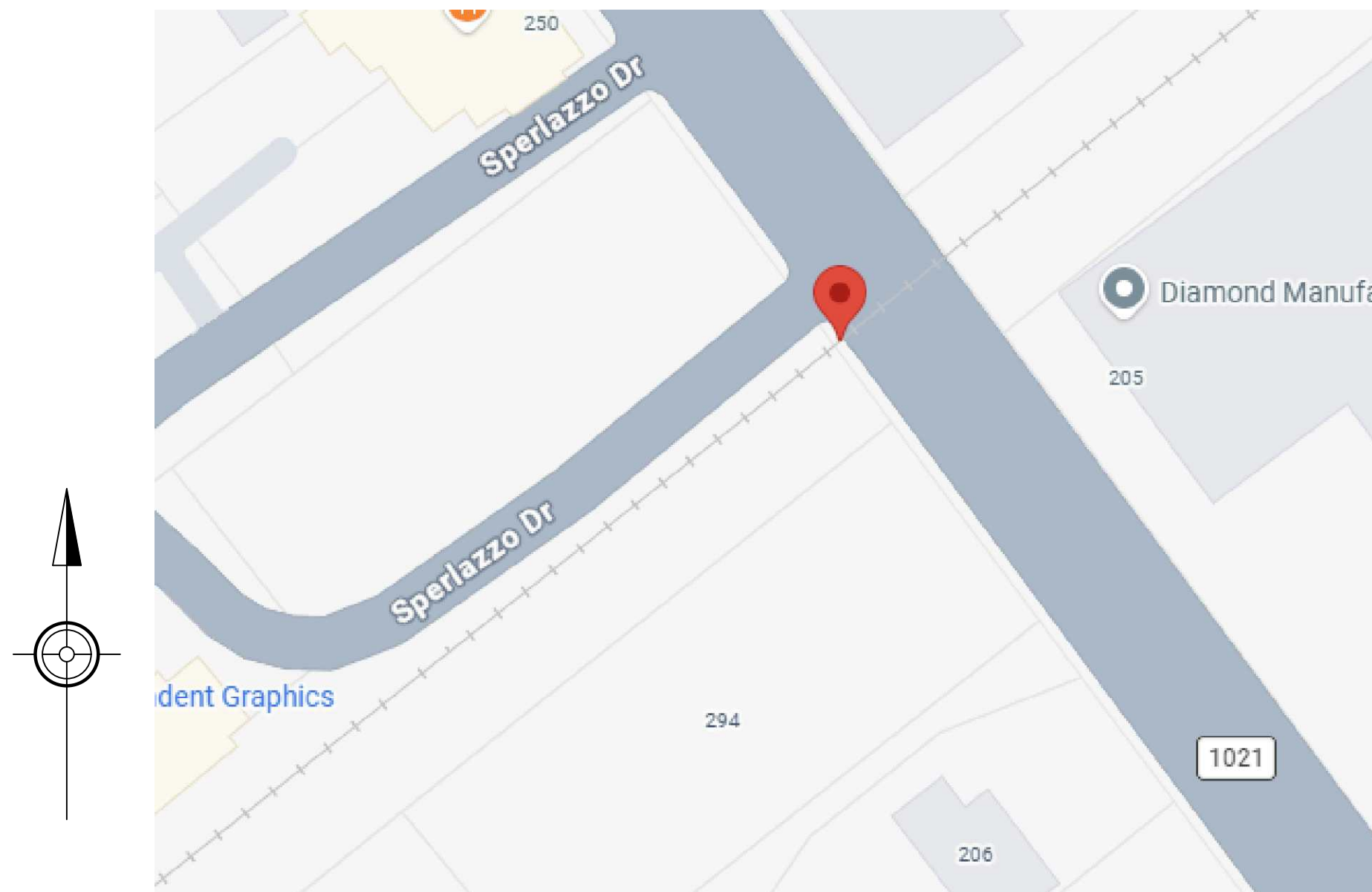
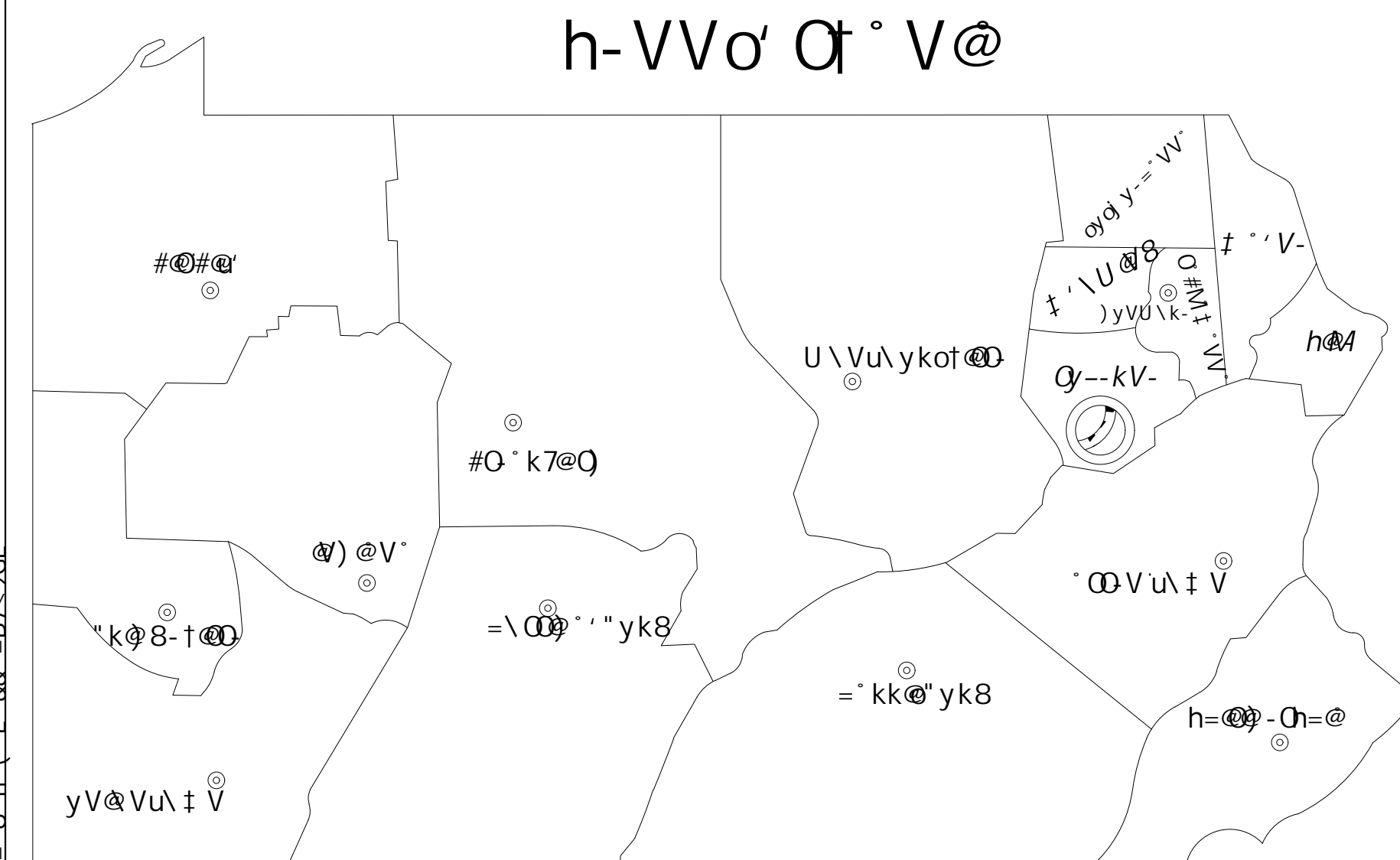
)° u-'

G<99H' =B89L

;! \$\$%	7CJ 9F' G<99H
;! \$\$&	8-V-k' OV\ u-o
;! \$'	@9: 9B8
7! \$\$(D@5B' J=9K
7! \$)\$	DFC: =@9' 5
NI) \$%	DC@9' 89H5=@G
NI) \$&	J5I @H' 89H5=@G
NI) \$'	F9GHCF5H=CB' 89H5=@G
NI) \$(D=H' 89H5=@G

F9J =G=CBG

F9J	85H9	89G7F=DH=CB

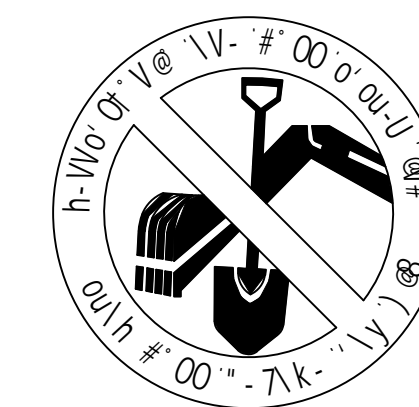


hk\K#u@V

O #° u@V U° h
 VuO

ou° u-'=‡ '
 "\k\y8='ouk--uo
 ‡ ° u-k ‡ ''
 hk\K#u@V @o

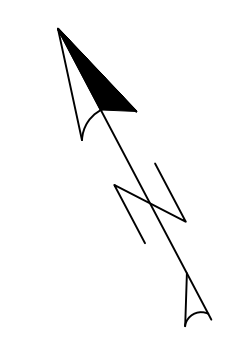
)-o@V) -o@V° u@V
 =@=‡ '' #O o@# u@V 7k--'' ##-oo
)-o@V ch--) U h=
 h' t-U-Vu‡ @u=
 o=\yQ -k‡ @u=



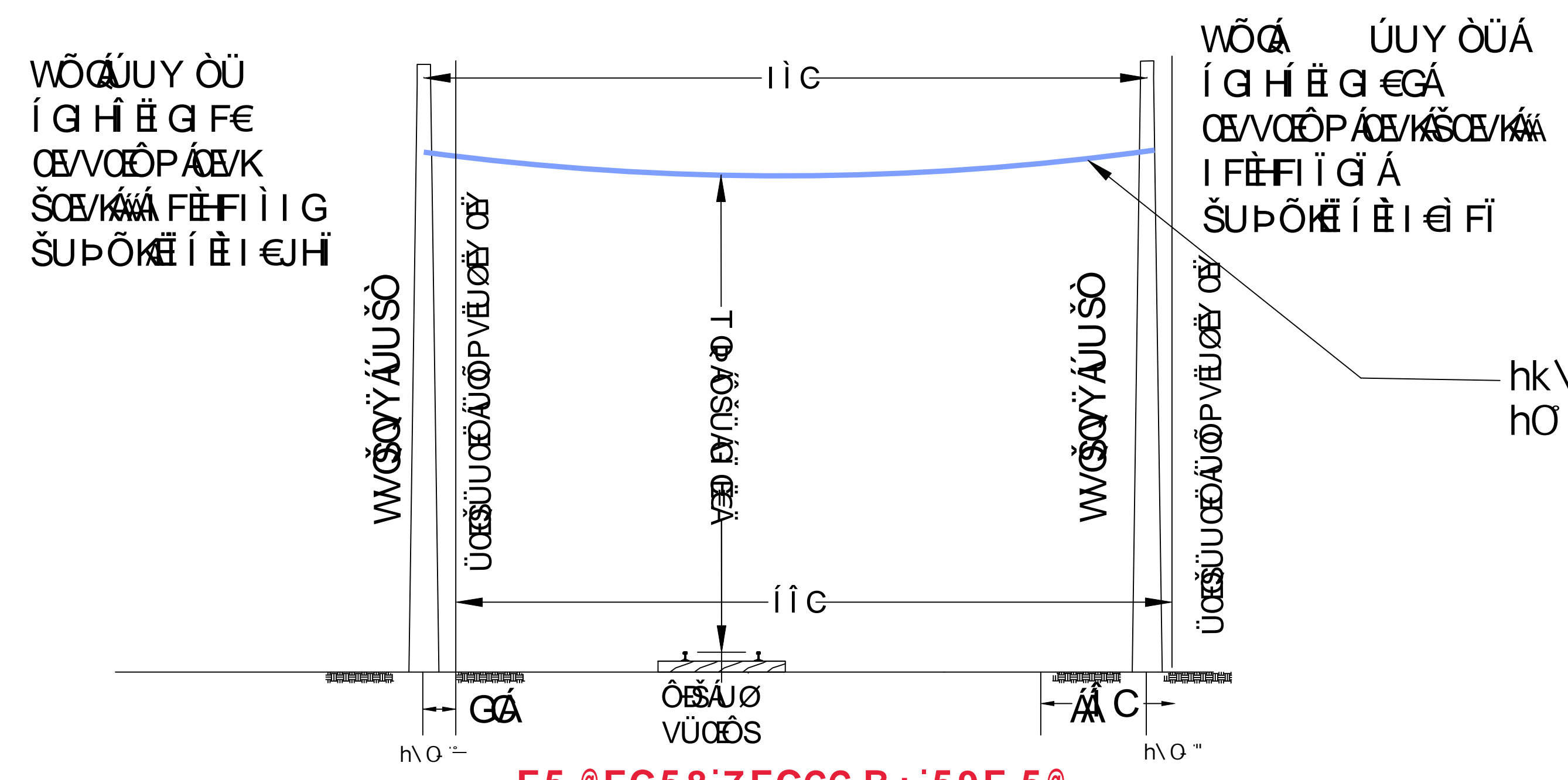
#° O' -7k-' \y) @
 h-VVo' O' V@' O ‡ k-j y@-o' u\ ' ‡ \kM@8) ' 'oV\ u@- 7k #\ Vouky#u@V
 h=' o' " 'o-) \V hk\K#u#\U hO (O' "V) ' ‡ \kM@8) ' 'o@') -o@V ou' 8-
 ou\h#° O
 u=- h' \V- #' OOV\ u@# u@Voh-k7kU-) yk@8hk\K#u)-t-O.hU -Vu' k-
 'o7O@ ‡ o
 hk-O@ @' k') -o@V o-k@OV\ ' o-k@OVyU"-k \V') 'u- 7k

D@CH: 85H9 . (#&&#&\$&\$& z' CE =: =B5@ G=N9 5BG=: 8 fl (. l . && =B7<9G

0.#' u@V)' u'				o--uV\
)@k@u	#\yVu'	k\yu-	o-8U-Vu	\77o-u
hk\K#uV' U-				# \7
\k@# ' O)' u-				
)k' ‡ @8V' U- hk\7@''				
)k' ‡ @8o# ' O				



AERIAL RR PROFILE (OE)

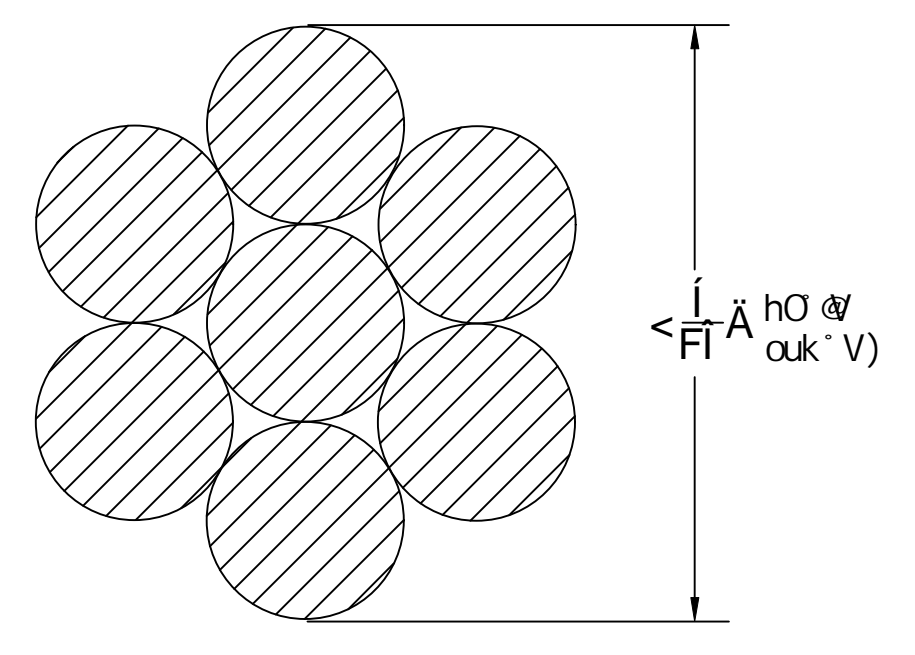


WŌÁ ÚUY ÒÜ
 Í G H Ě G F€
 Œ/VŒP ÁŒ/K
 ŠŒ/KÁ FĚFI Ì I G
 ŠUPŌKĚ Í Ě I €HĚ

WŌÁ ÚUY ÒÜÁ
 Í G H Ě G €GÁ
 Œ/VŒP ÁŒ/KŠŒ/KÁ
 I FĚFI Ì G Á
 ŠUPŌKĚ Í Ě I €FI

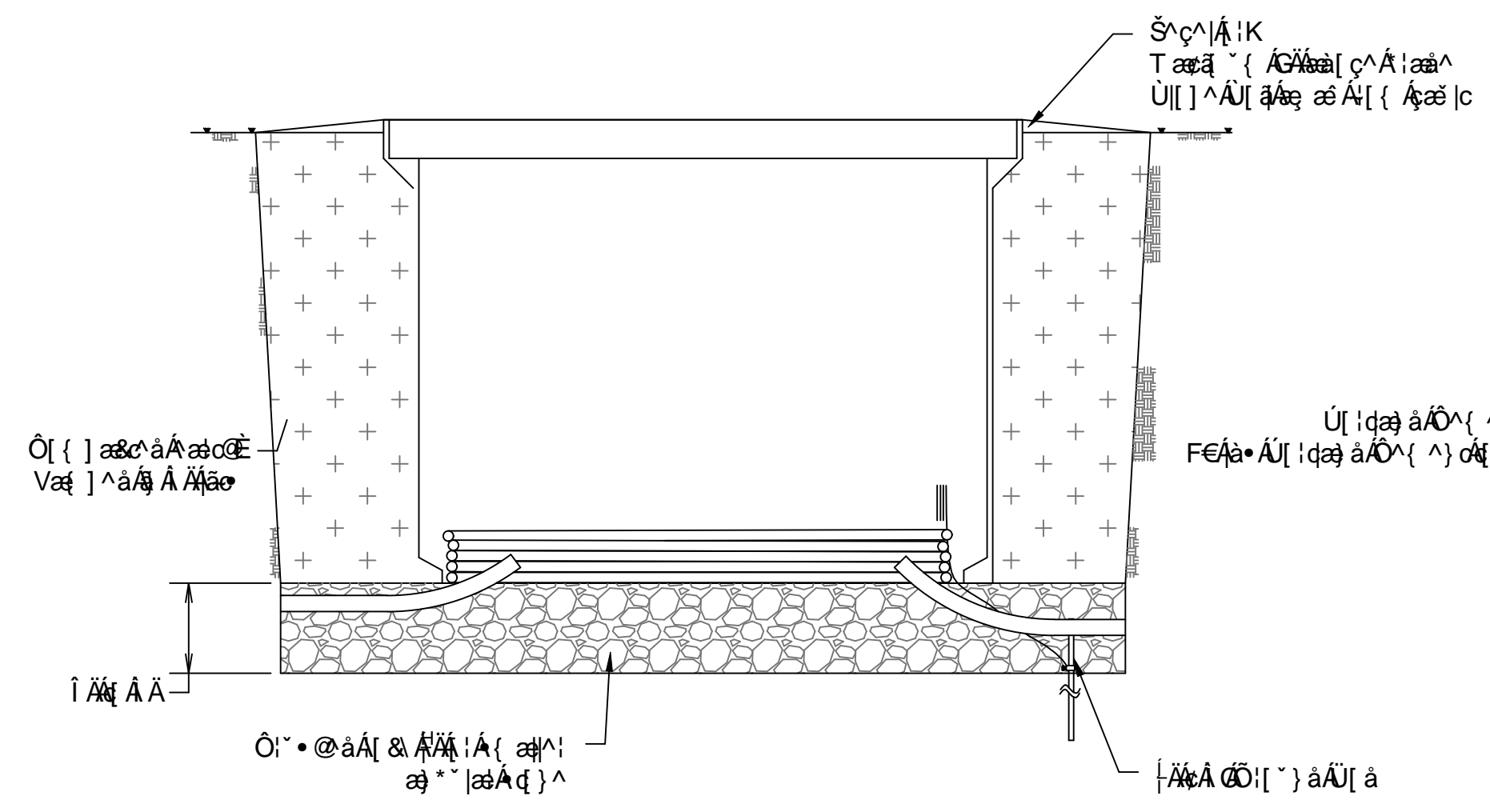
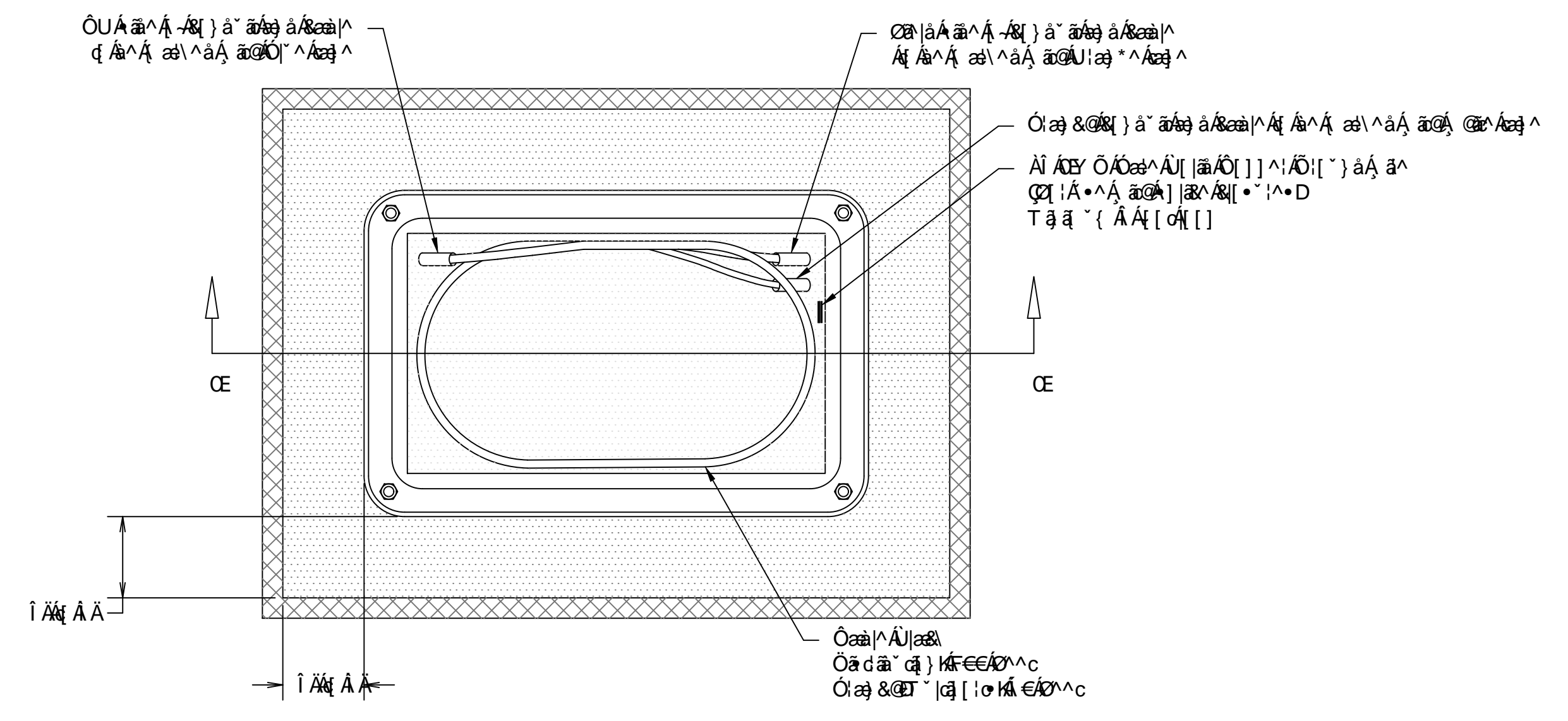
hk\h\o-) ' 77 #u' -k@07@-k
 hO #-) \VV-‡ 'ouk°V)

**F5=@FC58'7FCGG-B ; '59F=5@
 7@95F5B79'IK' ,H<'GH'@CC?-B ; 'GC IH<!K9GHL
 756@9'7FCGG-B ; '85- ; CB5@**

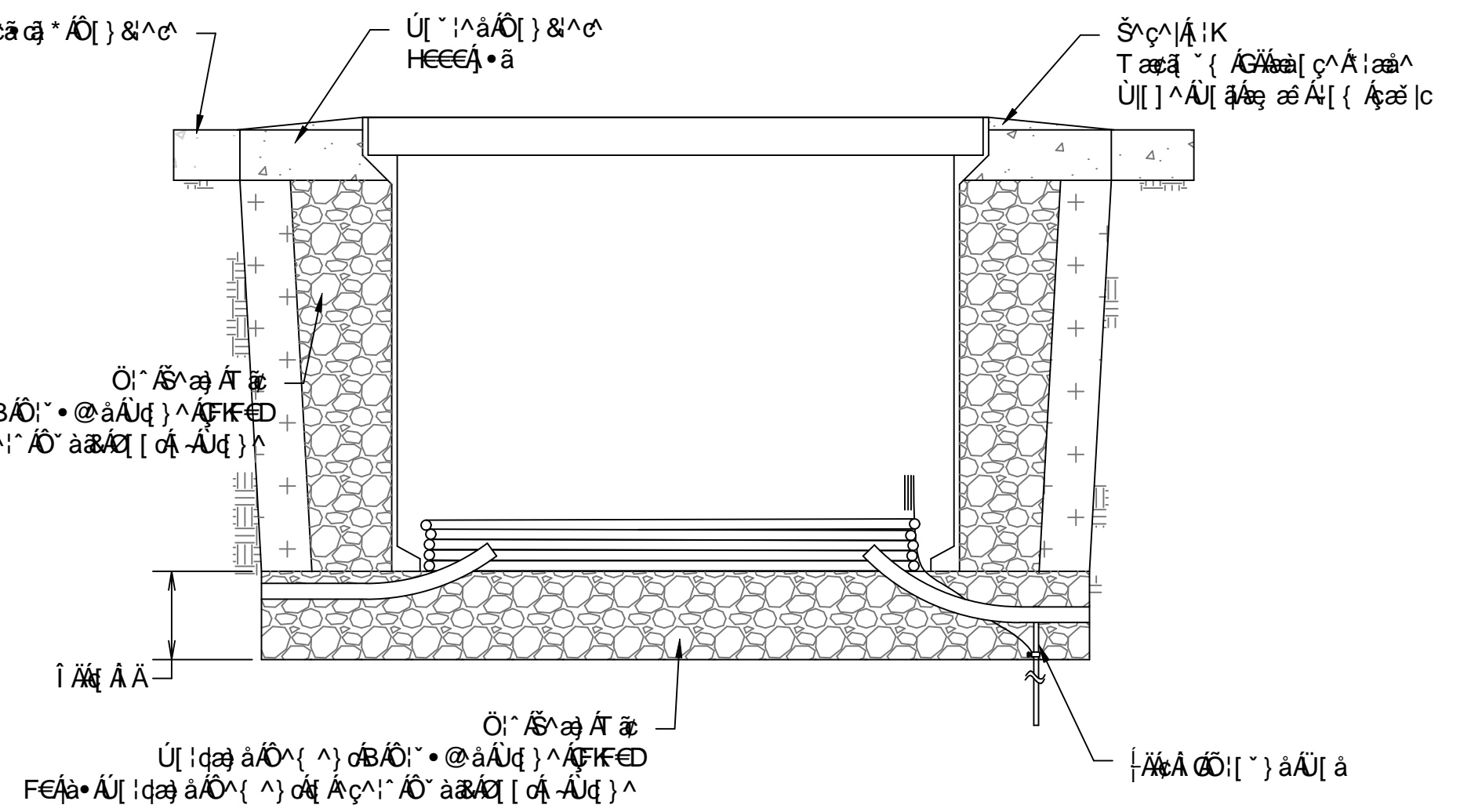


5% ————— DC@9'5'HC'6
 GWY. °%(

u' h# O) - u' @	o--uV\
hk\K#uV' U-	
\k@O' O' u-	- \7
)k' † @8V' U-	- †'yU) - u' @



Õ!^^, æ ÁQ• ç||æä }
 Ôi' @ãÁ[& ÁÄ!Á{ æ!^!
 æ'' |æÁd } ^



Úæ{ ^} ð! ÁÔ[} & ^e ÁQ• ç||æä }
 Ú[!dæ áÁÔ^ ^) ðBÁÔ! • @áÁÚd } ^ÄFIFED
 FÉÁe•ÁÚ[!dæ áÁÔ^ ^) ðé Áç! • ÁÔ' ææÁd[ð! -ÁÚd } ^

