

**BEFORE
PENNSYLVANIA PUBLIC UTILITY COMMISSION**

In re: Application of Gigapower LLC for approval of the alteration of the crossing 266078F by the installation of fiber optic cable where Union St crosses above grade of the tracks of Luzerne & Susquehanna Railway, located in the Borough of Pringle in Luzerne County.

Application Docket No

To Pennsylvania Public utility Commission:

1. The name and address of applicant are:

GIGAPOWER, LLC (see local mailing address pg. 2)
311 S Akard St. - 21st Floor
Dallas, Tx 75202

2. The name and address of applicant's attorney are:

Thomas Grace - CCO and Chief Counsel
GIGAPOWER, LLC
311 S Akard St. - 21st Floor
Dallas, Tx 75202

3. GIGAPOWER, LLC provides Optical Network infrastructure for use by Internet Service Providers and other data transmission

4. Adding a figure-8 aerial duct and fiber optic cable attached to the existing joint use pole 51097-40951 located at (41.275575, -75.890621) 45 ft Northwest from the Luzerne & Susquehanna Railway crossing (41.499217, -75.538862) and Union St. and to the joint use pole 51106-40940 (41.275315, -75.890367) 73ft Southeast from the crossing. The cable will pass above the railway. No attachments will be made to the beams, head wall or any part of the rail bridge structure.

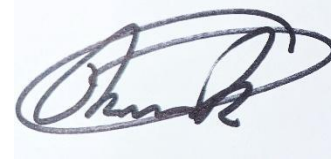
5. The following public utilities who may be affected by or concerned with the proposed alteration of the crossing are Pennsylvania Power and Light, Verizon, Xfinity, Frontier, T-Mobile, Astound Broadband, Service Electric Cable TV. The following municipalities of Borough of Archbald who may be affected by or concerned with the proposed alteration of the crossing are the following property owners Delaware & Lackawanna Railroad.

6. Estimated cost of construction not to exceed \$10,000 - Gigapower LLC. is responsible for the installation, maintenance, and inspection of such facilities and will be the responsible party for all associated costs related to the installation, maintenance, and inspection of such facilities.

7. The alteration is necessary or proper for the following reasons: To provide the residence of the Borough of Pringle with access to high quality fiber internet.

Wherefore, applicant prays your Honorable Commission to approve the application:

Rich Rehak Jr.
Director of Network Operations NEPA
GIGAPOWER, LLC
Po BOX 179
East Greenville, PA 18041



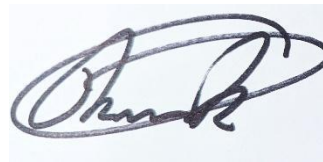
(Signature of Applicant)

§ 1.36. Verification.

- (a) Applications, petitions, formal complaints, motions and answers thereto containing an averment of fact not appearing of record in the action or containing a denial of fact shall be personally verified by a party thereto or by an authorized officer of the party if a corporation or association. Verification means a signed written statement of fact supported by oath or affirmation or made subject to the penalties of 18 Pa. C.S. §4904 (relating to unsworn falsification to authorities). If verification is required, notarization is not necessary.
- (b) The Verification form should comply substantially with the following:

VERIFICATION

I, Rich Rehak Jr. , hereby state that the facts above set forth are true and correct (or are true and correct to the best of my knowledge, information and belief) and that I expect to be able to prove the same at a hearing held in this matter. I understand that the statements herein are made subject to the penalties of 18 Pa. C.S. § 4904 (relating to unsworn falsification to authorities).



Date: April 27, 2028 _____

(Signature)

CERTIFICATE OF SERVICE

I hereby certify that I have this day served a true copy of the foregoing document upon the participants, listed below, in accordance with the requirements of § 1.54 (relating to service by participant).

Railroad:

Luzerne & Susquehanna Railway (LSX)
c/o R.J. Corman Railroad Group
info@rjcorman.com
Phone: 607 687 6992
1 Rutledge Dr
Pittston, PA 18640

PADOT: Jeremiah Gonzalo
jgonzalo@pa.gov
55 Keystone Industrial Park, Dunmore, PA 18512

Swoyersville Borough – 675 Main St, Swoyersville, PA 18704

PPL: Rana Souryal
rsouryal@pplweb.com
P.O. Box 25239, Lehigh ValleCy, PA 18002-5239

Verizon Pennsylvania Inc.: Deborah Barum
poleconduitadmin1@verizon.com, dgcavuto@ctdi.com
1026 Hay St., Wilkinsburg, PA 15221

North Penn Long Distance Corporation: Empire/North Penn Telephone
ospeng@etcnpt.com
34 Main Street, Prattsburgh, NY 14873

Comcast - Duryea: Americomm
carol@americomm-llc.com, heather@americomm-llc.com
21 State Ave (Suite 1), Carlisle, PA 17013

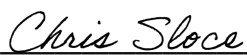
ION Holdco LLC: Sheena Wiater
scharney@firstlight.net, swiater@firstlight.net, smercier@firstlight.net, flf-licensing@firstlight.net,
rsitler@firstlight.net
7890 Lehigh Crossing, Victor, NY 14564

Teleport Communications America LLC: MCarlo Verdi III
cverdi@att.com, jay@trecgroup.com
900 Old Marple Rd., Springfield, PA 19064

CTSI, LLC: Mary Rodman
PA.Structure.Access@ftr.com
100 CTE Drive, Dallas, PA 18612

ZitoMedia / Zito West Holding, LLC: Kelly Ragosta
kelly.ragosta@zitomedia.com
PO Box 665 - 102 South Main Street, Coudersport, PA 16915

XO Communications, Inc.: Scott Dreiling
scott.j.dreiling@xo.com
1220 Broadcasting Road, Wyomissing, PA 19610



(Signature)

Dated this 27th day of April, 2026

PLAN PREPARATION

OWNER:
GIGAPOWER
P.O. BOX 179
EAST GREENVILLE, PA 18041

NICOLE ATHERHOLT
DIRECTOR OF NETWORK OPERATIONS
NICOLE.ATHERHOLT@GIGAPOWER.COM

RICH REHAK
OUTSIDE PLANT SUBJECT MATTER EXPERT
RICH.REHAK@GIGAPOWER.COM

DANIEL STELMACK
CONSTRUCTION LEAD - PA
DANIEL.STELMACK@GIGAPOWER.COM
570-589-5533

ENGINEERING FIRM:
4200 CORNING PLACE
CHARLOTTE, NC 28216

EDWIN ROGERS
PROGRAM MANAGER
ROGERSE2@CORNING.COM

EDDIE LOWE
SENIOR OUTSIDE PLANT ENGINEER
LOWEED@CORNING.COM

PERMIT DRAWN BY:
CHRIS SLOCE
SR OSP ENG
SLOCEC3@CORNING.COM

PROJECT INFORMATION

MASTER PROJECT: GIGAPOWER - NEON-LIMA
PROJECT NAME: ----
CORNING PROJECT NUMBER: 3513PA
UGI APPLICATION NUMBER: ----

FORM FRA F 6180.71 DATA
RAILROAD: LUZERNE & SUSQUEHANNA RAILWAY [LSX]
BRANCH OR LINE NAME: KINGSTON BR
RR MILEPOST: 0149.84
NEAREST TIMETABLE STATION: KINGSTON
TIMETABLE SPEED: N/A

DISTRICT	COUNTY	BOROUGH	ROUTE	SEGMENT	OFFSET	TOTAL SHEETS
4	40	PRINGLE	1013	0020	16	9
	40	PRINGLE	1013	0020	68	

PUBLIC UTILITIES COMMISSION RAILROAD PERMIT APPLICATION

CROSSING NUMBER: 266078F
208 UNION ST
PRINGLE, PA
LUZERNE COUNTY

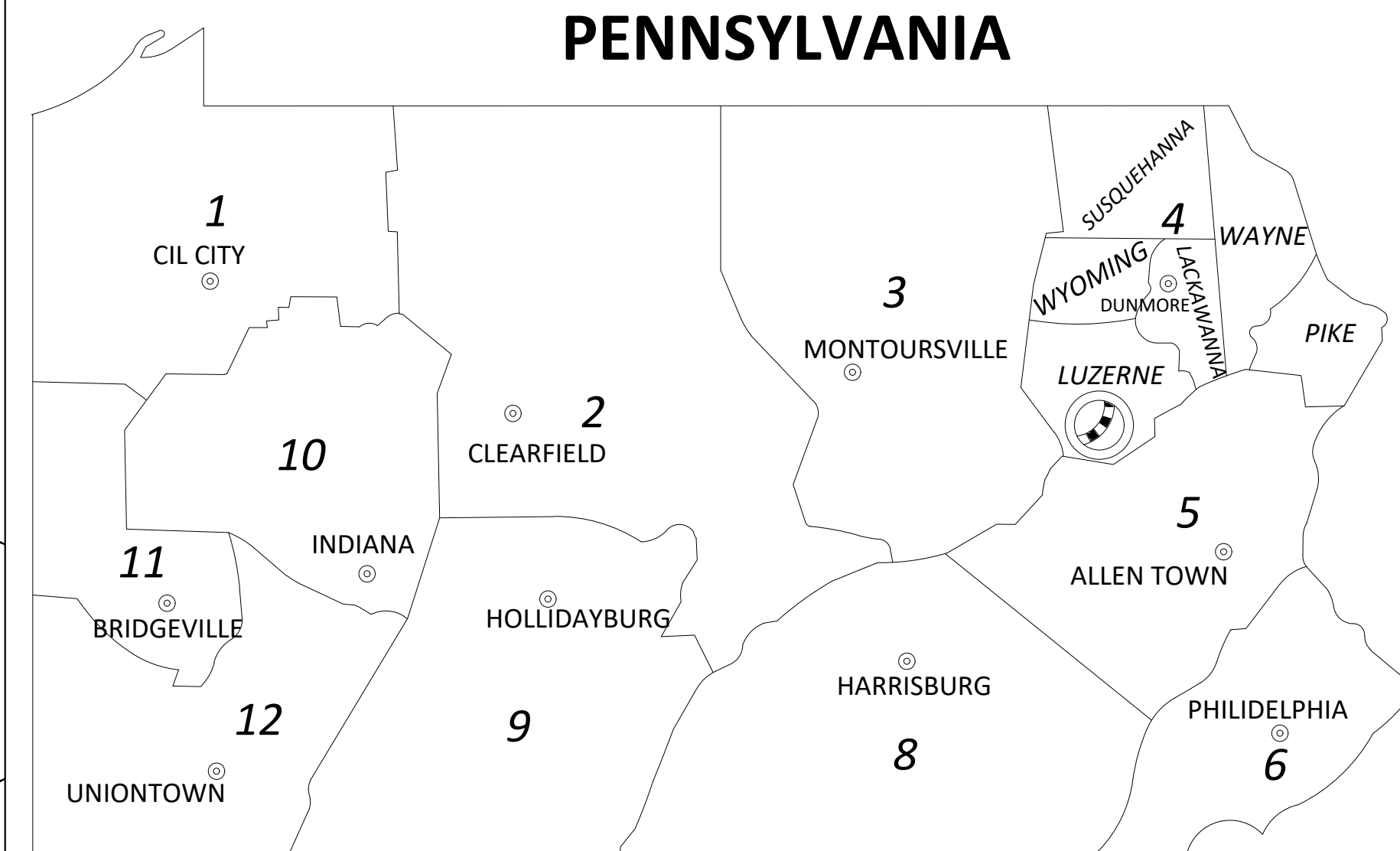
DATE: 04/22/2026

SHEET INDEX

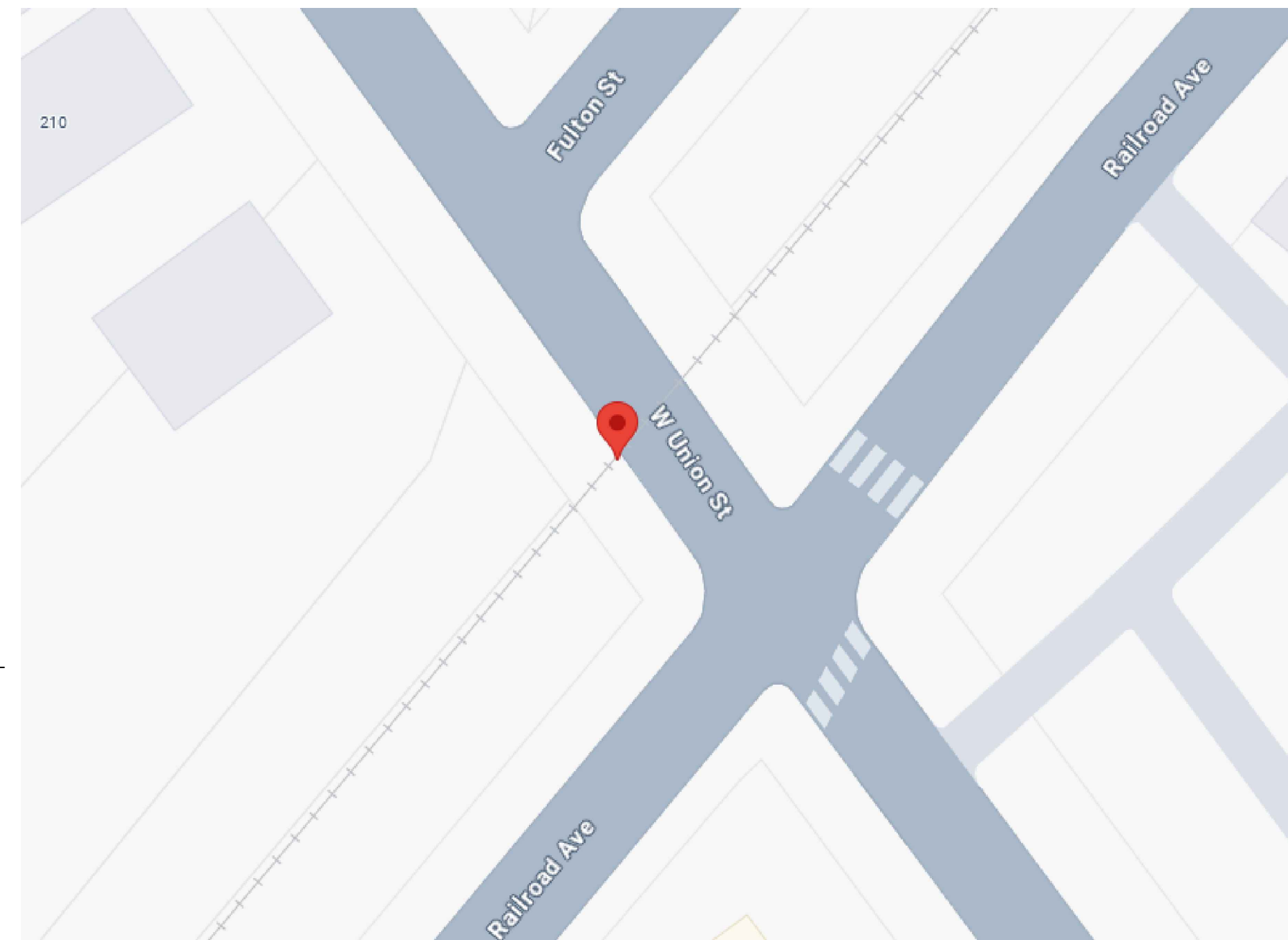
G-001	COVER SHEET
G-002	GENERAL NOTES
G-003	LEGEND
C-004	PLAN VIEW
C-005	PROFILE A
Z-501	POLE DETAILS
Z-502	VAULT DETAILS
Z-503	RESTORATION DETAILS
Z-504	PIT DETAILS

REVISIONS

REV	DATE	DESCRIPTION



PROJECT LOCATION



LOCATION MAP

NTS

- STATE HWY _____
- BOROUGH STREETS - - - - -
- WATER WAY _____
- PROJECT LIMITS - - - - -

PLOT DATE: 3/18/2026, ORIGINAL SIZE: ANSI D (34 X 22 INCHES)

DESIGN DESIGNATION

HIGHWAY CLASSIFICATION	FREE ACCESS
DESIGN SPEED	25 MPH
PAVEMENT WIDTH	25'
SHOULDER WIDTH	7'



CALL BEFORE YOU DIG

PENNSYLVANIA LAW REQUIRES 3 TO 10 WORKING DAYS NOTICE FOR CONSTRUCTION PHASE BASED ON PROJECT COMPLEXITY AND 10 WORKING DAYS IN DESIGN STAGE - STOP CALL 1-800-242-1776

THE PA ONE CALL NOTIFICATIONS PERFORMED DURING PROJECT DEVELOPMENT ARE AS FOLLOWS:

PRELIMINARY DESIGN SERIAL NO. (SERIAL NUMBER) ON (DATE) FOR

GENERAL PERMIT NOTES:

1. THE EXISTING SPEED LIMIT ON FELLOWS IS 25 M.P.H
2. THE RIGHT-OF-WAY IS 40'.
3. ALL WORK IN PA STATE HIGHWAY RIGHT-OF WAY IS TO BE PERFORMED CONSISTENT WITH THE FOLLOWING:
 - 3.1. PENNDOT PUBLICATION 13M, DESIGN MANUAL PART 2 - HIGHWAY DESIGN
 - 3.2. PENNDOT PUBLICATION NO. 34, APPROVED AGGREGATE PRODUCERS (BULLETIN 14)
 - 3.3. PENNDOT PUBLICATION NO. 35, APPROVED CONSTRUCTION MATERIALS (BULLETIN 15)
 - 3.4. PENNDOT PUBLICATION NO. 41, PRODUCERS OF BITUMINOUS MATERIALS (BULLETIN 41)
 - 3.5. PENNDOT PUBLICATION NO. 42, PRODUCERS OF READY-MIX CONCRETE (BULLETIN 42)
 - 3.6. PENNDOT PUBLICATION NO. 46, TRAFFIC ENGINEERING MANUAL
 - 3.7. PENNDOT PUBLICATION NO. 72M, STANDARDS FOR ROADWAY CONSTRUCTION
 - 3.8. PENNDOT PUBLICATION NO. 111, PAVEMENT MARKINGS AND SIGNING STANDARDS
 - 3.9. PENNDOT PUBLICATION NO. 212, OFFICIAL TRAFFIC CONTROL DEVICES
 - 3.10. PENNDOT PUBLICATION NO. 213, TEMPORARY TRAFFIC CONTROL GUIDELINES
 - 3.11. PENNDOT PUBLICATION NO. 408, SPECIFICATIONS
4. PA STATE HIGHWAY RIGHT-OF-WAY MAY NOT BE USED FOR PARKING.
5. PERMITTEE AND PERMITTEE'S CONTRACTOR IS RESPONSIBLE FOR MAINTENANCE OF ALL AUTHORIZED STRUCTURES, FACILITIES, AND DRAINAGE.
6. PERMITTEE AND PERMITTEE'S CONTRACTOR IS RESPONSIBLE FOR MAINTENANCE OF ALL AUTHORIZED SIGNS AND PAVEMENT MARKINGS.
7. THREE TO TEN WORKING DAYS PRIOR TO EXCAVATION BASED ON THE COMPLEXITY OF THE PROJECT, THE CONTRACTOR MUST CONTACT THE PA ONE CALL SYSTEM, INC., PHONE 1-800-242-1776. SERIAL NO. () FOR THE MUNICIPALITY OF PRINGLE. ADDITIONAL INFORMATION IS AVAILABLE AT <https://www.pa1call.org/pa811/Public/>.
8. THE CONTRACTOR IS REQUIRED TO NOTIFY THE DEPARTMENT AND SUBMIT AN ALLEGED VIOLATION REPORT (AVR) TO THE PA PUBLIC UTILITY COMMISSION THROUGH THE PA ONE CALL SYSTEM, www.pa1call.org WITHIN TEN (10) BUSINESS DAYS AFTER A UTILITY IS STRUCK, DAMAGED, OR PREVIOUS DAMAGE IS DISCOVERED AS REQUIRED BY PENNSYLVANIA'S UNDERGROUND UTILITY LINE PROTECTION LAW ACT 50 (P.L.852, NO. 287 AMENDED OCT. 30, 2017).
9. IF A TRAFFIC SIGNAL IS WITHIN 500 FEET OF THE SITE, CALL THE DISTRICT TRAFFIC ENGINEER AT LEAST 3 DAYS PRIOR TO THE START OF WORK.
10. ALL PROPOSED PEDESTRIAN FACILITIES REFLECTED ON THESE PLANS, INCLUDING THOSE THAT ARE OUTSIDE OF PENNDOT LEGAL RIGHT-OF-WAY, SHALL BE CONSTRUCTED TO COMPLY WITH THE REQUIREMENTS OF THE U.S. ACCESS BOARD, PUBLIC RIGHT OF WAY ACCESSIBILITY GUIDELINES OF BUILDINGS OF THE ACCESSIBILITY OF BUILDINGS AND FACILITIES (ADAAG, PENNDOT DESIGN MANUAL PART 2, CHAPTER 6, AND PENNDOT STANDARDS FOR ROADWAY CONSTRUCTION (PENNDOT PUBLICATION 7M, RC-67M) PROVIDE GUIDANCE ON ADA ACCESSIBLE DESIGN FOR PEDESTRIAN FACILITIES AND CAN BE UTILIZED FOR REFERENCE.
11. CONSTRUCT ALL PROPOSED PEDESTRIAN FACILITIES ON THESE PLANS TO COMPLY WITH THE AMERICANS WITH DISABILITIES ACT, PUBLIC RIGHT-OF-WAY ACCESSIBILITY GUIDELINES (PROWAG), AND THE 2010 ADA STANDARDS.
12. IT IS THE RESPONSIBILITY OF THE PERMITTEE AND PERMITTEE'S CONTRACTOR TO REMOVE AND DEBRIS AND FLUSH OUT ALL EXISTING AND NEW STORM DRAINAGE FACILITIES WITHIN THE PROJECT LIMITS AT THE COMPLETION OF CONSTRUCTION.

MAINTENANCE AND PROTECTION OF TRAFFIC (MPT) NOTES:

1. THIS WORK CONSISTS OF MAINTENANCE AND PROTECTION OF TRAFFIC AND THE PROTECTION OF THE PUBLIC WHEN APPROACHING AND DEPARTING THE CONSTRUCTION AREA AND WITHIN THE LIMITS OF CONSTRUCTION.
2. FURNISH, ERECT, PLACE AND MAINTAIN TRAFFIC CONTROL SIGNS AND DEVICES. MAINTAIN TRAFFIC DURING HOURS OF CONSTRUCTION AND ALL OTHER TIMES CONSISTENT WITH THE METHODS INDICATED ON THESE DRAWINGS AND THE FOLLOWING:
 - 2.1. PENNDOT PUBLICATION 35, APPROVED CONSTRUCTION MATERIALS (BULLETIN 15)
 - 2.2. PENNDOT PUBLICATION 46, TRAFFIC ENGINEERING MANUAL
 - 2.3. PENNDOT PUBLICATION 72M, STANDARDS FOR ROADWAY CONSTRUCTION
 - 2.4. PENNDOT PUBLICATION 111, PAVEMENT MARKINGS AND SIGNAGE STANDARDS
 - 2.5. PENNDOT PUBLICATION 212, OFFICIAL TRAFFIC CONTROL DEVICES
 - 2.6. PENNDOT PUBLICATION 213, TEMPORARY TRAFFIC CONTROL GUIDELINES
 - 2.7. PENNDOT PUBLICATION 236, HANDBOOK OF APPROVED DESIGNS
 - 2.8. PENNDOT PUBLICATION 408, SPECIFICATIONS
 - 2.9. MUTCO, CURRENT EDITION
3. REMOVE THESE DEVICES IMMEDIATELY AFTER UPON COMPLETION OF THE WORK, PENNDOT WILL REMOVE ANY TRAFFIC CONTROL DEVICES ERECTED BY DEPARTMENT FORCES.
4. PERMITTEE MUST ARRANGE FOR INSPECTION OF ALL DEVICES PRIOR TO START OF WORK.
5. COVER OR REMOVE ALL CONFLICTING SIGNS AND ERADICATE ALL CONFLICTING PAVEMENT MARKINGS.
6. MOUNT ALL LONG-TERM ADVANCED WARNING SIGNS ON TYPE III BARRICADES UNLESS OTHERWISE NOTED OR INSTRUCTED BY DISTRICT OFFICE.
7. ALL SIGNS AND DEVICES TO BE MAINTAINED IN NEW OR LIKE NEW CONDITION.
8. DRIVEWAYS WILL BE KEPT ACCESSIBLE AT ALL TIMES, LOCATE ALL SIGNS SO THAT SIGHT DISTANCE WILL NOT BE OBSTRUCTED AT DRIVEWAYS AND LOCAL ROADS.
9. ALL CHANNELIZING DEVICES, BARRICADES, AND SIGNS SHALL HAVE TYPE III OR BETTER PRISMATIC RETROREFLECTIVE SHEETING. SHEETING SHALL BE APPROVED AND LISTED IN PENNDOT PUBLICATION 35 (BULLETIN 15).
10. NO TRAFFIC RESTRICTIONS OR LANE CLOSURES ARE PERMITTED BETWEEN 6:00 AM AND 9:00 AM AND BETWEEN 3:00 PM AND 6:00 PM MONDAYS THROUGH FRIDAYS OR ON LEGAL HOLIDAYS AND WEEKENDS ASSOCIATED WITH LEGAL HOLIDAYS. ALL RESTRICTIONS AND CLOSURES ARE TO BE REMOVED BY NOON ON THE DAY PRIOR TO A LEGAL HOLIDAY.
11. PERMITTEE SHALL NOTIFY LOCAL EMERGENCY AUTHORITIES (E.G., POLICE, FIRE, MEDICAL,) AFFECTED BUSINESSES, SCHOOL DISTRICTS, THE GENERAL PUBLIC, THE DISTRICT PERMIT MANAGER AND THE DISTRICT AREAS COORDINATOR AT LEAST FOURTEEN (14) DAYS PRIOR TO SIGNIFICANT TRAFFIC IMPACTS (E.G., LATERAL WIDTH RESTRICTIONS LESS THAN 16 FEET, DETOURS).
12. MAINTENANCE OF AND PROTECTION OF TRAFFIC DURING CONSTRUCTION SHALL BE IN ACCORDANCE WITH THE APPLICABLE PATA DRAWINGS 107. IN THE CURRENT PENNDOT PUBLICATION 213, "TEMPORARY TRAFFIC CONTROL GUIDELINES."
13. DROP OFFS CREATED BY CONSTRUCTION OPERATIONS SHALL BE TREATED CONSISTENT WITH PUBLICATION 408, SECTION 901.31J).
14. REMOVE ALL SHORT TERM WORK ZONE TRAFFIC CONTROL SIGNING UPON COMPLETION OF THAT DAY'S WORK PERIOD.
15. RESTRICTING TRAFFIC FLOW WITHIN THE WORK AREA SHALL BE MINIMIZED TO PREVENT TRAFFIC CONGESTION AND UNSAFE TRAFFIC CONDITIONS.
16. NOTIFY THE LOCAL MUNICIPALITY WHERE SIGNALIZED INTERSECTIONS FALL WITHIN THE WORK ZONE. DO NOT FLAG A SIGNALIZED INTERSECTION WITHOUT THE MUNICIPALITY PLACING THE SIGNAL ON FLASH.
17. THE CONTRACTOR SHALL COMPLY WITH ACT 229 OF DECEMBER 2002 DURING CONSTRUCTION ACTIVITIES WITHIN THE PENNDOT RIGHT-OF-WAY.
18. ALL FLAGGERS TO WEAR YELLOW/GREEN ANSI II APPAREL AND LEGGINGS. ANSI III APPAREL IS REQUIRED DURING HOURS OF DARKNESS FOR ALL HIGHWAY WORKERS.

PROJECT NAME: ----

SHEET NAME: GENERAL NOTES

DATE: 22 April 2026

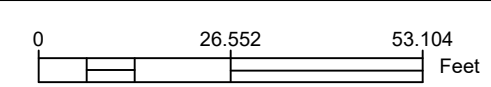
SHT NO. G-002

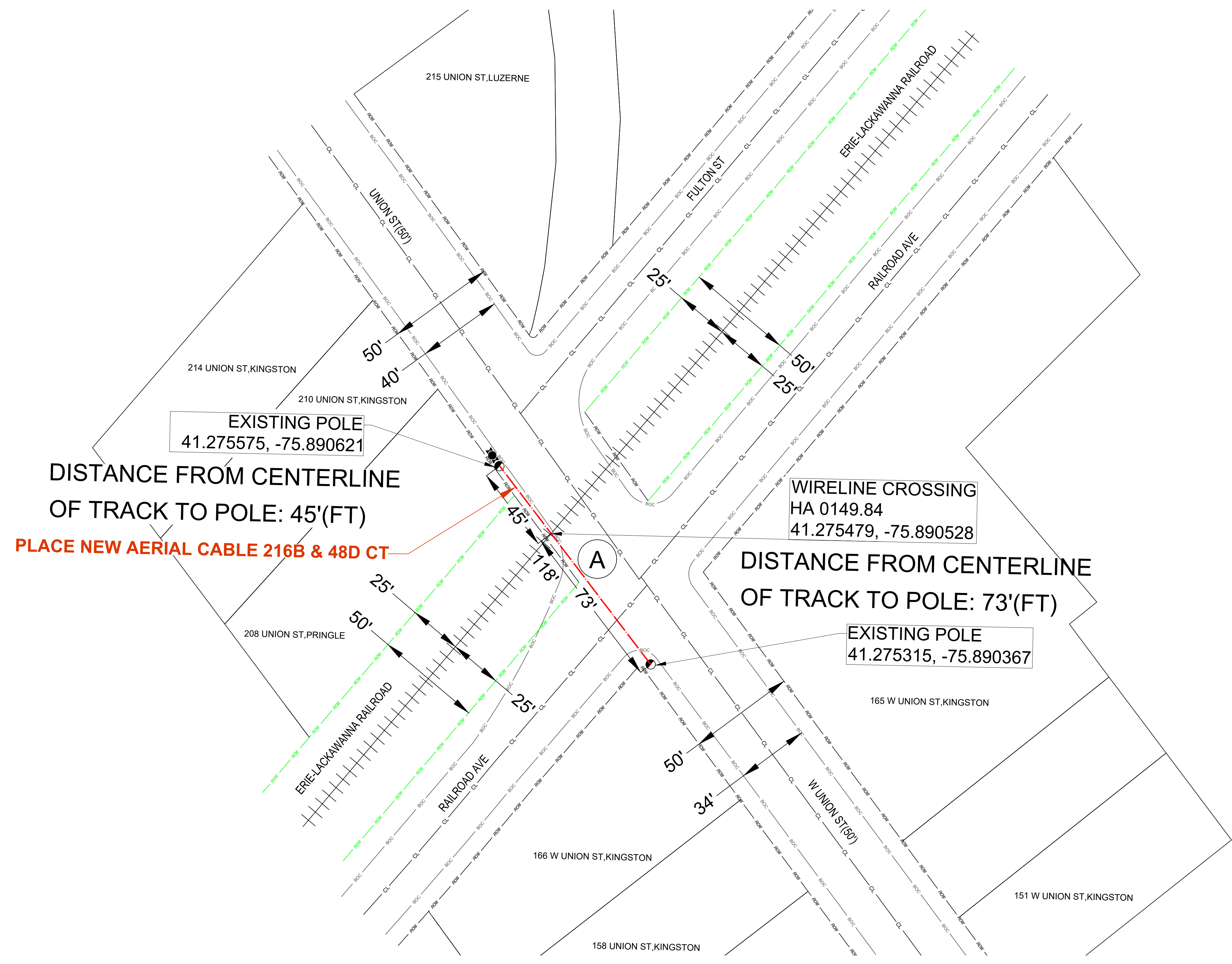
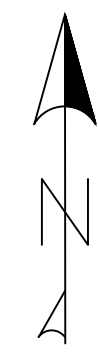
LEGEND

<u>LINES</u>		<u>UTILITIES</u>	
<i>-PROPOSED</i>			
	FO	FIBER OPTIC - AERIAL	
	FODB	FIBER OPTIC - DIRECT BURIED	
	FOU	FIBER OPTIC - UNDERGROUND	
	FO(S)	FIBER OPTIC - SLACK SPAN	
	>>	FIBER OPTIC - OVERHEAD GUY	
))	FIBER OPTIC - POLE TO POLE GUY	
	COND	CONDUIT	
<i>-EXISTING</i>			
	T	TELEPHONE - AERIAL	
	TU	TELEPHONE - UNDERGROUND	
	CTV	CABLE TV - AERIAL	
	CTVU	CABLE TV - UNDERGROUND	
	E	ELECTRIC - AERIAL	
	EU	ELECTRIC - UNDERGROUND	
	W	WATER	
	SS	SANITARY SEWER	
	SW	STORM WATER	
	G	GAS	
<u>OTHER</u>			
		RIGHT-OF-WAY	
		CENTER LINE OF ROAD	
		EDGE OF PAVEMENT	
		WATER WAY	
		GUIDE RAIL	
		MUNICIPAL BOUNDARY	

<u>SYMBOLS</u>		<i>-PROPOSED</i>
		UTILITY POLE - CUSTOMER - OWNED
		DOWN GUY - ANCHOR
		DOWN GUY - SIDEWALK
	F	HANDHOLE - FIBER OPTIC
	TP	CORE BORE, UTILITY IDENTIFICATION
		EXCAVATION
<i>-EXISTING</i>		
		UTILITY POLE
	T	HANDHOLE - TELEPHONE
	CTV	HANDHOLE - CABLE TV
	PWR	HANDHOLE - ELECTRIC
	U	HANDHOLE - UNKNOWN
	SW	STORM WATER GRATE
	T	MANHOLE - TELEPHONE
	C	MANHOLE - CABLE TV
	E	MANHOLE - ELECTRIC
	S	MANHOLE - SANITATION
	W	MANHOLE - WATER
	U	MANHOLE - UNKNOWN
	G	METER/VALVE - GAS
	H	FIRE HYDRANT
		TRAFFIC SIGNAL
		TRAFFIC SIGN
		RAILROAD CROSSING - SIGN
		RAILROAD CROSSING - SIGNAL
		RAILROAD CROSSING - GATE
		BENCHMARK
		CULVERT
		BRIDGE

<u>ABBREVIATIONS</u>		<u>ABBREVIATIONS</u>	
ABANDONED	ABD	LINEAR FOOT	LT
ASPHALT	ASPH	LOW POINT OF SAG	LOP
AVENUE	AVE	MANHOLE	MH
BEARING	BRG	MILES PER HOUR	MPH
BENCH MARK	BM	MONUMENT	MON
BITUMINOUS	BIT	OFFSET	OFF
BLACK	BLK	ORANGE	ORN
BOULEVARD	BLVD	OUTSIDE DIAMETER	OD
BRIDGE OCCUPANCY LICENSE	BOL	PAVEMENT	PAV'T
CAST IRON PIPE	CIP	PERMANENT	PERM
CONCRETE PIPE	CP	POINT	PT
CONDUIT	COND	POWER POLE	PP
CONTROL POINT	CTP	PROJECT	PROJ
COORDINATE	COORD	PROPERTY LINE	PL
COUNTY	CO	RAILWAY	RW
DIAMETER	DIA OR Ø	RAILROAD	RR
EDGE OF CONCRETE	EC	REINFORCED CONCRETE PIPE	RCP
EDGE OF PAVEMENT	EP	REVISION	REV
ELEVATION	EL	RIGHT-OF-WAY	R/W
EXISTING	EXIST	ROAD	RD
FEET	FT OR '	ROUTE	RTE
FIBER OPTIC	FO	SANITARY SEWER	SAN S
FIBER OPTIC CABLE	FOC	SEGMENT	SEG
FIGURE	FIG	SHEET	SHT
FINISHED GRADE	FG	SHOULDER	SHLDR
FIRE HYDRANT	FH	SIDEWALK	SDWK
FOOT	FT OR '	STANDARD	STD
GENERAL	GENL	STATE ROUTE	SR
GUIDE RAIL	GR	STATION	STA
HANDHOLE	HH	STREET	ST
HEIGHT OF ATTACHMENT	HOA	STEEL	STL
HIGHWAY	HWY	TELEPHONE POLE	TP
HIGHWAY OCCUPANCY PERMIT	HOP	TEMPORARY	TERM
HORIZONTAL	HOR	TEST PIT	TP
HORIZONTAL DIRECTIONAL DRILL	HDD	TOP OF CURB	TC
INCH	IN OR "	TOP OF RAIL	TR
INSIDE DIAMETER	ID	VARIABLE	VAR
IRON PIPE	IP	VERTICAL	VERT
LENGTH	LGTH	WALK	WK
LIMITED ACCESS	LA	WORK ZONE TRAFFIC CONTROL	WZTC

LOCATION DATA					SHEET NO. C-004 OF 9
DISTRICT	COUNTY	ROUTE	SEGMENT	OFFSET	
4	40	1013	0020	16	
PROJECT NAME: ----					
ORIGINAL DATE: 22 April 2026					
DRAWING NAME: Plan View					
DRAWING SCALE:  Feet					



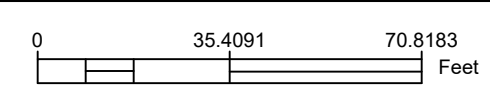
DISTANCE FROM CENTERLINE
OF TRACK TO POLE: 45'(FT)

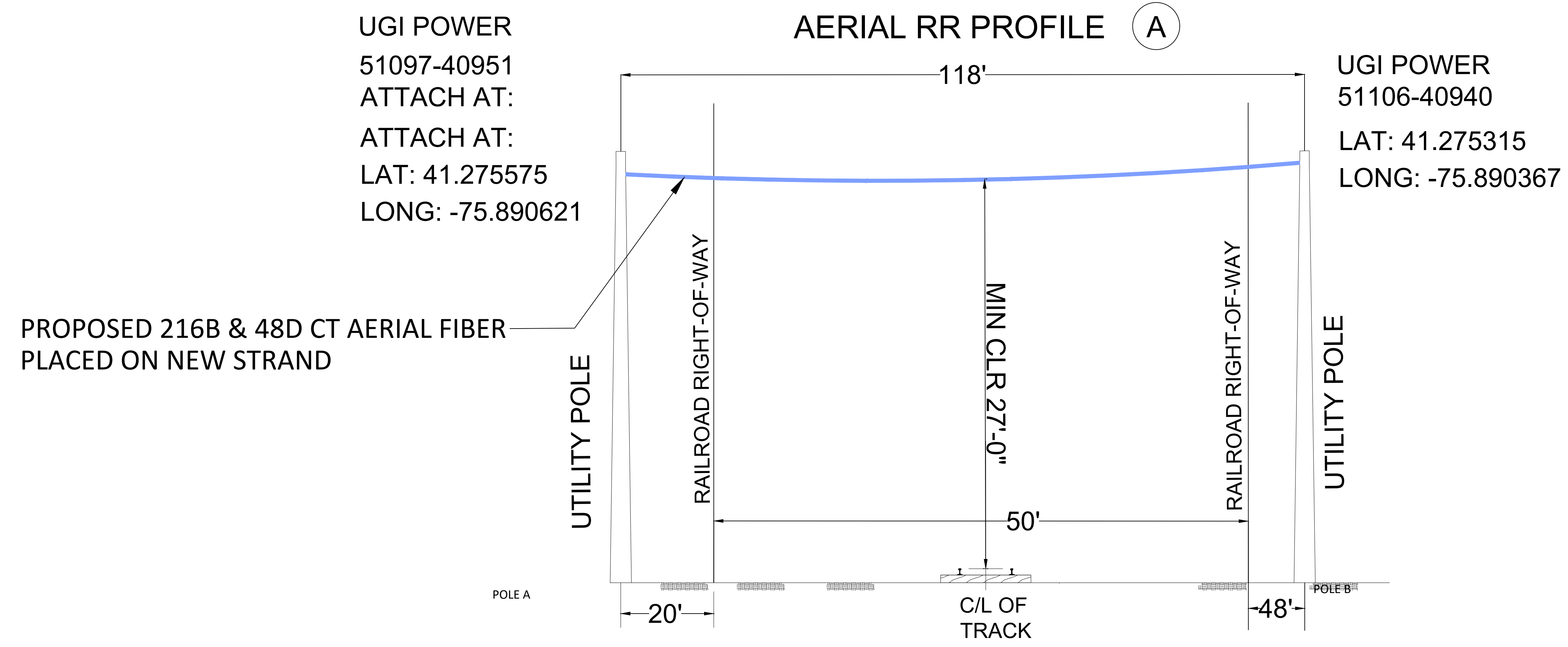
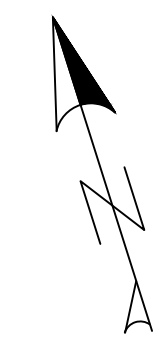
PLACE NEW AERIAL CABLE 216B & 48D CT

DISTANCE FROM CENTERLINE
OF TRACK TO POLE: 73'(FT)

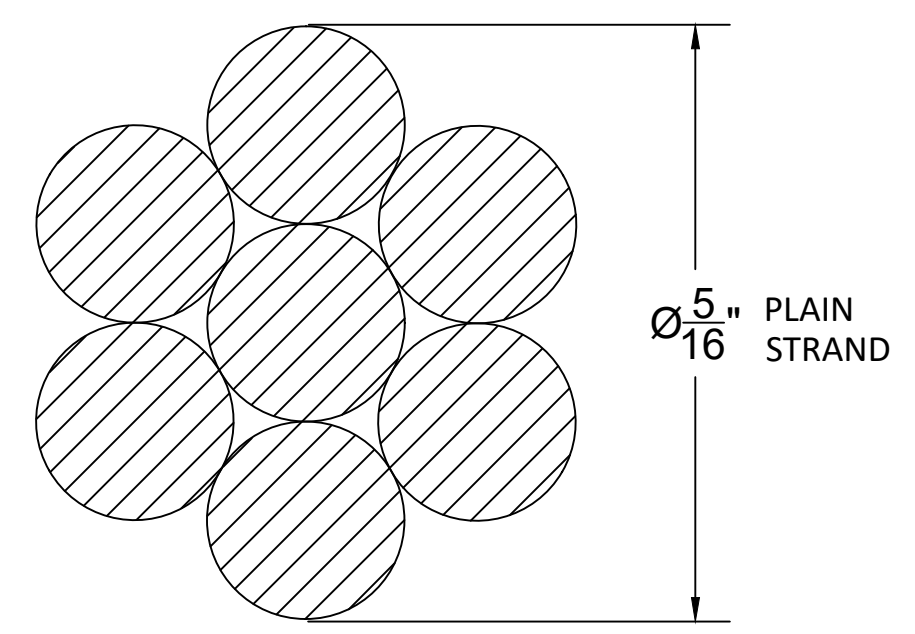
WIRELINE CROSSING
HA 0149.84
41.275479, -75.890528

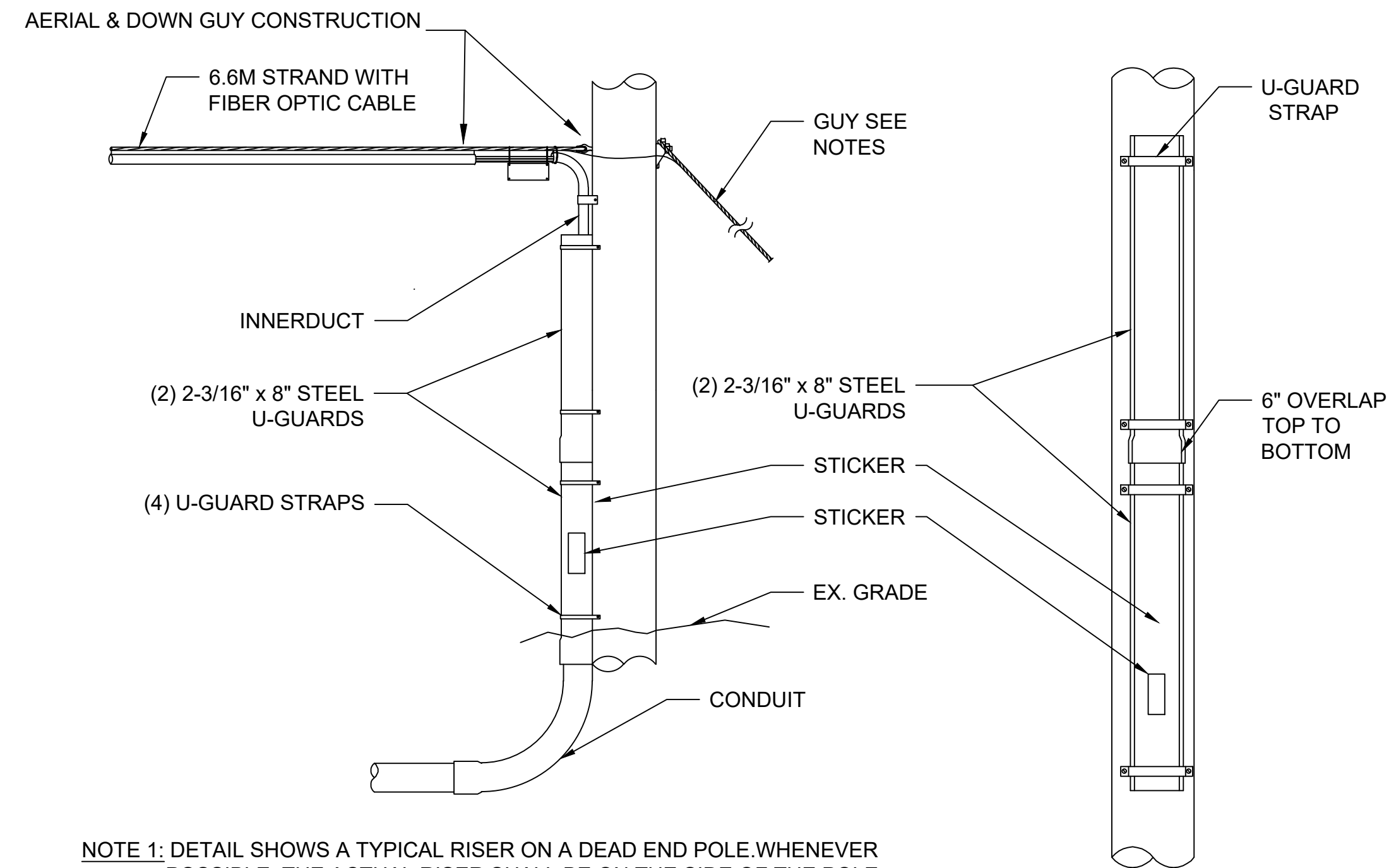
EXISTING POLE
41.275315, -75.890367

LOCATION DATA					SHEET NO.
DISTRICT	COUNTY	ROUTE	SEGMENT	OFFSET	
4	40	1013	0020	16	C-004 OF 9
PROJECT NAME: ----					
ORIGINAL DATE: 22 April 2026					
DRAWING NAME: PROFILE A					
DRAWING SCALE:  Feet					



**RAILROAD CROSSING AERIAL
CLEARANCE (UNION ST LOOKING SOUTH WEST)**





NOTE 1: DETAIL SHOWS A TYPICAL RISER ON A DEAD END POLE. WHENEVER POSSIBLE, THE ACTUAL RISER SHALL BE ON THE SIDE OF THE POLE OPPOSITE THE DIRECTION OF TRAVEL OF VEHICULAR TRAFFIC.

NOTE 2: GUYING AND/OR ANCHORING OF THE AERIAL STRAND PRIOR TO PLACEMENT OF FIBER OPTIC CABLE MUST BE DESIGNED, APPROVED, AND CONSTRUCTED BASED ON ACTUAL FIELD CONDITIONS. THE GUYING METHOD AND/OR CONSTRUCTION SHOWN HERE IS REPRESENTATIONAL ONLY.

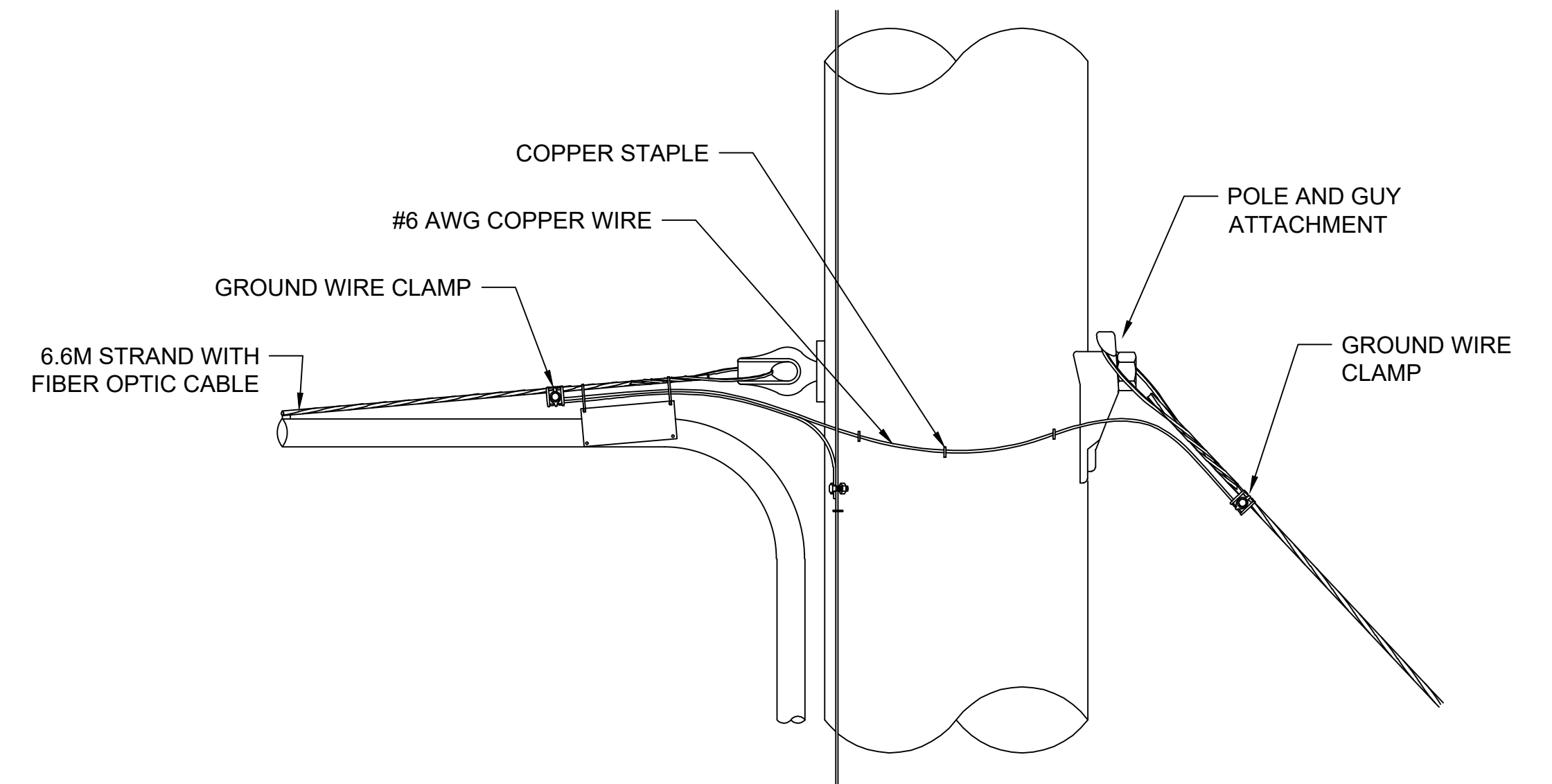
NOTE 3: IF STRAND IS CUT OR BROKEN AT DOWN GUY LOCATION, BOND STRANDS TOGETHER USING #6 AWG COPPER WIRE AND TWO (2) BONDING CLAMPS. SEE DETAIL FOR BONDING AND GROUNDING SPECIFICATIONS.

NOTE 4: EXTENDED U-GUARD TO BE 6" (MIN) BELOW GROUND LEVEL.

NOTE 5: FOR CONDUIT U-GUARD IS TO BE PLACED BELOW SURFACE TO CONDUIT ADAPTOR.

TYPICAL DEADEND POLE ARRANGEMENT FOR AERIAL TO BURIED CABLE

TYPICAL DETAIL N.T.S.



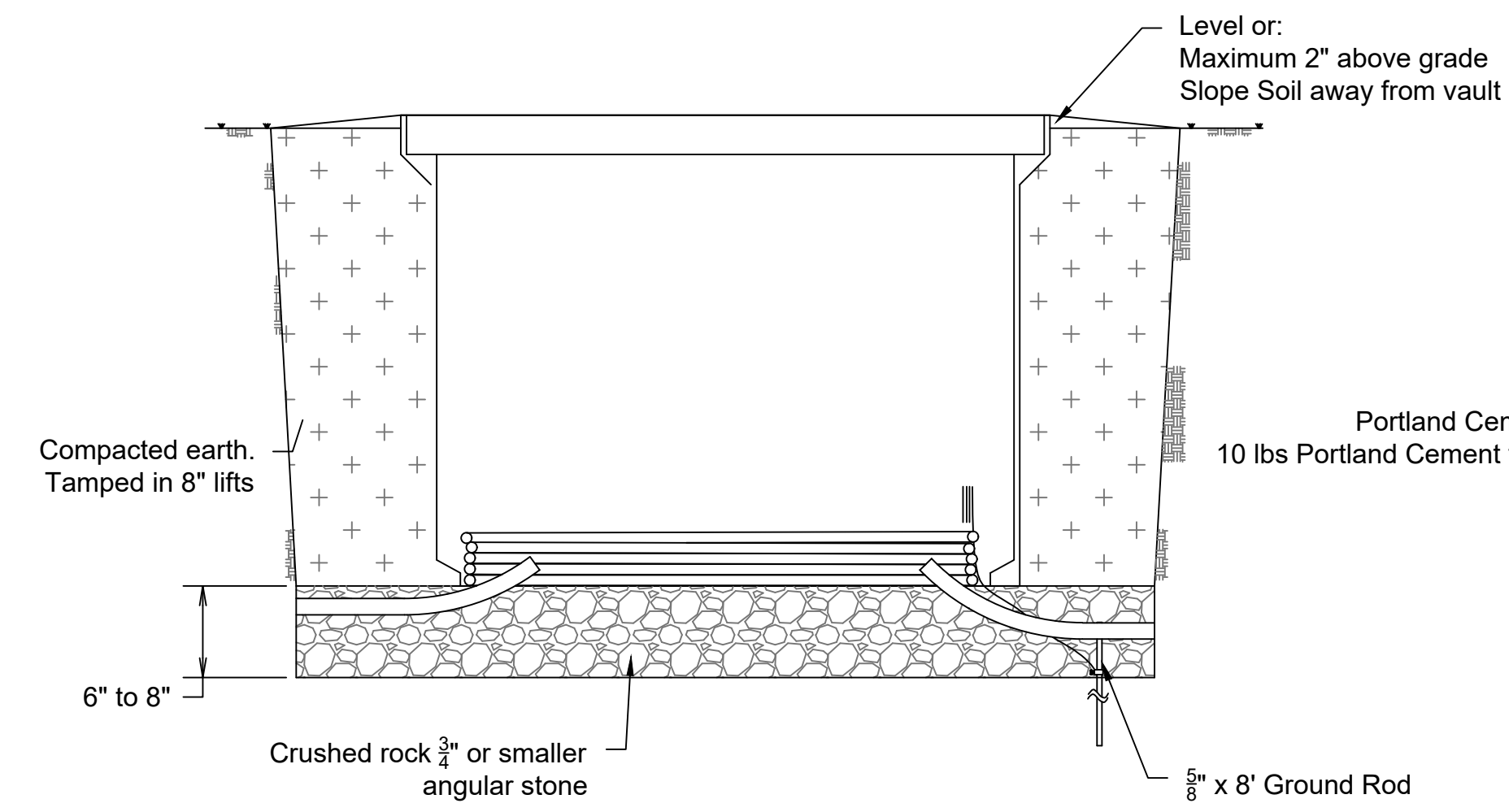
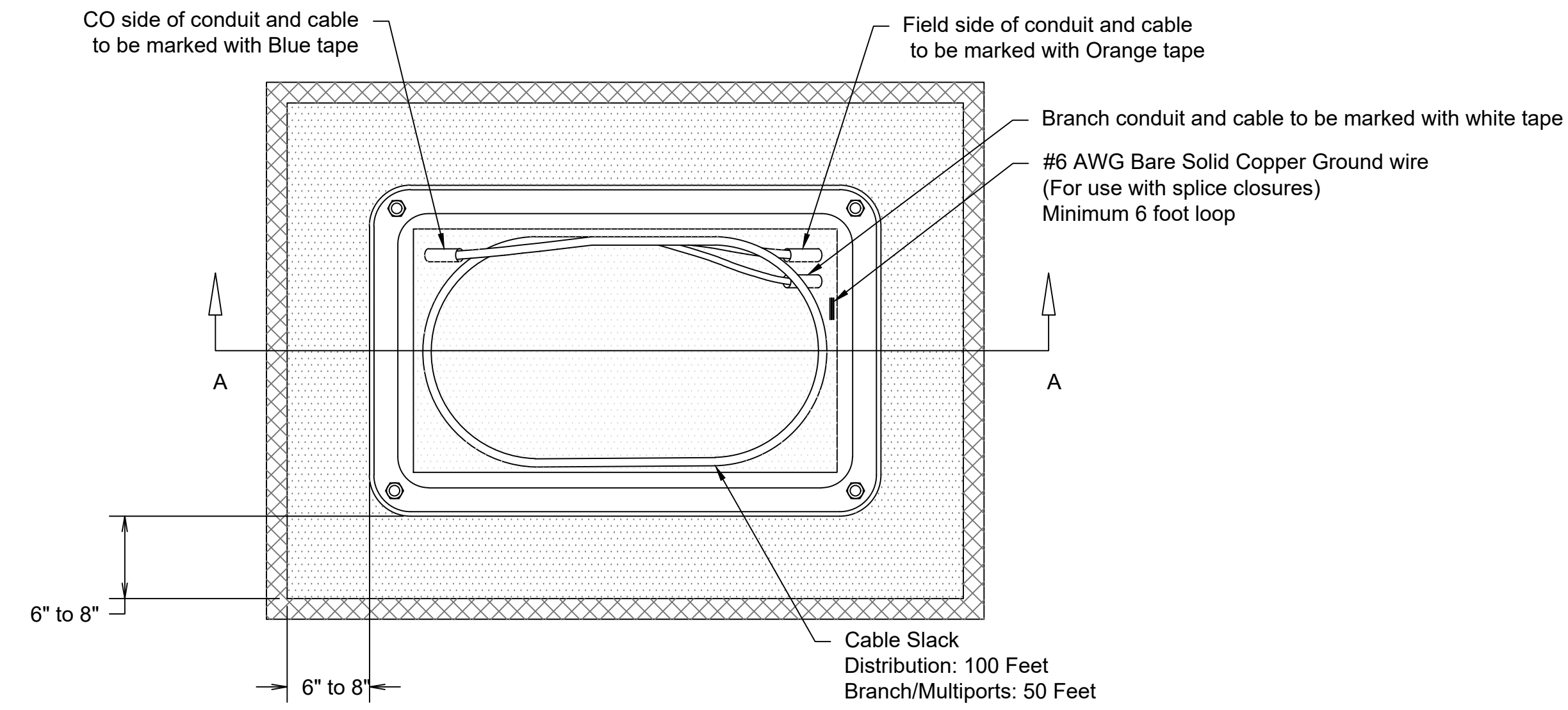
NOTES:

1. ALL STRANDS SHALL BE GROUNDED IN A MANNER AS REQUIRED BY NESC OR GO95 WHICHEVER APPLIES.
2. LOCAL ORDINANCES MAY CHANGE OR SUPERCEDE IN STRINGENCY, ANY NATIONAL OR STATE SPECIFICATIONS.
3. STRAND SHALL BE BONDED TO A VERTICAL GROUND EVERY FIRST, LAST, AND EVERY TENTH POLE (MAXIMUM DISTANCE BETWEEN GROUNDS NOT TO EXCEED 1320'), EVERY DOWN GUY POLE, AND EVERY CROSSOVER/BRANCH POLE IN A MANNER AS SPECIFIED BY EITHER NESC OR GO95, WHICHEVER APPLIES, AND BY THE LOCAL TELEPHONE COMPANY BUT NO LESS THAN THE MINIMUMS ALREADY DESCRIBED.
4. IF STRAND IS CUT OR BROKEN AT DOWN GUY LOCATION, BOND STRANDS TOGETHER USING #6 AWG COPPER WIRE AND TWO (2) BONDING CLAMPS.

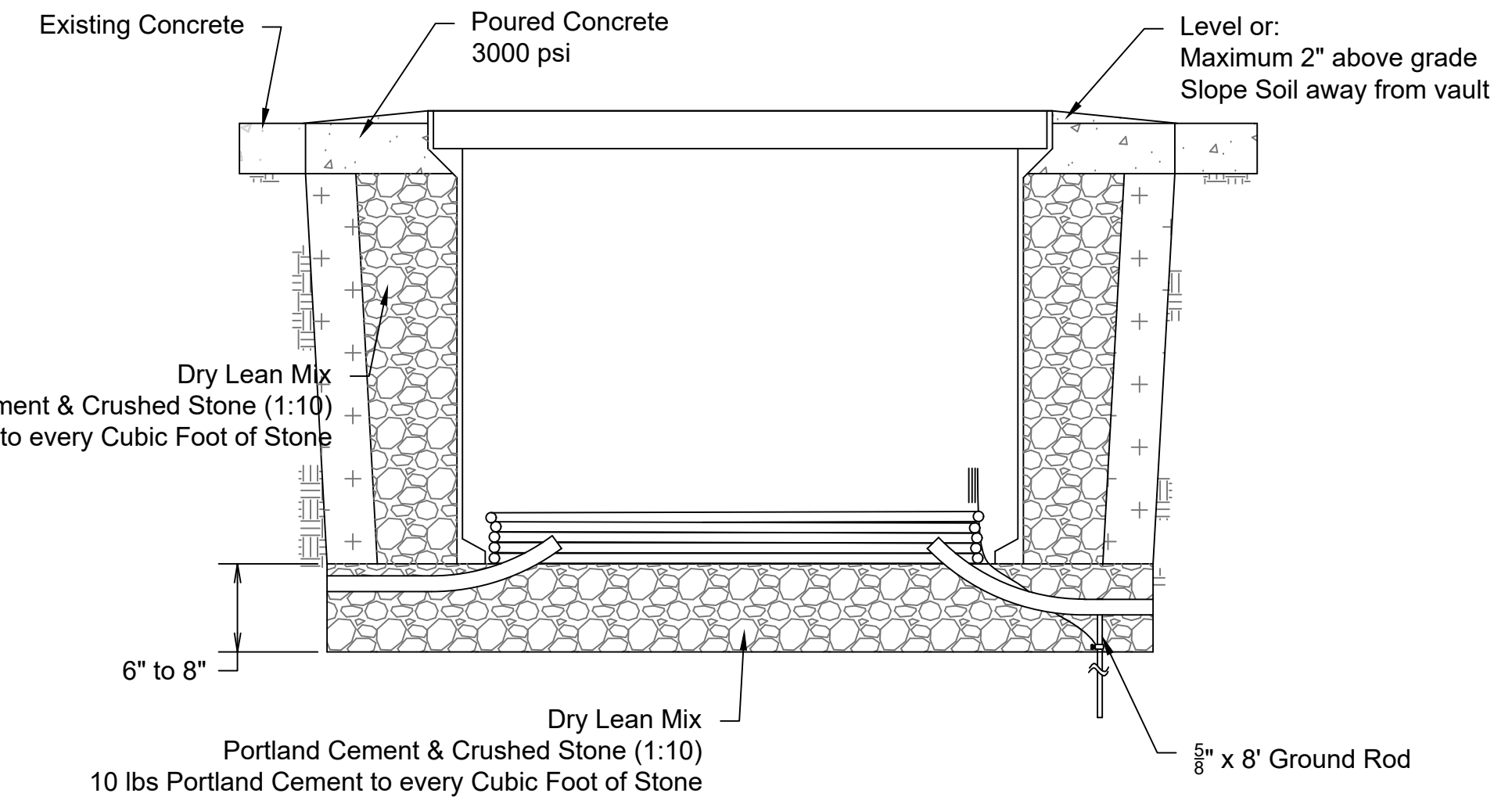
BONDING DETAIL DOWN GUY POLE

TYPICAL DETAIL N.T.S.

TYPICAL DETAILS		SHEET NO.
PROJECT NAME:	----	Z-501 OF 9
ORIGINAL DATE:	22 April 2026	
DRAWING NAME:	Z-502, VAULT DETAILS	

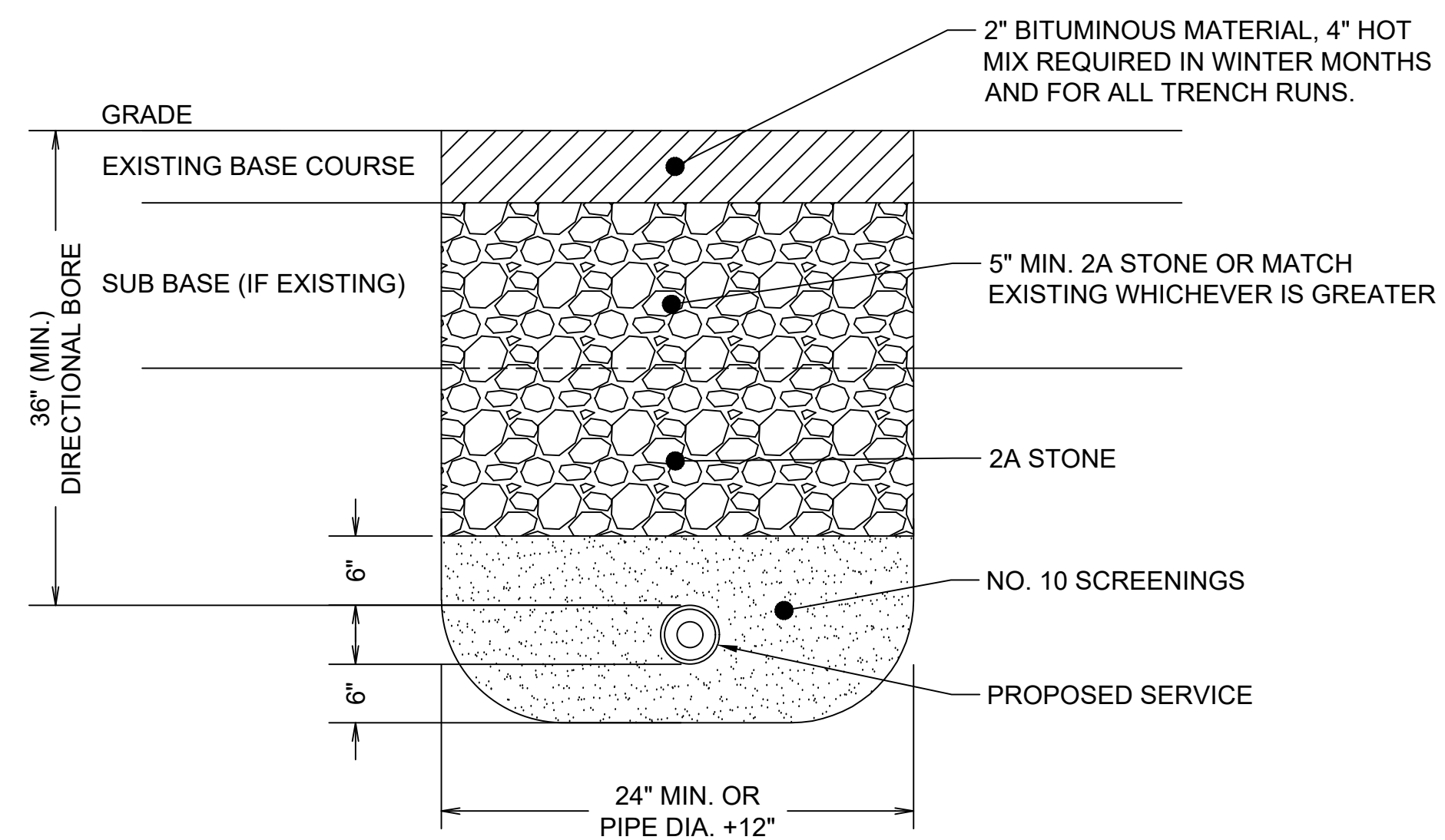


Greenway Installation



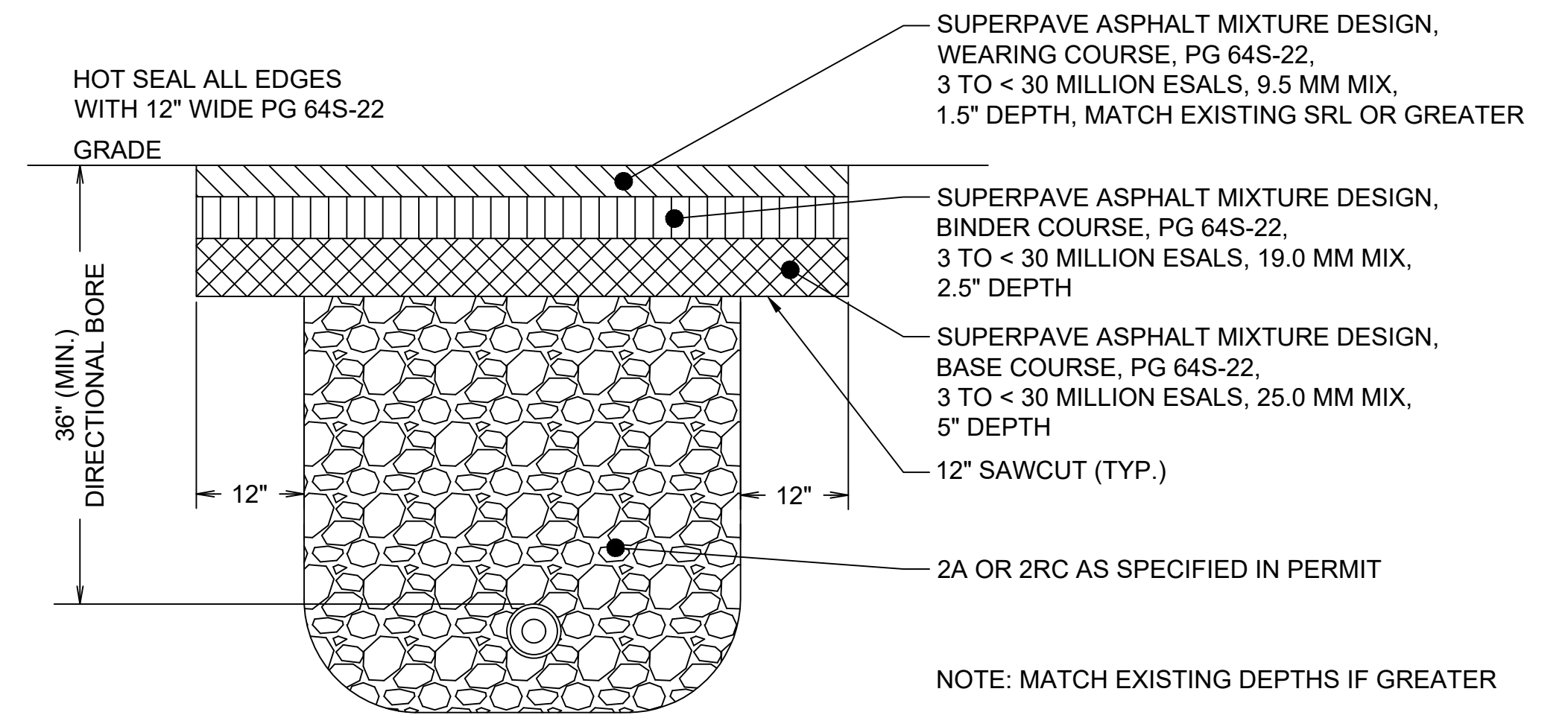
Pavement or Concrete Installation

TYPICAL DETAILS		SHEET NO.
PROJECT NAME:	----	Z-501 OF 9
ORIGINAL DATE:	22 April 2026	
DRAWING NAME:	Z-503, RESTORATION DETAILS	



TEMPORARY PAVEMENT RESTORATION DETAIL

SCALE: NTS

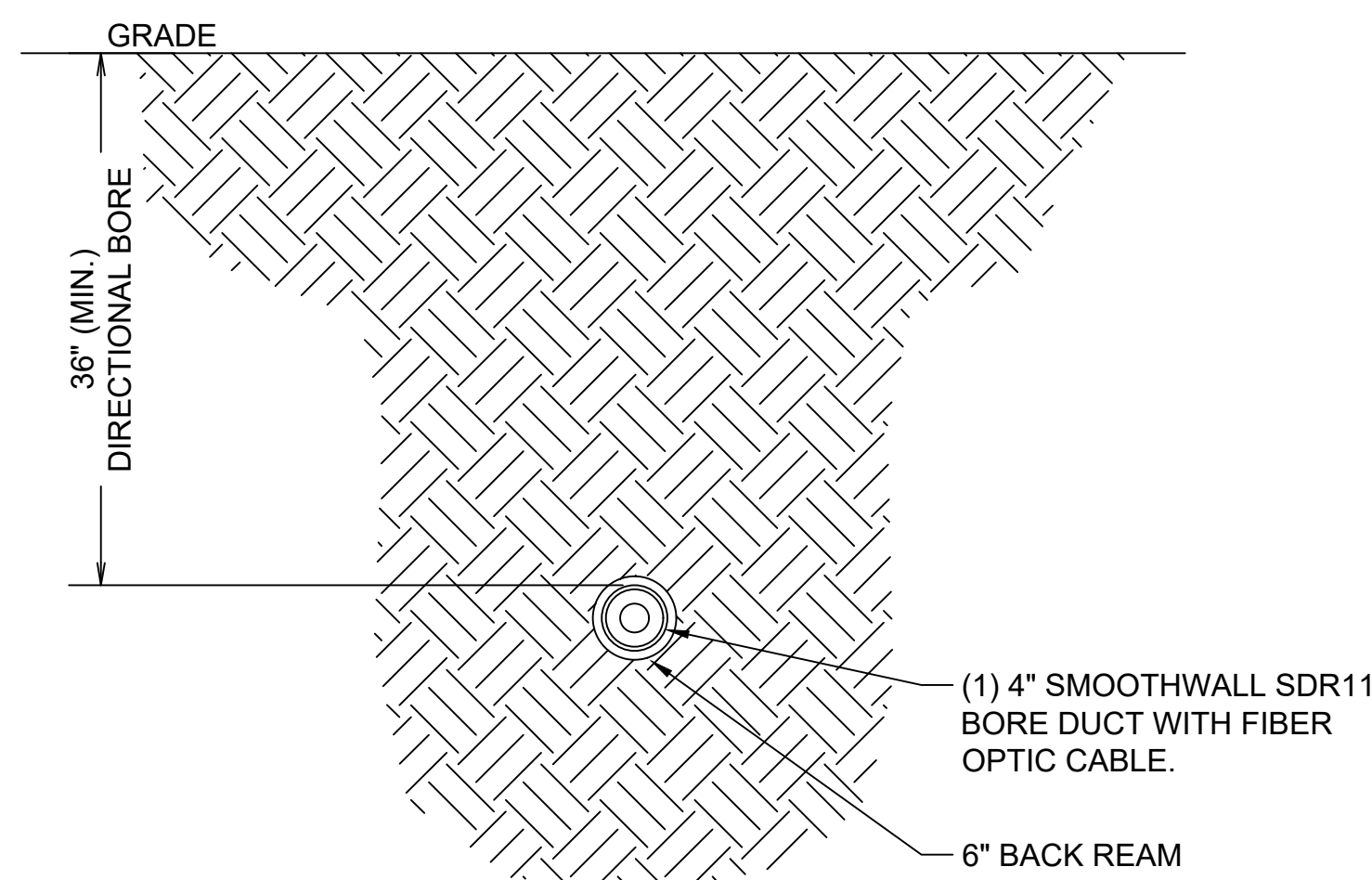


COMMENTS:

1. EXPOSED VERTICAL AND HORIZONTAL SURFACES SHALL BE PREPARED AS PER PUB 408, SECT. 413.3(G).
2. MIN. 12" PAVEMENT CUTBACK. EXCAVATE OLD AND TEMPORARY MATERIAL RECOMPACT SUBBASE, TACK COAT ALL VERTICAL EDGES. INSTALL ONLY BASE COURSE AND BINDER COURSE IN ONE DAY.

FLEXIBLE PAVEMENT RESTORATION DETAIL

SCALE: NTS

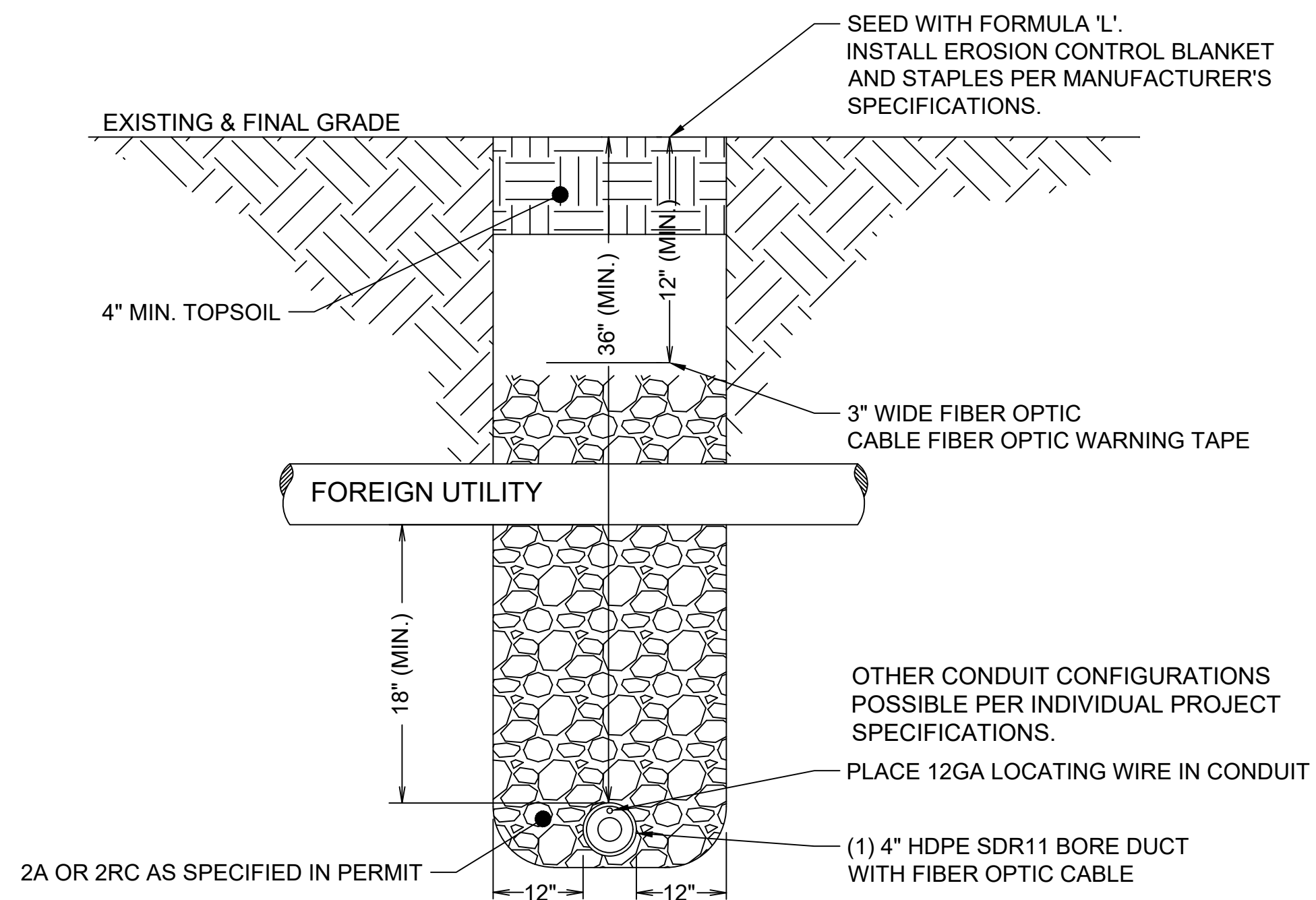


TYPICAL TRENCHLESS DETAIL

PLOWING OR DIRECTIONAL BORE
(1) 4.0" HDPE SDR 11 (SMOOTHWALL)
(GRASS/GRAVEL)

SCALE: NTS

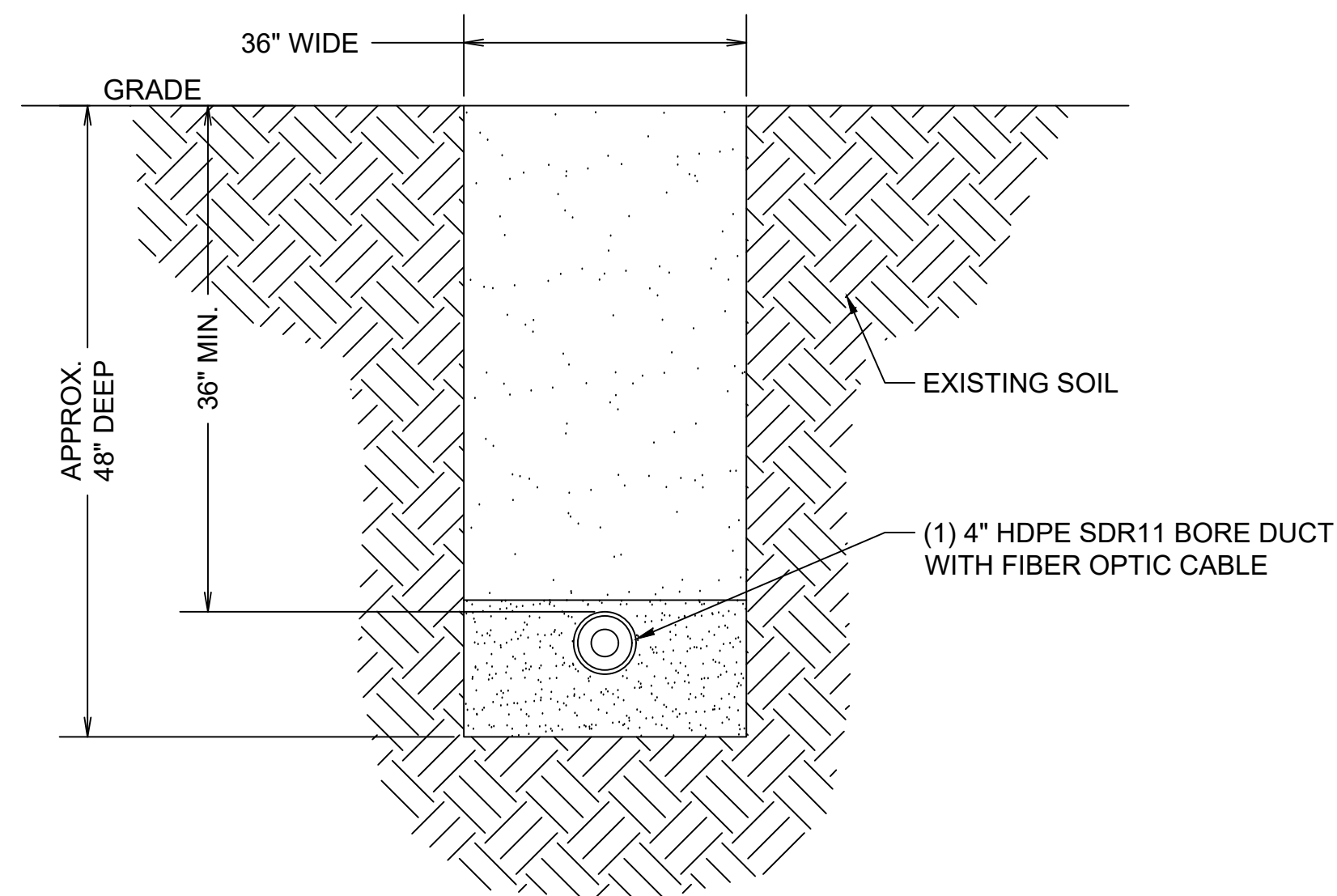
TYPICAL DETAILS		SHEET NO.
PROJECT NAME:	----	Z-501 OF 9
ORIGINAL DATE:	22 April 2026	
DRAWING NAME:	Z-504, PIT DETAILS	



NOTES:
DISTURBED AREA SHALL BE PROMPTLY RESTORED TO THE EXTENT DIRECTED BY THE PERMITTING AUTHORITY AND WITH THE SAME CHARACTER AND MATERIAL, EQUAL IN COMPOSITION TO MATCH THE EXISTING ADJECENT AREA.

TRENCH DETAIL - UNPAVED AREAS

WITH (1) 4.0" I.D. HDPE SDR11 BORE DUCT - CONTAINING FOC
SCALE: NTS

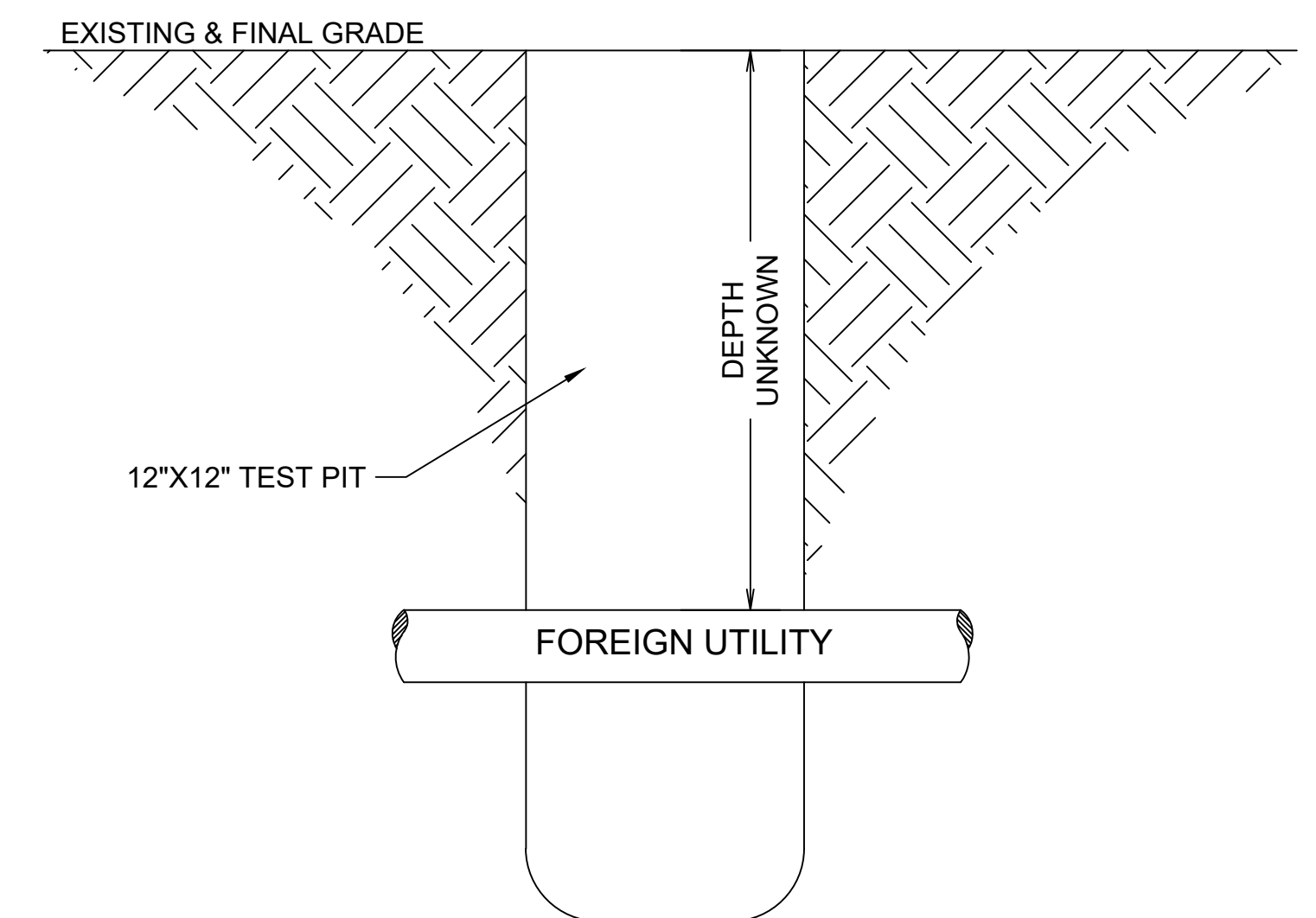


NOTES:

1. LENGTH OF PIT VARIES.
2. EXCAVATED MATERIAL REPLACED WITH 2RC OR 2A COARSE AGGREGATE.
3. MECHANICAL COMPACTION OF 6" LIFTS.
4. HAND DIG WHERE NECESSARY.

TYPICAL BORE PIT DETAIL

WITH (1) 4.0" I.D. HDPE SDR11 BORE DUCT -CONTAINING (1) FOC
(GRASS/GRAVEL)
SCALE: NTS



TYPICAL TEST PIT DETAIL - UNPAVED AREAS

SCALE: NTS