

PLAN PREPARATION

OWNER:
GIGAPOWER
P.O. BOX 179
EAST GREENVILLE, PA 18041

NICOLE ATHERHOLT
DIRECTOR OF NETWORK OPERATIONS
NICOLE.ATHERHOLT@GIGAPOWER.COM

RICH REHAK
OUTSIDE PLANT SUBJECT MATTER EXPERT
RICH.REHAK@GIGAPOWER.COM

DANIEL STELMACK
CONSTRUCTION LEAD - PA
DANIEL.STELMACK@GIGAPOWER.COM
570-589-5533

ENGINEERING FIRM:
4200 CORNING PLACE
CHARLOTTE, NC 28216

EDWIN ROGERS
PROGRAM MANAGER
ROGERSE2@CORNING.COM

EDDIE LOWE
SENIOR OUTSIDE PLANT ENGINEER
LOWEED@CORNING.COM

PERMIT DRAWN BY:
CHRIS SLOCE
SR OSP ENG
SLOCEC3@CORNING.COM

PROJECT INFORMATION

MASTER PROJECT: GIGAPOWER - NEON-LIMA
PROJECT NAME: ----
CORNING PROJECT NUMBER: 1005PA
PPL APPLICATION NUMBER: 310559

FORM FRA F 6180.71 DATA
RAILROAD: DELAWARE LACKAWANNA RAILROAD [DL]
BRANCH OR LINE NAME: CARBONDALE MAIN
RR MILEPOST: 0012.91
NEAREST TIMETABLE STATION: ARCHBALD
TIMETABLE SPEED: N/A

DISTRICT	COUNTY	BOROUGH	ROUTE	SEGMENT	OFFSET	TOTAL SHEETS
4	35	ARCHBALD	1041	0020	----	9
	35	ARCHBALD	1041	0020	----	

PUBLIC UTILITIES COMMISSION RAILROAD PERMIT APPLICATION

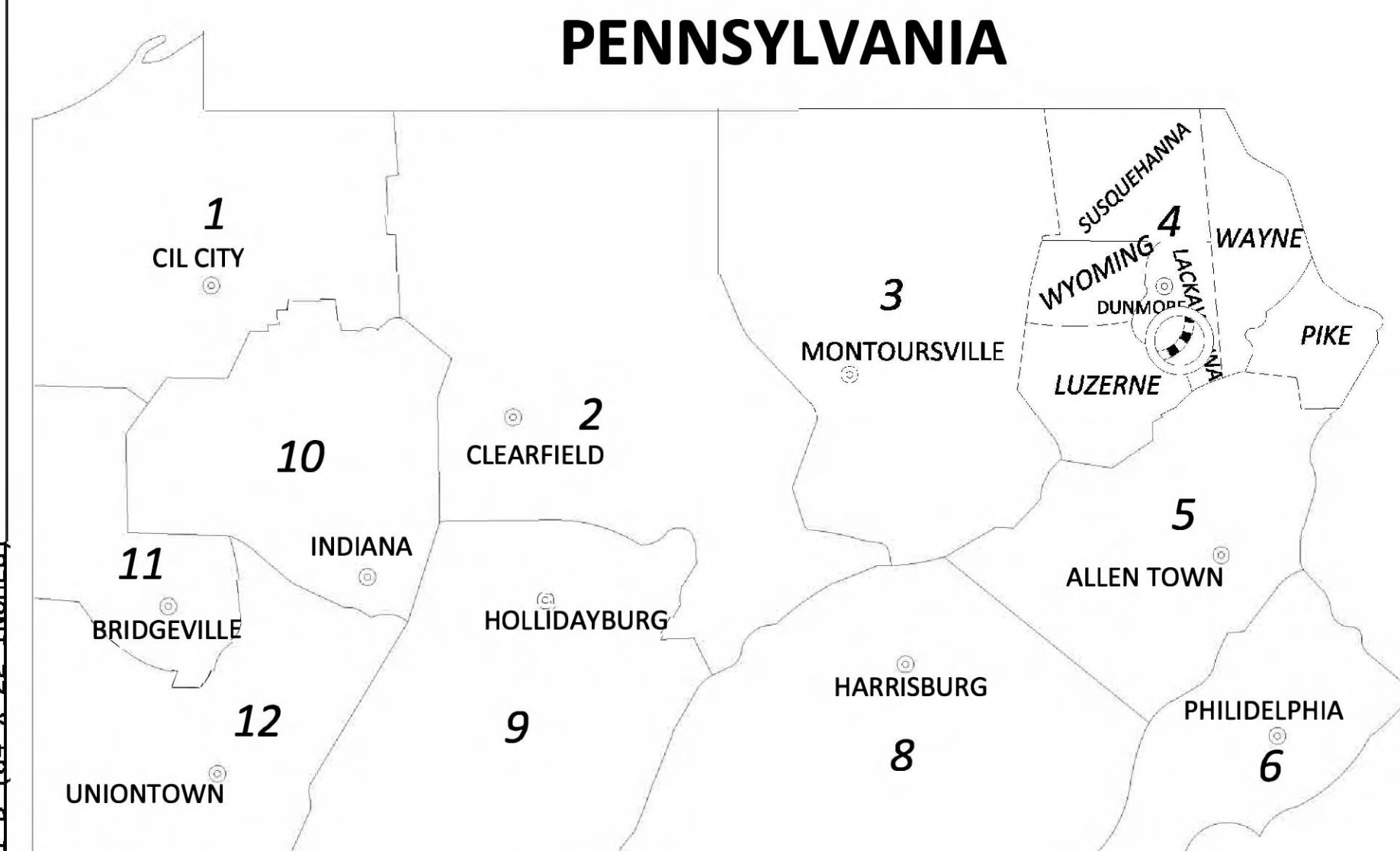
CROSSING NUMBER: 249616R

ROCK ST
ARCHBALD, PA
LACKAWANNA COUNTY

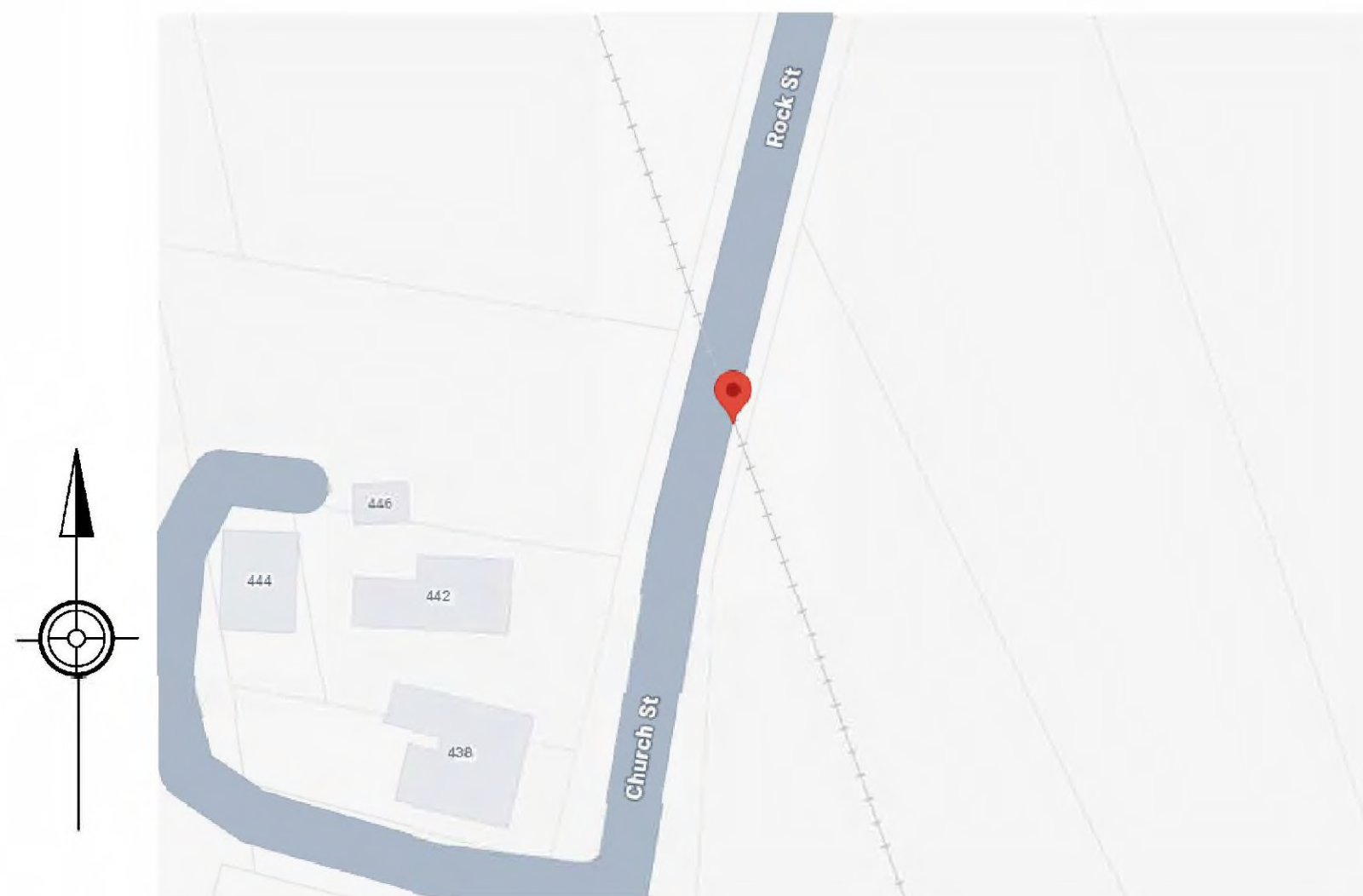
DATE: 03/05/2026

SHEET INDEX	
G-001	COVER SHEET
G-002	NOTES
G-003	LEGEND
C-004	PLAN OVERVIEW
C-005	PROFILE A
C-006	PROFILE B
Z-501	POLE DETAILS

REVISIONS		
REV	DATE	DESCRIPTION



PROJECT LOCATION



LOCATION MAP

NTS

- STATE HWY _____
- BOROUGH STREETS - - - - -
- WATER WAY _____
- PROJECT LIMITS - - - - -

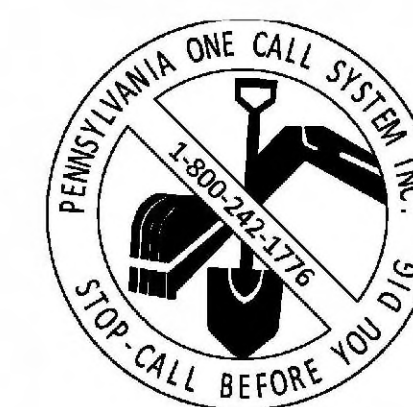
CERTIFIED CORRECT PLANS

Thomas J. Woods
Professional Engineer

Approved by Bureau of Technical Utility Services

PA PUBLIC UTILITY COMMISSION

ATTEST *Matthew L. Henscher* **05/08/2026**
Secretary **Docket: A-2026-3061095**



CALL BEFORE YOU DIG

PENNSYLVANIA LAW REQUIRES 3 TO 10 WORKING DAYS NOTICE FOR CONSTRUCTION PHASE BASED ON PROJECT COMPLEXITY AND 10 WORKING DAYS IN DESIGN STAGE - STOP CALL 1-800-242-1776

THE PA ONE CALL NOTIFICATIONS PERFORMED DURING PROJECT DEVELOPMENT ARE AS FOLLOWS:

PRELIMINARY DESIGN SERIAL NO. (SERIAL NUMBER) ON (DATE) FOR

PLOT DATE: 3/11/2026, ORIGINAL SIZE: ANSI D (34 X 22 INCHES)

DESIGN DESIGNATION

HIGHWAY CLASSIFICATION FREE ACCESS
DESIGN SPEED 25 MPH
PAVEMENT WIDTH 25'
SHOULDER WIDTH 7'

GENERAL PERMIT NOTES:

1. THE EXISTING SPEED LIMIT ON FELLOWS IS 25 M.P.H
2. THE RIGHT-OF-WAY IS 40'.
3. ALL WORK IN PA STATE HIGHWAY RIGHT-OF WAY IS TO BE PERFORMED CONSISTENT WITH THE FOLLOWING:
 - 3.1. PENNDOT PUBLICATION 13M, DESIGN MANUAL PART 2 - HIGHWAY DESIGN
 - 3.2. PENNDOT PUBLICATION NO. 34, APPROVED AGGREGATE PRODUCERS (BULLETIN 14)
 - 3.3. PENNDOT PUBLICATION NO. 35, APPROVED CONSTRUCTION MATERIALS (BULLETIN 15)
 - 3.4. PENNDOT PUBLICATION NO. 41, PRODUCERS OF BITUMINOUS MATERIALS (BULLETIN 41)
 - 3.5. PENNDOT PUBLICATION NO. 42, PRODUCERS OF READY-MIX CONCRETE (BULLETIN 42)
 - 3.6. PENNDOT PUBLICATION NO. 46, TRAFFIC ENGINEERING MANUAL
 - 3.7. PENNDOT PUBLICATION NO. 72M, STANDARDS FOR ROADWAY CONSTRUCTION
 - 3.8. PENNDOT PUBLICATION NO. 111, PAVEMENT MARKINGS AND SIGNING STANDARDS
 - 3.9. PENNDOT PUBLICATION NO. 212, OFFICIAL TRAFFIC CONTROL DEVICES
 - 3.10. PENNDOT PUBLICATION NO. 213, TEMPORARY TRAFFIC CONTROL GUIDELINES
 - 3.11. PENNDOT PUBLICATION NO. 408, SPECIFICATIONS
4. PA STATE HIGHWAY RIGHT-OF-WAY MAY NOT BE USED FOR PARKING.
5. PERMITTEE AND PERMITTEE'S CONTRACTOR IS RESPONSIBLE FOR MAINTENANCE OF ALL AUTHORIZED STRUCTURES, FACILITIES, AND DRAINAGE.
6. PERMITTEE AND PERMITTEE'S CONTRACTOR IS RESPONSIBLE FOR MAINTENANCE OF ALL AUTHORIZED SIGNS AND PAVEMENT MARKINGS.
7. THREE TO TEN WORKING DAYS PRIOR TO EXCAVATION BASED ON THE COMPLEXITY OF THE PROJECT, THE CONTRACTOR MUST CONTACT THE PA ONE CALL SYSTEM, INC., PHONE 1-800-242-1776. SERIAL NO. () FOR THE MUNICIPALITY OF ARCHBALD. ADDITIONAL INFORMATION IS AVAILABLE AT <https://www.pa1call.org/pa811/Public/>.
8. THE CONTRACTOR IS REQUIRED TO NOTIFY THE DEPARTMENT AND SUBMIT AN ALLEGED VIOLATION REPORT (AVR) TO THE PA PUBLIC UTILITY COMMISSION THROUGH THE PA ONE CALL SYSTEM, www.pa1call.org WITHIN TEN (10) BUSINESS DAYS AFTER A UTILITY IS STRUCK, DAMAGED, OR PREVIOUS DAMAGE IS DISCOVERED AS REQUIRED BY PENNSYLVANIA'S UNDERGROUND UTILITY LINE PROTECTION LAW ACT 50 (P.L.852, NO. 287 AMENDED OCT. 30, 2017).
9. IF A TRAFFIC SIGNAL IS WITHIN 500 FEET OF THE SITE, CALL THE DISTRICT TRAFFIC ENGINEER AT LEAST 3 DAYS PRIOR TO THE START OF WORK.
10. ALL PROPOSED PEDESTRIAN FACILITIES REFLECTED ON THESE PLANS, INCLUDING THOSE THAT ARE OUTSIDE OF PENNDOT LEGAL RIGHT-OF-WAY, SHALL BE CONSTRUCTED TO COMPLY WITH THE REQUIREMENTS OF THE U.S. ACCESS BOARD, PUBLIC RIGHT OF WAY ACCESSIBILITY GUIDELINES OF BUILDINGS OF THE ACCESSIBILITY OF BUILDINGS AND FACILITIES (ADAAG, PENNDOT DESIGN MANUAL PART 2, CHAPTER 6, AND PENNDOT STANDARDS FOR ROADWAY CONSTRUCTION (PENNDOT PUBLICATION 7M, RC-67M) PROVIDE GUIDANCE ON ADA ACCESSIBLE DESIGN FOR PEDESTRIAN FACILITIES AND CAN BE UTILIZED FOR REFERENCE.
11. CONSTRUCT ALL PROPOSED PEDESTRIAN FACILITIES ON THESE PLANS TO COMPLY WITH THE AMERICANS WITH DISABILITIES ACT, PUBLIC RIGHT-OF-WAY ACCESSIBILITY GUIDELINES (PROWAG), AND THE 2010 ADA STANDARDS.
12. IT IS THE RESPONSIBILITY OF THE PERMITTEE AND PERMITTEE'S CONTRACTOR TO REMOVE AND DEBRIS AND FLUSH OUT ALL EXISTING AND NEW STORM DRAINAGE FACILITIES WITHIN THE PROJECT LIMITS AT THE COMPLETION OF CONSTRUCTION.

MAINTENANCE AND PROTECTION OF TRAFFIC (MPT) NOTES:

1. THIS WORK CONSISTS OF MAINTENANCE AND PROTECTION OF TRAFFIC AND THE PROTECTION OF THE PUBLIC WHEN APPROACHING AND DEPARTING THE CONSTRUCTION AREA AND WITHIN THE LIMITS OF CONSTRUCTION.
2. FURNISH, ERECT, PLACE AND MAINTAIN TRAFFIC CONTROL SIGNS AND DEVICES. MAINTAIN TRAFFIC DURING HOURS OF CONSTRUCTION AND ALL OTHER TIMES CONSISTENT WITH THE METHODS INDICATED ON THESE DRAWINGS AND THE FOLLOWING:
 - 2.1. PENNDOT PUBLICATION 35, APPROVED CONSTRUCTION MATERIALS (BULLETIN 15)
 - 2.2. PENNDOT PUBLICATION 46, TRAFFIC ENGINEERING MANUAL
 - 2.3. PENNDOT PUBLICATION 72M, STANDARDS FOR ROADWAY CONSTRUCTION
 - 2.4. PENNDOT PUBLICATION 111, PAVEMENT MARKINGS AND SIGNAGE STANDARDS
 - 2.5. PENNDOT PUBLICATION 212, OFFICIAL TRAFFIC CONTROL DEVICES
 - 2.6. PENNDOT PUBLICATION 213, TEMPORARY TRAFFIC CONTROL GUIDELINES
 - 2.7. PENNDOT PUBLICATION 236, HANDBOOK OF APPROVED DESIGNS
 - 2.8. PENNDOT PUBLICATION 408, SPECIFICATIONS
 - 2.9. MUTCO, CURRENT EDITION
3. REMOVE THESE DEVICES IMMEDIATELY AFTER UPON COMPLETION OF THE WORK, PENNDOT WILL REMOVE ANY TRAFFIC CONTROL DEVICES ERECTED BY DEPARTMENT FORCES.
4. PERMITTEE MUST ARRANGE FOR INSPECTION OF ALL DEVICES PRIOR TO START OF WORK.
5. COVER OR REMOVE ALL CONFLICTING SIGNS AND ERADICATE ALL CONFLICTING PAVEMENT MARKINGS.
6. MOUNT ALL LONG-TERM ADVANCED WARNING SIGNS ON TYPE III BARRICADES UNLESS OTHERWISE NOTED OR INSTRUCTED BY DISTRICT OFFICE.
7. ALL SIGNS AND DEVICES TO BE MAINTAINED IN NEW OR LIKE NEW CONDITION.
8. DRIVEWAYS WILL BE KEPT ACCESSIBLE AT ALL TIMES, LOCATE ALL SIGNS SO THAT SIGHT DISTANCE WILL NOT BE OBSTRUCTED AT DRIVEWAYS AND LOCAL ROADS.
9. ALL CHANNELIZING DEVICES, BARRICADES, AND SIGNS SHALL HAVE TYPE III OR BETTER PRISMATIC RETROREFLECTIVE SHEETING. SHEETING SHALL BE APPROVED AND LISTED IN PENNDOT PUBLICATION 35 (BULLETIN 15).
10. NO TRAFFIC RESTRICTIONS OR LANE CLOSURES ARE PERMITTED BETWEEN 6:00 AM AND 9:00 AM AND BETWEEN 3:00 PM AND 6:00 PM MONDAYS THROUGH FRIDAYS OR ON LEGAL HOLIDAYS AND WEEKENDS ASSOCIATED WITH LEGAL HOLIDAYS. ALL RESTRICTIONS AND CLOSURES ARE TO BE REMOVED BY NOON ON THE DAY PRIOR TO A LEGAL HOLIDAY.
11. PERMITTEE SHALL NOTIFY LOCAL EMERGENCY AUTHORITIES (E.G., POLICE, FIRE, MEDICAL,) AFFECTED BUSINESSES, SCHOOL DISTRICTS, THE GENERAL PUBLIC, THE DISTRICT PERMIT MANAGER AND THE DISTRICT AREAS COORDINATOR AT LEAST FOURTEEN (14) DAYS PRIOR TO SIGNIFICANT TRAFFIC IMPACTS (E.G., LATERAL WIDTH RESTRICTIONS LESS THAN 16 FEET, DETOURS).
12. MAINTENANCE OF AND PROTECTION OF TRAFFIC DURING CONSTRUCTION SHALL BE IN ACCORDANCE WITH THE APPLICABLE PATA DRAWINGS 107. IN THE CURRENT PENNDOT PUBLICATION 213, "TEMPORARY TRAFFIC CONTROL GUIDELINES."
13. DROP OFFS CREATED BY CONSTRUCTION OPERATIONS SHALL BE TREATED CONSISTENT WITH PUBLICATION 408, SECTION 901.31J).
14. REMOVE ALL SHORT TERM WORK ZONE TRAFFIC CONTROL SIGNING UPON COMPLETION OF THAT DAY'S WORK PERIOD.
15. RESTRICTING TRAFFIC FLOW WITHIN THE WORK AREA SHALL BE MINIMIZED TO PREVENT TRAFFIC CONGESTION AND UNSAFE TRAFFIC CONDITIONS.
16. NOTIFY THE LOCAL MUNICIPALITY WHERE SIGNALIZED INTERSECTIONS FALL WITHIN THE WORK ZONE. DO NOT FLAG A SIGNALIZED INTERSECTION WITHOUT THE MUNICIPALITY PLACING THE SIGNAL ON FLASH.
17. THE CONTRACTOR SHALL COMPLY WITH ACT 229 OF DECEMBER 2002 DURING CONSTRUCTION ACTIVITIES WITHIN THE PENNDOT RIGHT-OF-WAY.
18. ALL FLAGGERS TO WEAR YELLOW/GREEN ANSI II APPAREL AND LEGGINGS. ANSI III APPAREL IS REQUIRED DURING HOURS OF DARKNESS FOR ALL HIGHWAY WORKERS.

PROJECT NAME: ----

SHEET NAME: GENERAL NOTES

DATE: 4 March 2026

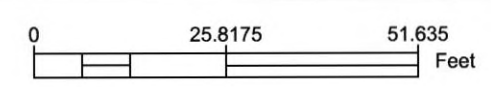
SHT NO. G-002

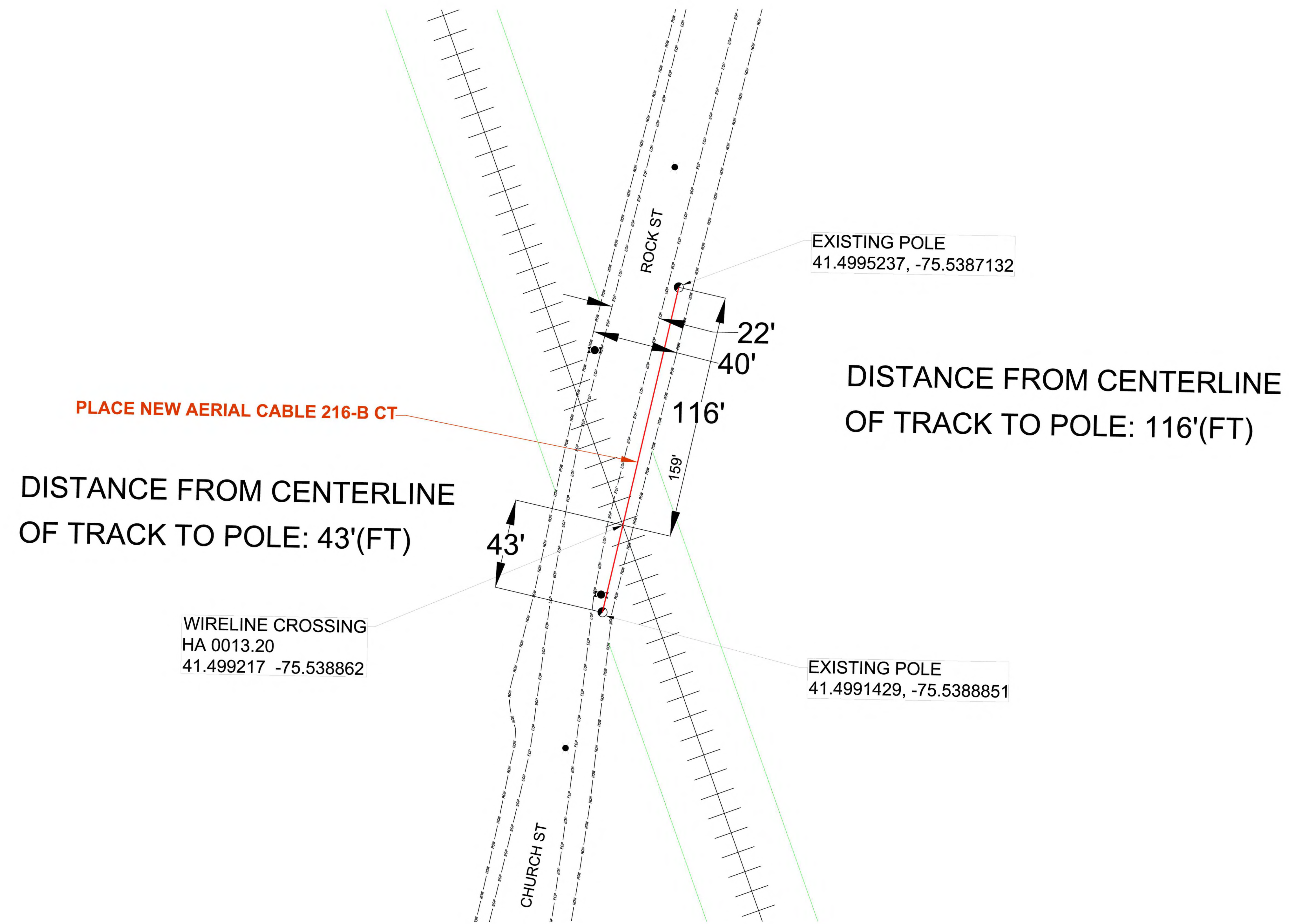
LEGEND

<u>LINES</u>		<u>UTILITIES</u>	
<i>-PROPOSED</i>			
	FO	FIBER OPTIC - AERIAL	
	FODB	FIBER OPTIC - DIRECT BURIED	
	FOU	FIBER OPTIC - UNDERGROUND	
	FO(S)	FIBER OPTIC - SLACK SPAN	
	>>	FIBER OPTIC - OVERHEAD GUY	
))	FIBER OPTIC - POLE TO POLE GUY	
	COND	CONDUIT	
<i>-EXISTING</i>			
	T	TELEPHONE - AERIAL	
	TU	TELEPHONE - UNDERGROUND	
	CTV	CABLE TV - AERIAL	
	CTVU	CABLE TV - UNDERGROUND	
	E	ELECTRIC - AERIAL	
	EU	ELECTRIC - UNDERGROUND	
	W	WATER	
	SS	SANITARY SEWER	
	SW	STORM WATER	
	G	GAS	
<u>OTHER</u>			
		RIGHT-OF-WAY	
		CENTER LINE OF ROAD	
		EDGE OF PAVEMENT	
		WATER WAY	
		GUIDE RAIL	
		MUNICIPAL BOUNDARY	

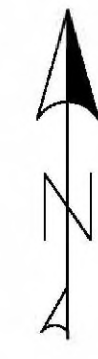
<u>SYMBOLS</u>	
	<i>-PROPOSED</i>
	UTILITY POLE - CUSTOMER - OWNED
	DOWN GUY - ANCHOR
	DOWN GUY - SIDEWALK
	HANDHOLE - FIBER OPTIC
	CORE BORE, UTILITY IDENTIFICATION
<i>-EXISTING</i>	
	UTILITY POLE
	HANDHOLE - TELEPHONE
	HANDHOLE - CABLE TV
	HANDHOLE - ELECTRIC
	HANDHOLE - UNKNOWN
	STORM WATER GRATE
	MANHOLE - TELEPHONE
	MANHOLE - CABLE TV
	MANHOLE - ELECTRIC
	MANHOLE - SANITATION
	MANHOLE - WATER
	MANHOLE - UNKNOWN
	METER/VALVE - GAS
	FIRE HYDRANT
	TRAFFIC SIGNAL
	TRAFFIC SIGN
	RAILROAD CROSSING - SIGN
	RAILROAD CROSSING - SIGNAL
	RAILROAD CROSSING - GATE
	BENCHMARK
	CULVERT
	BRIDGE

<u>ABBREVIATIONS</u>		<u>ABBREVIATIONS</u>	
ABANDONED	ABD	LINEAR FOOT	LT
ASPHALT	ASPH	LOW POINT OF SAG	LOP
AVENUE	AVE	MANHOLE	MH
BEARING	BRG	MILES PER HOUR	MPH
BENCH MARK	BM	MONUMENT	MON
BITUMINOUS	BIT	OFFSET	OFF
BLACK	BLK	ORANGE	ORN
BOULEVARD	BLVD	OUTSIDE DIAMETER	OD
BRIDGE OCCUPANCY LICENSE	BOL	PAVEMENT	PAV'T
CAST IRON PIPE	CIP	PERMANENT	PERM
CONCRETE PIPE	CP	POINT	PT
CONDUIT	COND	POWER POLE	PP
CONTROL POINT	CTP	PROJECT	PROJ
COORDINATE	COORD	PROPERTY LINE	PL
COUNTY	CO	RAILWAY	RW
DIAMETER	DIA OR Ø	RAILROAD	RR
EDGE OF CONCRETE	EC	REINFORCED CONCRETE PIPE	RCP
EDGE OF PAVEMENT	EP	REVISION	REV
ELEVATION	EL	RIGHT-OF-WAY	R/W
EXISTING	EXIST	ROAD	RD
FEET	FT OR '	ROUTE	RTE
FIBER OPTIC	FO	SANITARY SEWER	SAN S
FIBER OPTIC CABLE	FOC	SEGMENT	SEG
FIGURE	FIG	SHEET	SHT
FINISHED GRADE	FG	SHOULDER	SHLDR
FIRE HYDRANT	FH	SIDEWALK	SDWK
FOOT	FT OR '	STANDARD	STD
GENERAL	GENL	STATE ROUTE	SR
GUIDE RAIL	GR	STATION	STA
HANDHOLE	HH	STREET	ST
HEIGHT OF ATTACHMENT	HOA	STEEL	STL
HIGHWAY	HWY	TELEPHONE POLE	TP
HIGHWAY OCCUPANCY PERMIT	HOP	TEMPORARY	TERM
HORIZONTAL	HOR	TEST PIT	TP
HORIZONTAL DIRECTIONAL DRILL	HDD	TOP OF CURB	TC
INCH	IN OR "	TOP OF RAIL	TR
INSIDE DIAMETER	ID	VARIABLE	VAR
IRON PIPE	IP	VERTICAL	VERT
LENGTH	LGTH	WALK	WK
LIMITED ACCESS	LA	WORK ZONE TRAFFIC CONTROL	WZTC

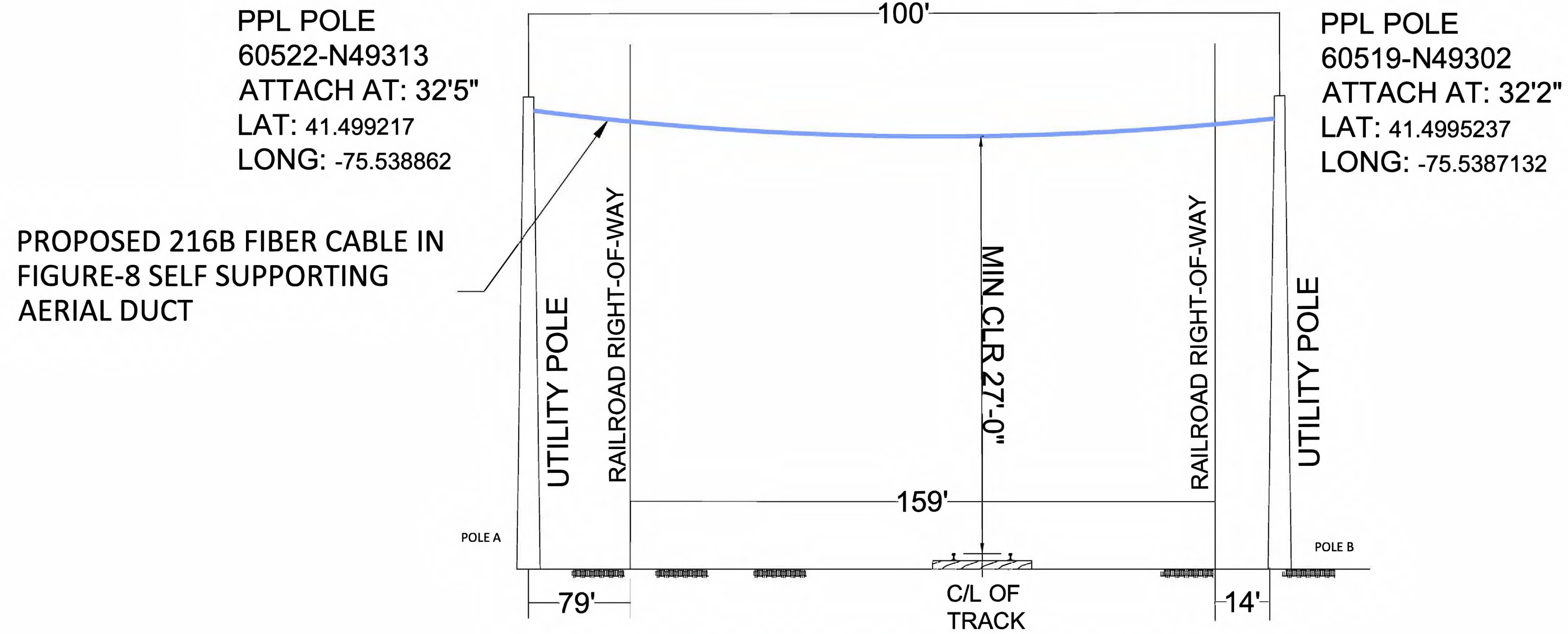
LOCATION DATA					SHEET NO.
DISTRICT	COUNTY	ROUTE	SEGMENT	OFFSET	
4	35	1041	0020	----	C-004 OF 9
PROJECT NAME: ----					
ORIGINAL DATE: 4 March 2026					
DRAWING NAME: Plan View					
DRAWING SCALE:  Feet					



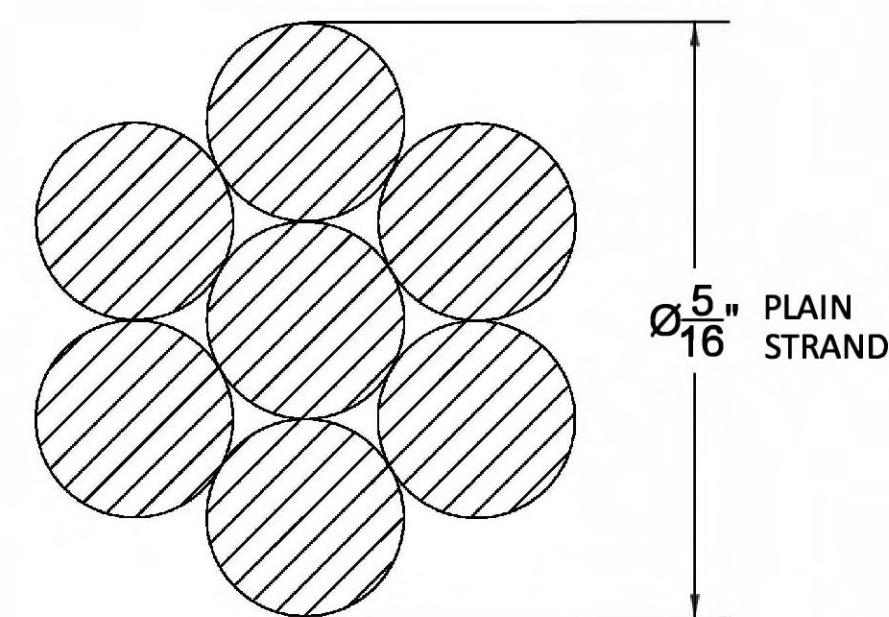
LOCATION DATA					SHEET NO.
DISTRICT	COUNTY	ROUTE	SEGMENT	OFFSET	C-005 OF 9
4	35	1041	0020	----	
PROJECT NAME: ----					
ORIGINAL DATE: 4 March 2026					
DRAWING NAME: PROFILE A					
DRAWING SCALE:					



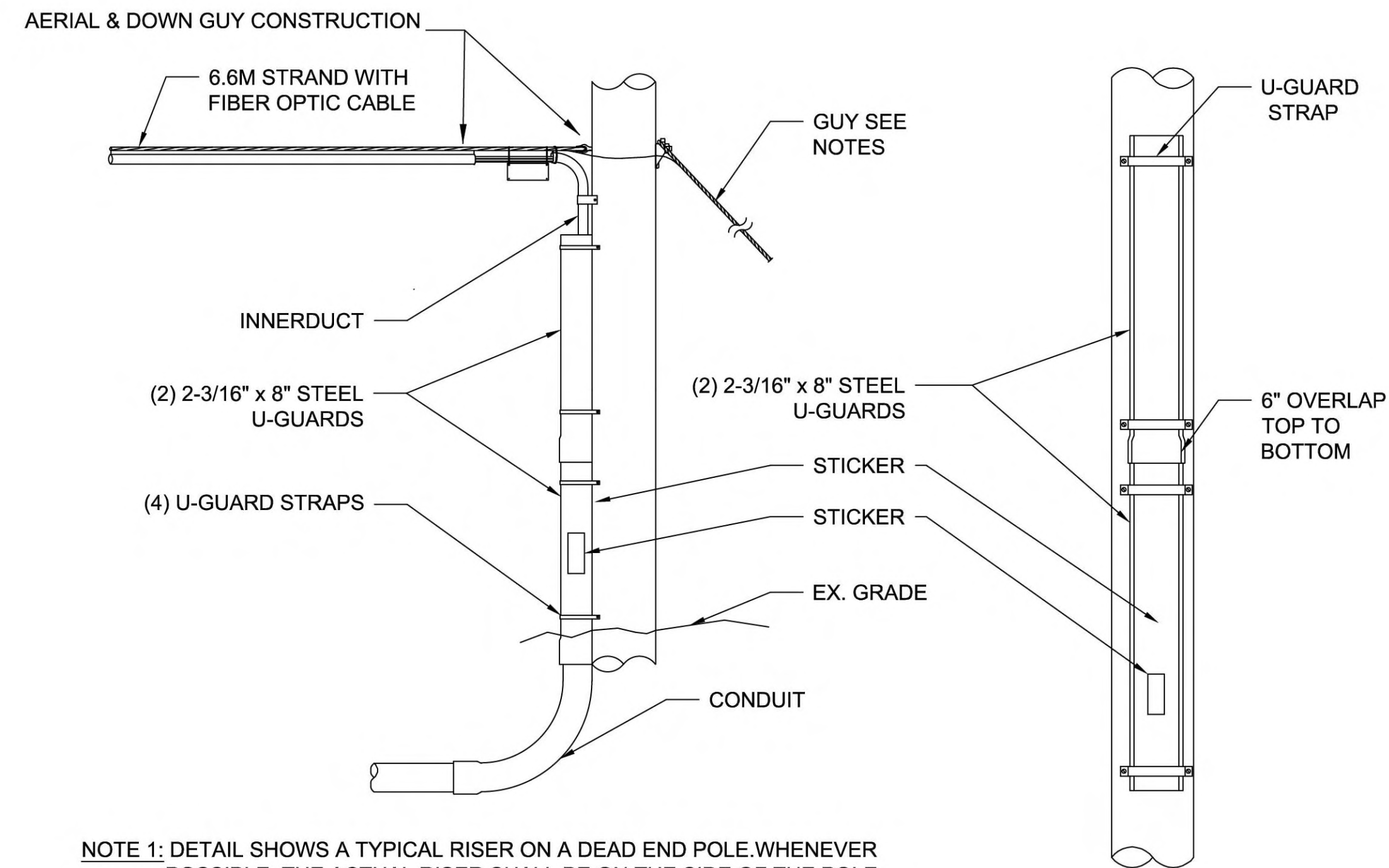
AERIAL RR PROFILE A



RAILROAD CROSSING AERIAL CLEARANCE (ROCK ST LOOKING EAST)



A1 POLE A TO B
Scale: 1:4



NOTE 1: DETAIL SHOWS A TYPICAL RISER ON A DEAD END POLE. WHENEVER POSSIBLE, THE ACTUAL RISER SHALL BE ON THE SIDE OF THE POLE OPPOSITE THE DIRECTION OF TRAVEL OF VEHICULAR TRAFFIC.

NOTE 2: GUYING AND/OR ANCHORING OF THE AERIAL STRAND PRIOR TO PLACEMENT OF FIBER OPTIC CABLE MUST BE DESIGNED, APPROVED, AND CONSTRUCTED BASED ON ACTUAL FIELD CONDITIONS. THE GUYING METHOD AND/OR CONSTRUCTION SHOWN HERE IS REPRESENTATIONAL ONLY.

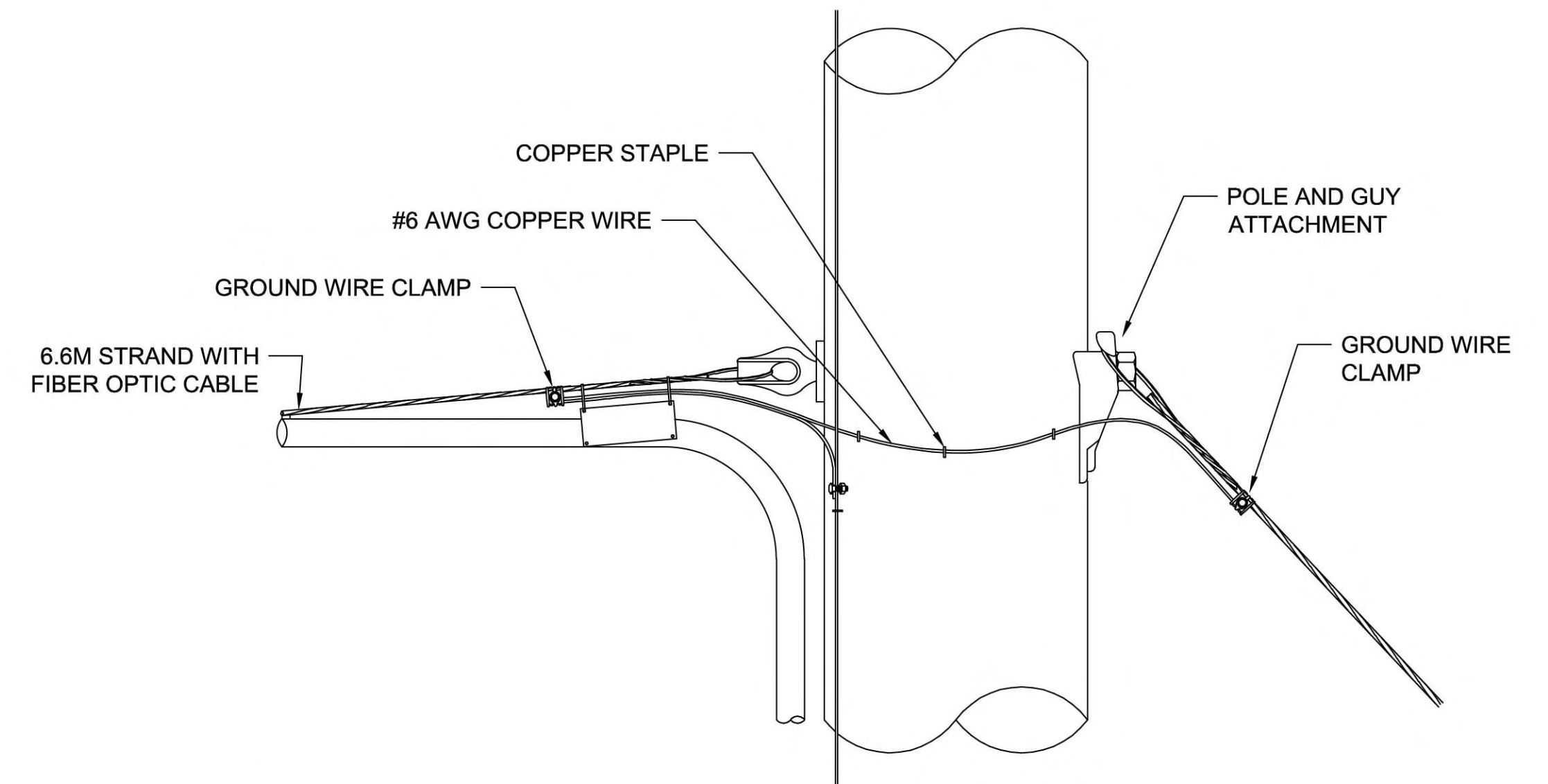
NOTE 3: IF STRAND IS CUT OR BROKEN AT DOWN GUY LOCATION, BOND STRANDS TOGETHER USING #6 AWG COPPER WIRE AND TWO (2) BONDING CLAMPS. SEE DETAIL FOR BONDING AND GROUNDING SPECIFICATIONS.

NOTE 4: EXTENDED U-GUARD TO BE 6" (MIN) BELOW GROUND LEVEL.

NOTE 5: FOR CONDUIT U-GUARD IS TO BE PLACED BELOW SURFACE TO CONDUIT ADAPTOR.

TYPICAL DEADEND POLE ARRANGEMENT FOR AERIAL TO BURIED CABLE

TYPICAL DETAIL N.T.S.



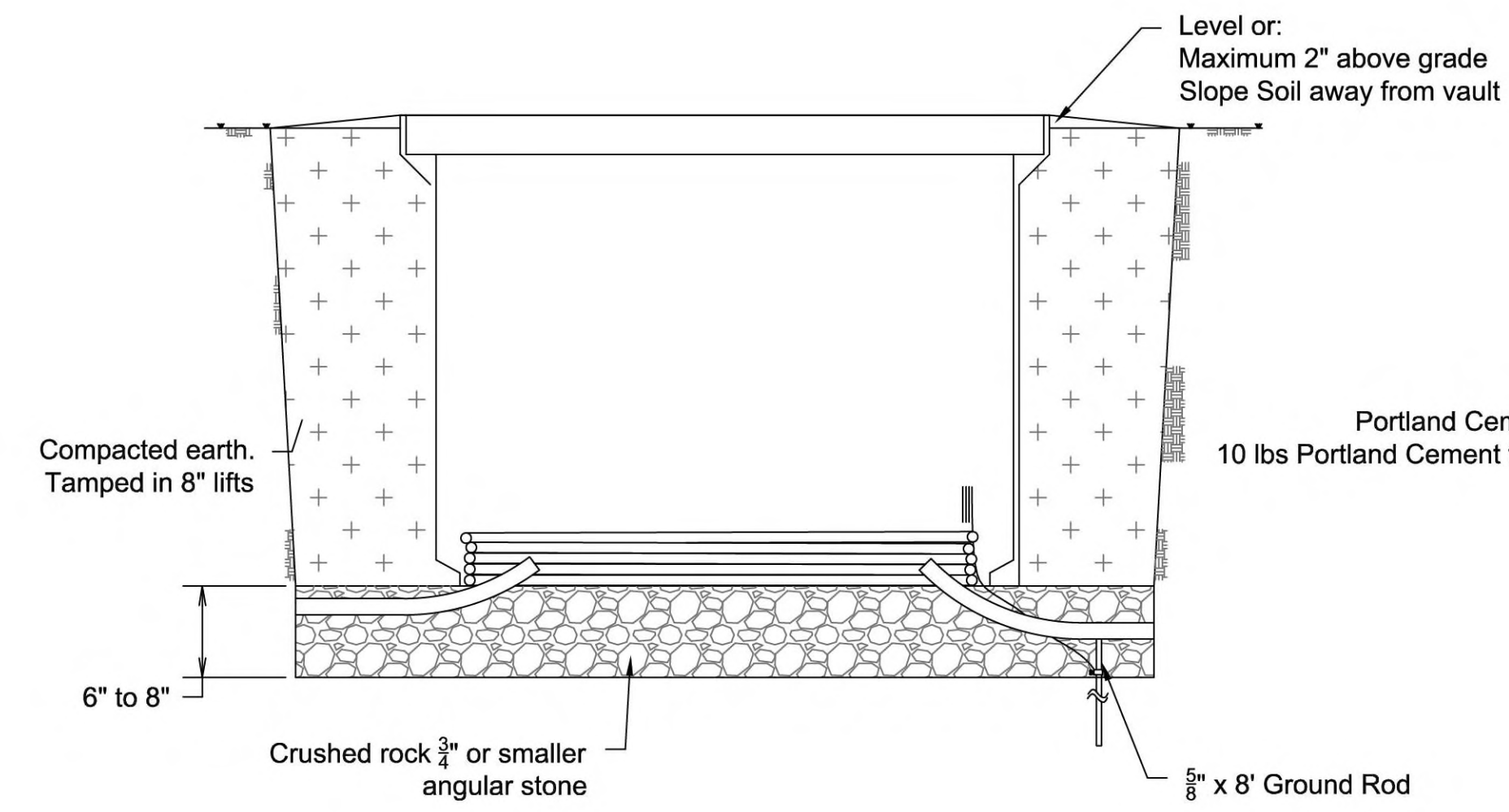
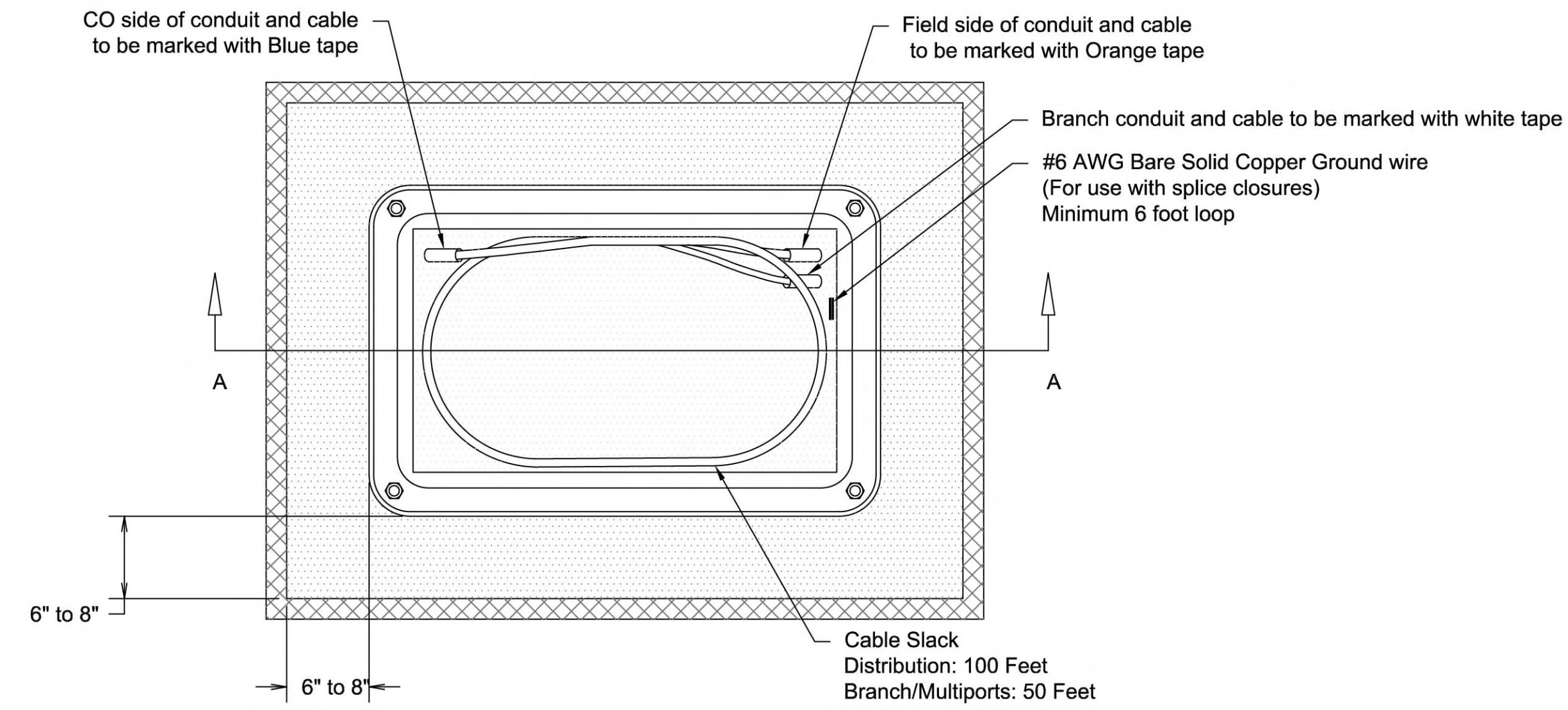
NOTES:

1. ALL STRANDS SHALL BE GROUNDED IN A MANNER AS REQUIRED BY NESC OR GO95 WHICHEVER APPLIES.
2. LOCAL ORDINANCES MAY CHANGE OR SUPERCEDE IN STRINGENCY, ANY NATIONAL OR STATE SPECIFICATIONS.
3. STRAND SHALL BE BONDED TO A VERTICAL GROUND EVERY FIRST, LAST, AND EVERY TENTH POLE (MAXIMUM DISTANCE BETWEEN GROUNDS NOT TO EXCEED 1320'), EVERY DOWN GUY POLE, AND EVERY CROSSOVER/BRANCH POLE IN A MANNER AS SPECIFIED BY EITHER NESC OR GO95, WHICHEVER APPLIES, AND BY THE LOCAL TELEPHONE COMPANY BUT NO LESS THAN THE MINIMUMS ALREADY DESCRIBED.
4. IF STRAND IS CUT OR BROKEN AT DOWN GUY LOCATION, BOND STRANDS TOGETHER USING #6 AWG COPPER WIRE AND TWO (2) BONDING CLAMPS.

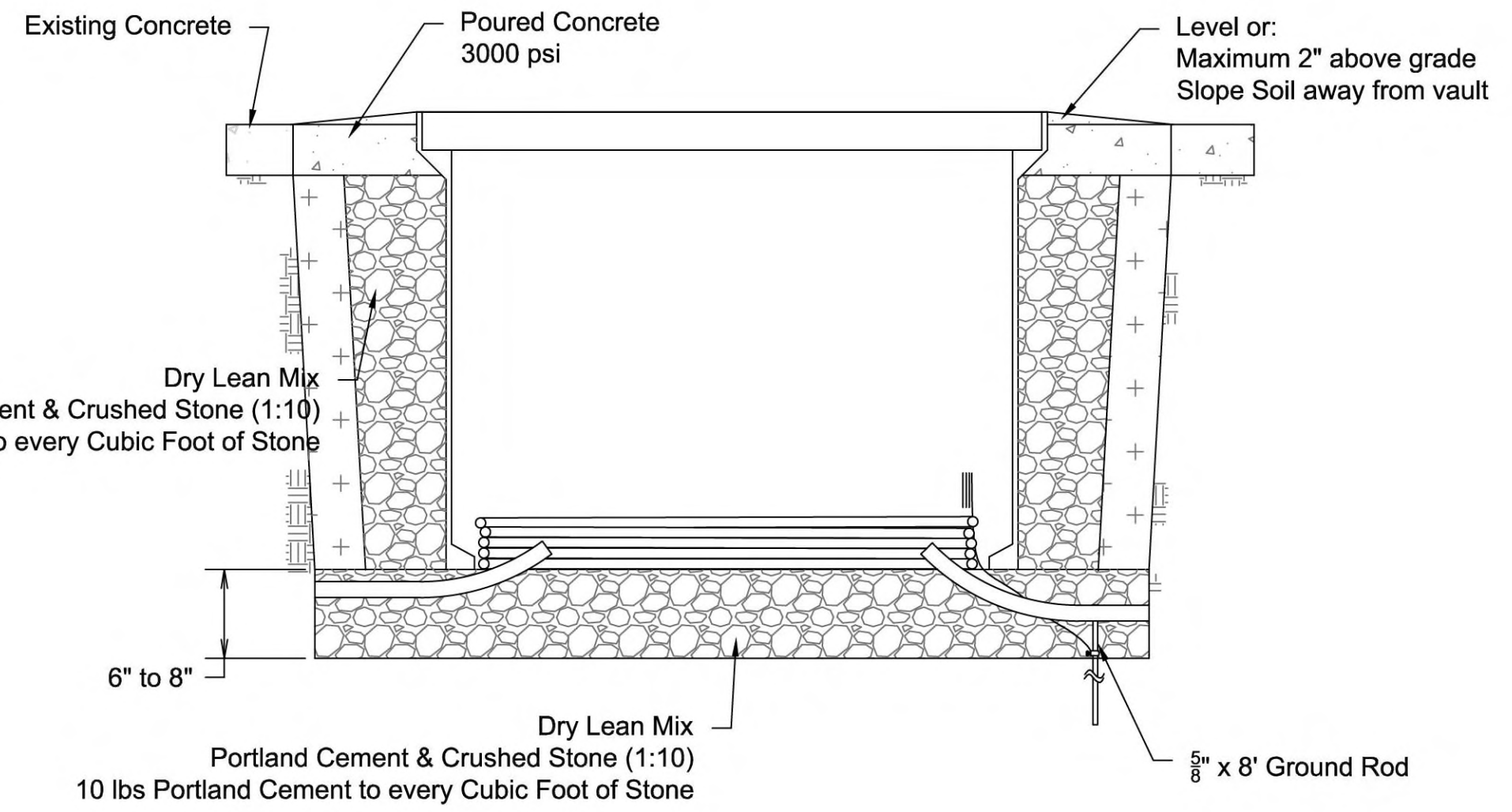
BONDING DETAIL DOWN GUY POLE

TYPICAL DETAIL N.T.S.

TYPICAL DETAILS		SHEET NO.
PROJECT NAME:	----	Z-502 OF 9
ORIGINAL DATE:	4 March 2026	
DRAWING NAME:	Z-502, VAULT DETAILS	

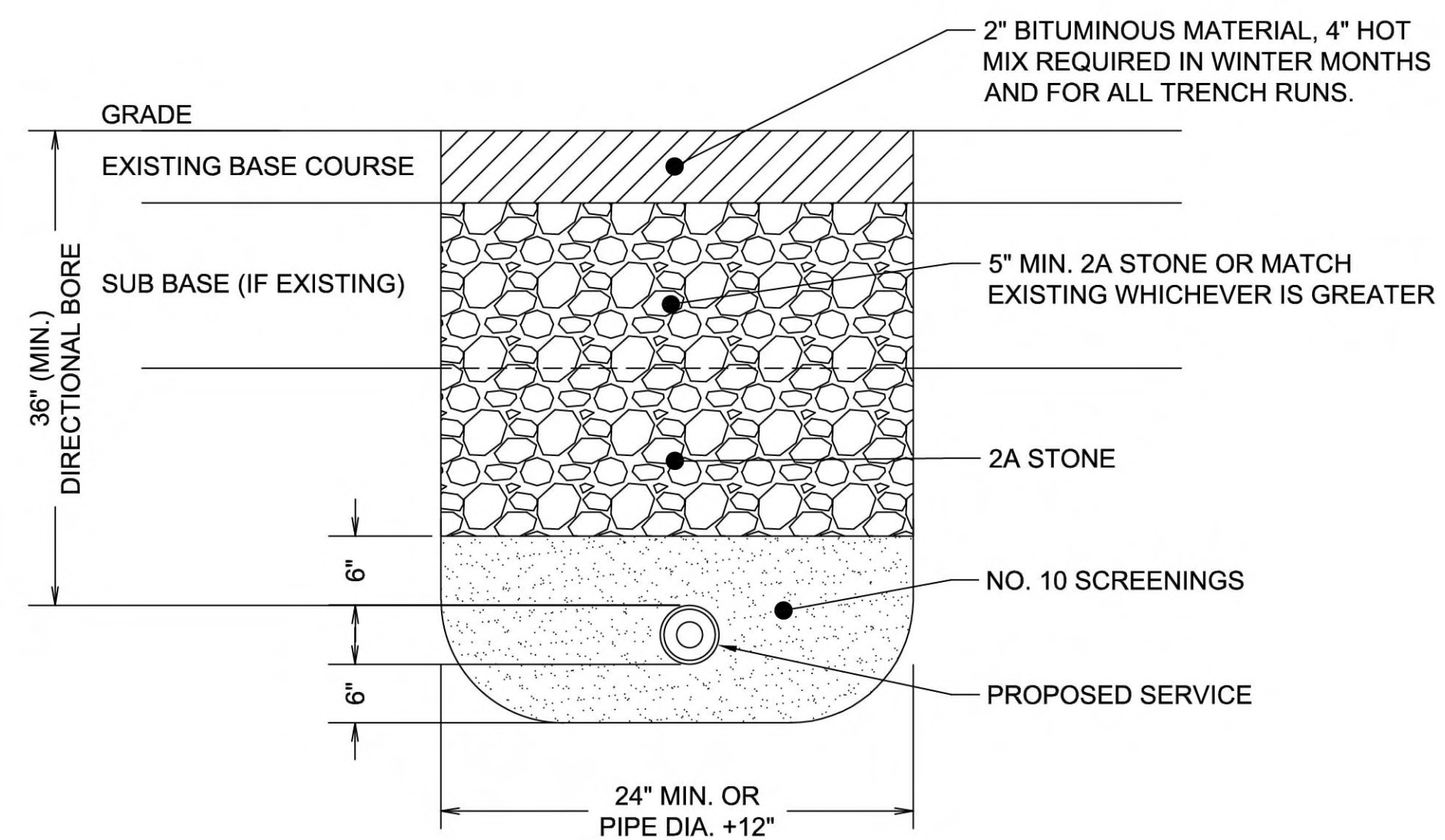


Greenway Installation



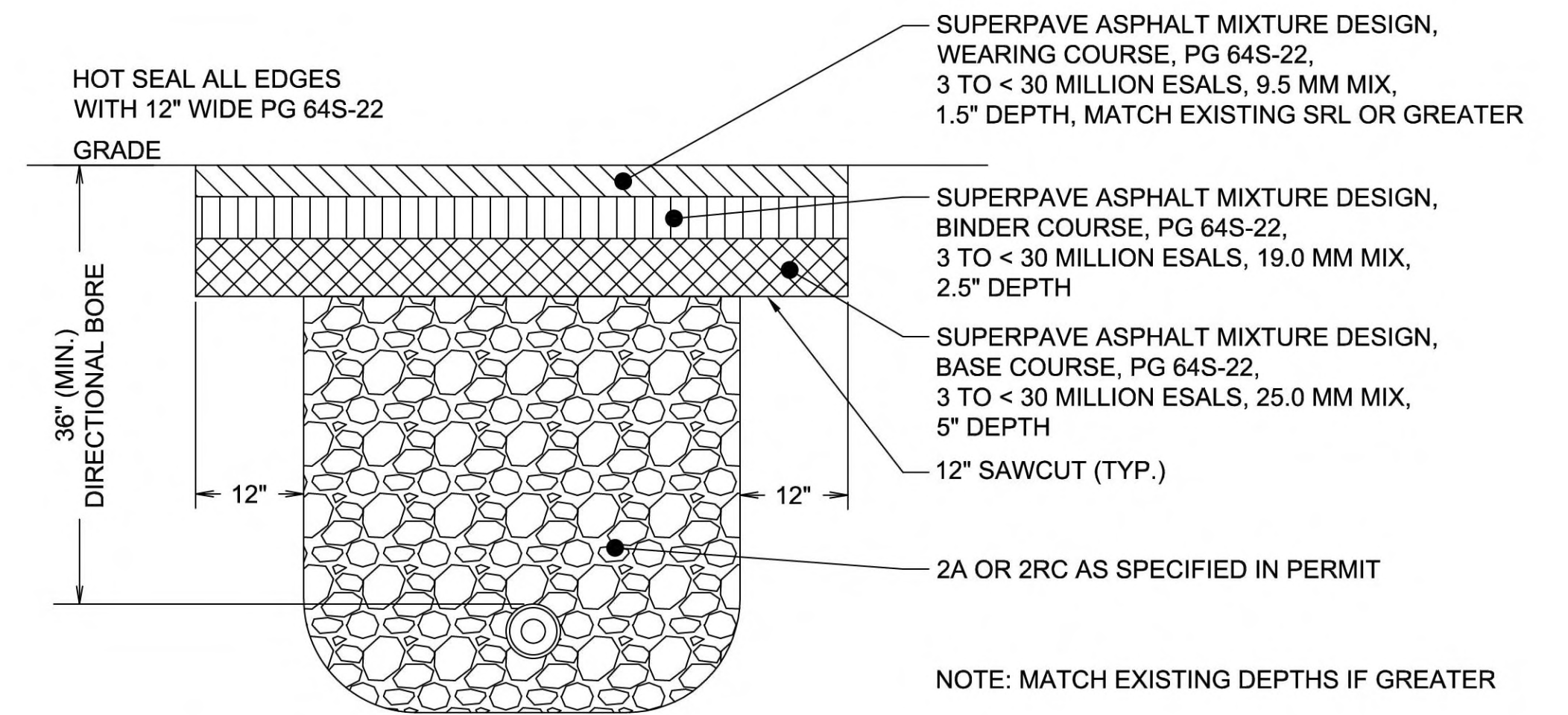
Pavement or Concrete Installation

TYPICAL DETAILS		SHEET NO.
PROJECT NAME:	----	Z-503 OF 9
ORIGINAL DATE:	4 March 2026	
DRAWING NAME:	Z-503, RESTORATION DETAILS	



TEMPORARY PAVEMENT RESTORATION DETAIL

SCALE: NTS

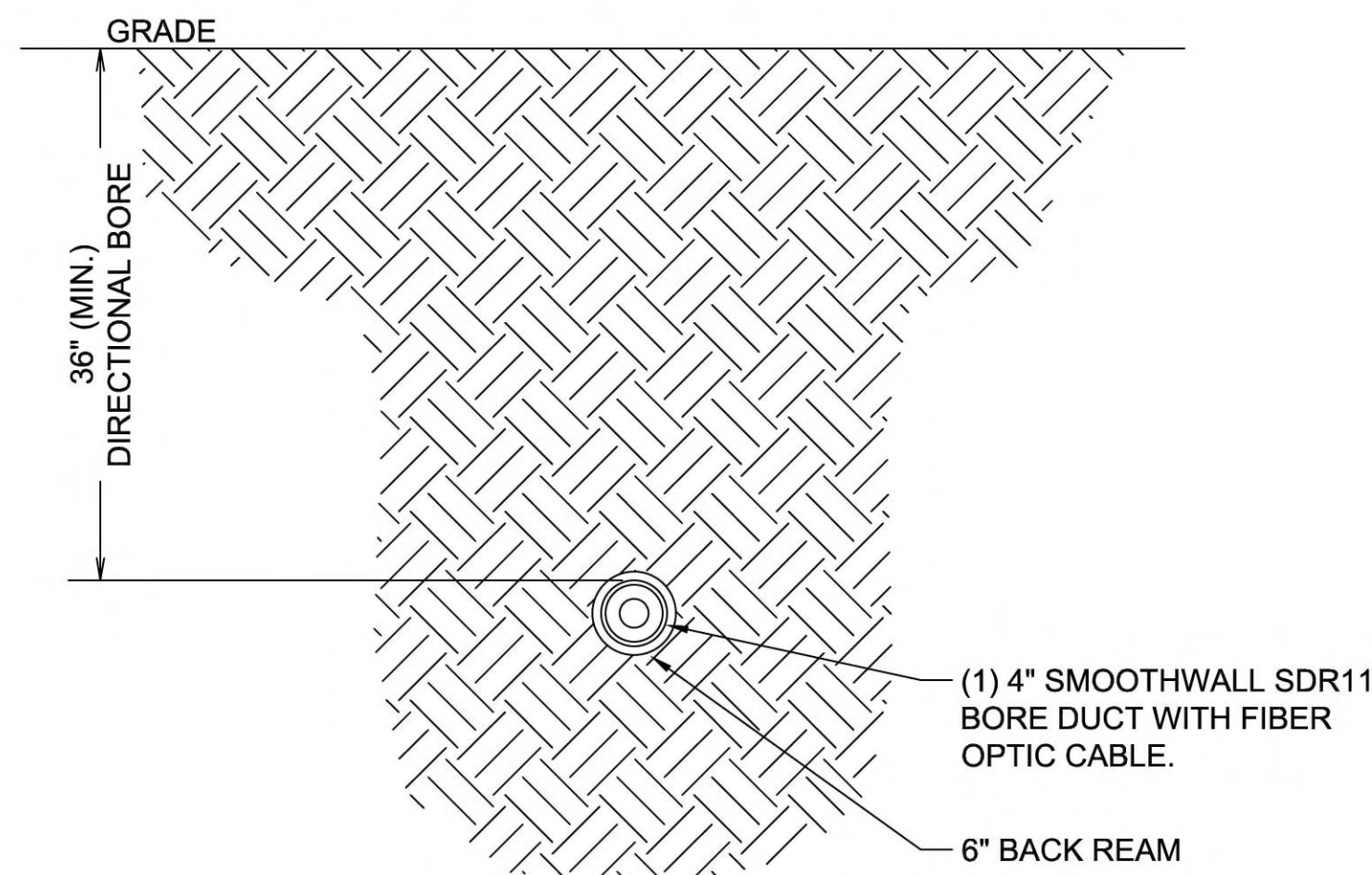


COMMENTS:

1. EXPOSED VERTICAL AND HORIZONTAL SURFACES SHALL BE PREPARED AS PER PUB 408, SECT. 413.3(G).
2. MIN. 12" PAVEMENT CUTBACK. EXCAVATE OLD AND TEMPORARY MATERIAL RECOMPACT SUBBASE, TACK COAT ALL VERTICAL EDGES. INSTALL ONLY BASE COURSE AND BINDER COURSE IN ONE DAY.

FLEXIBLE PAVEMENT RESTORATION DETAIL

SCALE: NTS

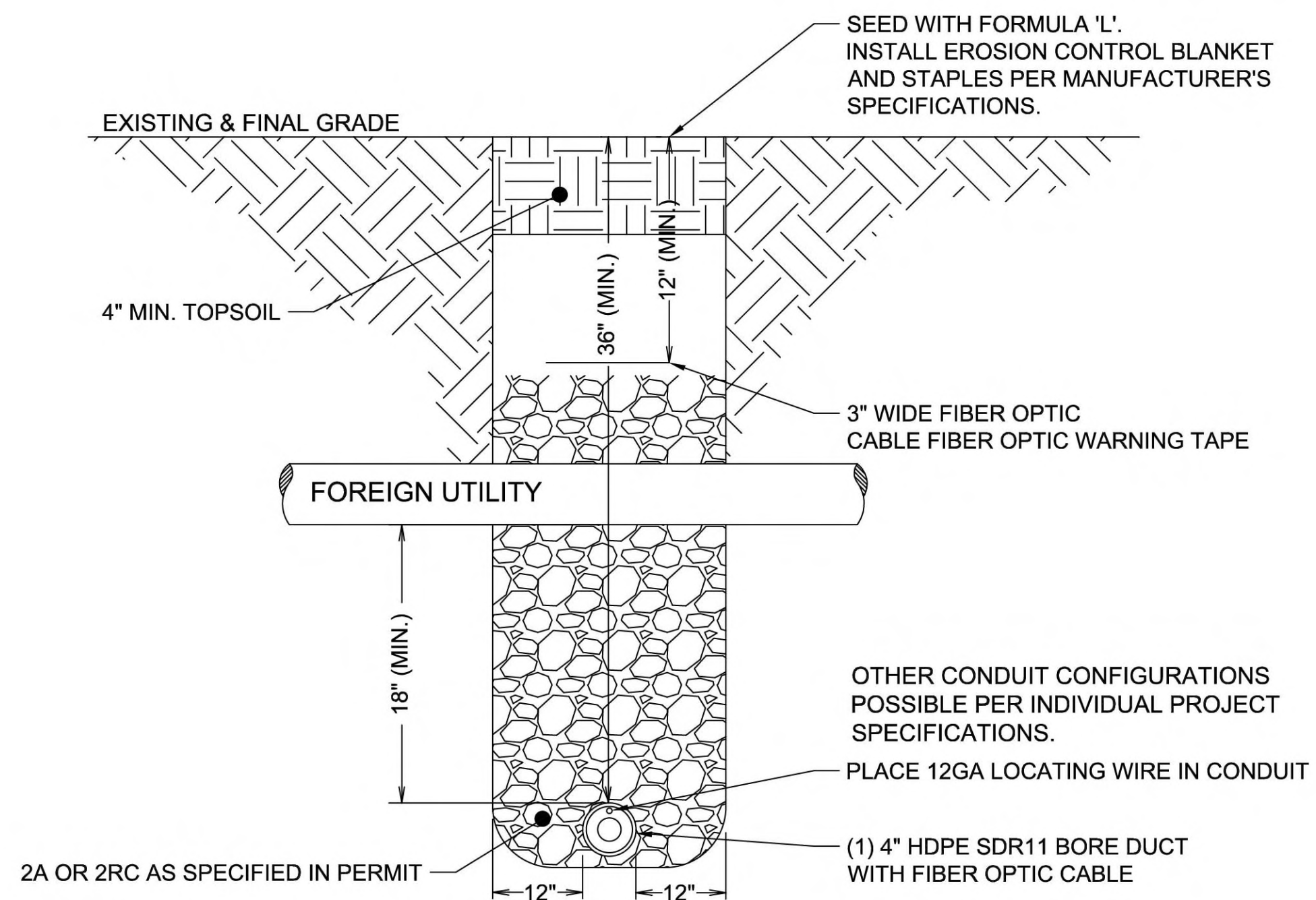


TYPICAL TRENCHLESS DETAIL

PLOWING OR DIRECTIONAL BORE
(1) 4.0" HDPE SDR 11 (SMOOTHWALL)
(GRASS/GRAVEL)

SCALE: NTS

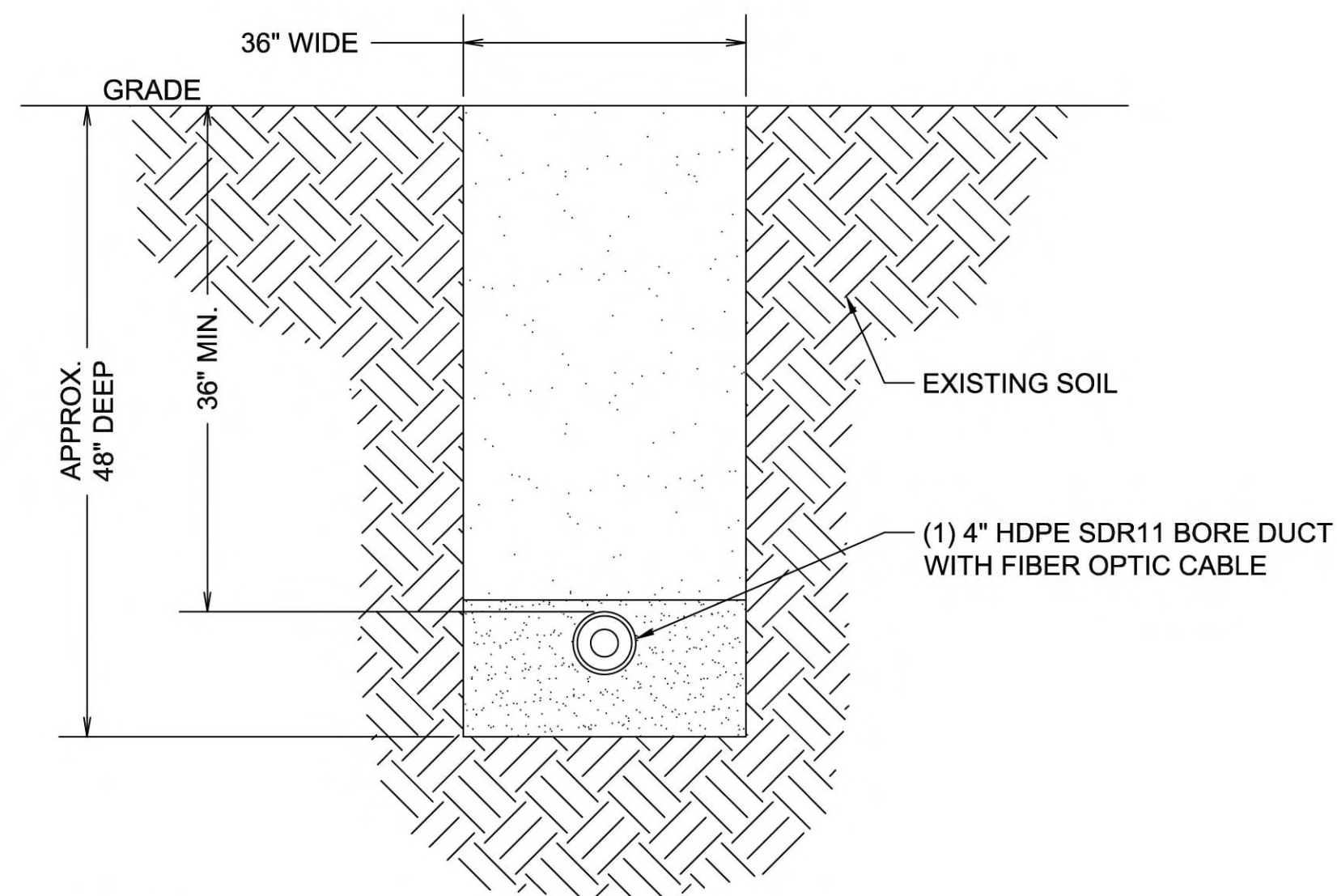
TYPICAL DETAILS		SHEET NO.
PROJECT NAME:	----	Z-504 OF 9
ORIGINAL DATE:	4 March 2026	
DRAWING NAME:	Z-504, PIT DETAILS	



NOTES:
 DISTURBED AREA SHALL BE PROMPTLY RESTORED TO THE EXTENT DIRECTED BY THE PERMITTING AUTHORITY AND WITH THE SAME CHARACTER AND MATERIAL, EQUAL IN COMPOSITION TO MATCH THE EXISTING ADJECENT AREA.

TRENCH DETAIL - UNPAVED AREAS

WITH (1) 4.0" I.D. HDPE SDR11 BORE DUCT - CONTAINING FOC
 SCALE: NTS

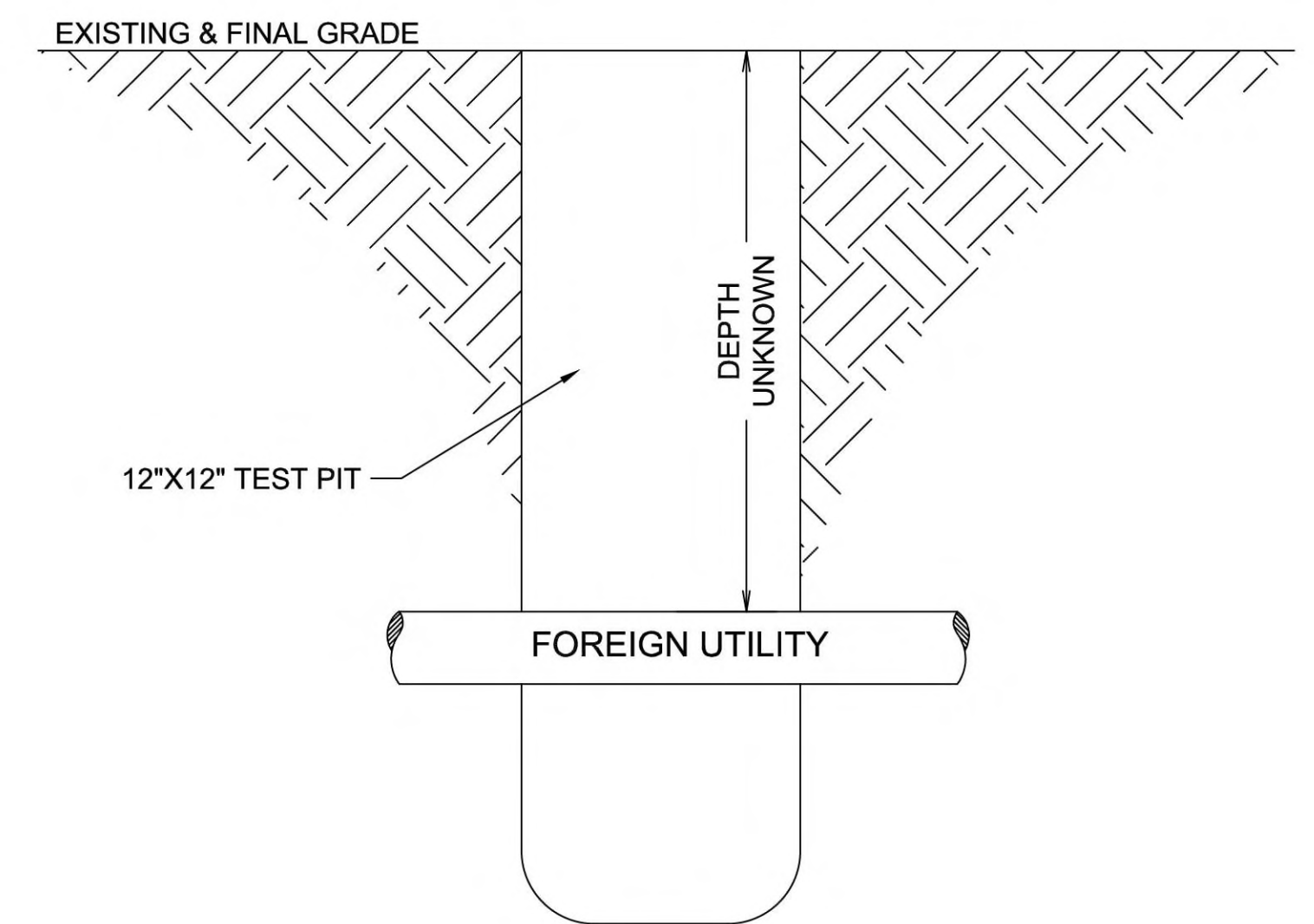


NOTES:

1. LENGTH OF PIT VARIES.
2. EXCAVATED MATERIAL REPLACED WITH 2RC OR 2A COARSE AGGREGATE.
3. MECHANICAL COMPACTION OF 6" LIFTS.
4. HAND DIG WHERE NECESSARY.

TYPICAL BORE PIT DETAIL

WITH (1) 4.0" I.D. HDPE SDR11 BORE DUCT -CONTAINING (1) FOC
 (GRASS/GRAVEL)
 SCALE: NTS



TYPICAL TEST PIT DETAIL - UNPAVED AREAS

SCALE: NTS